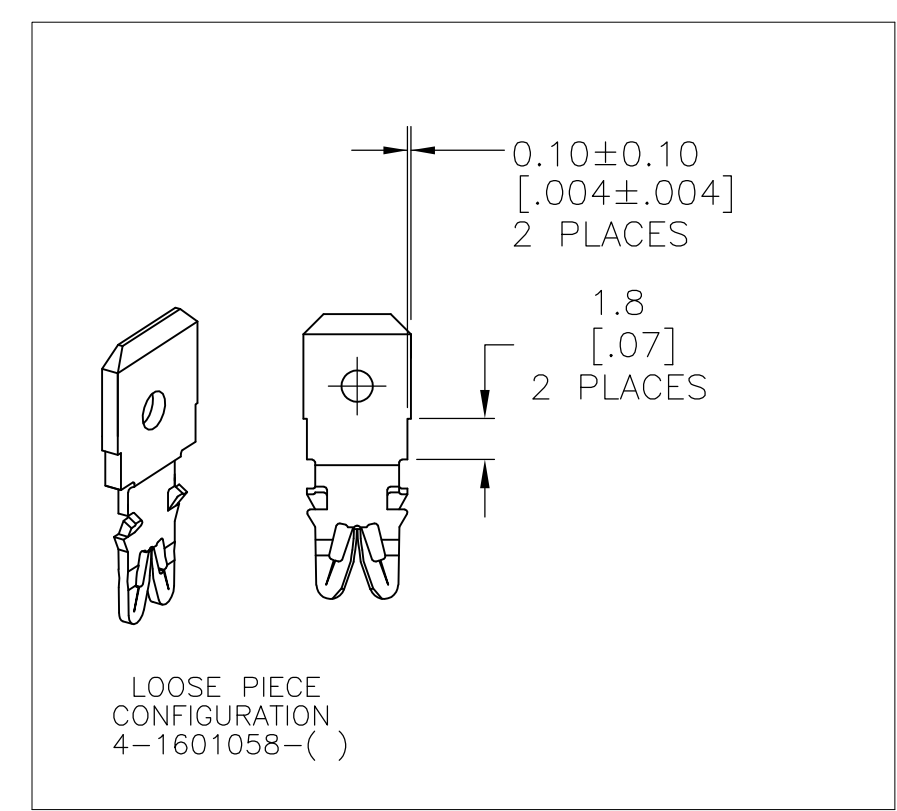
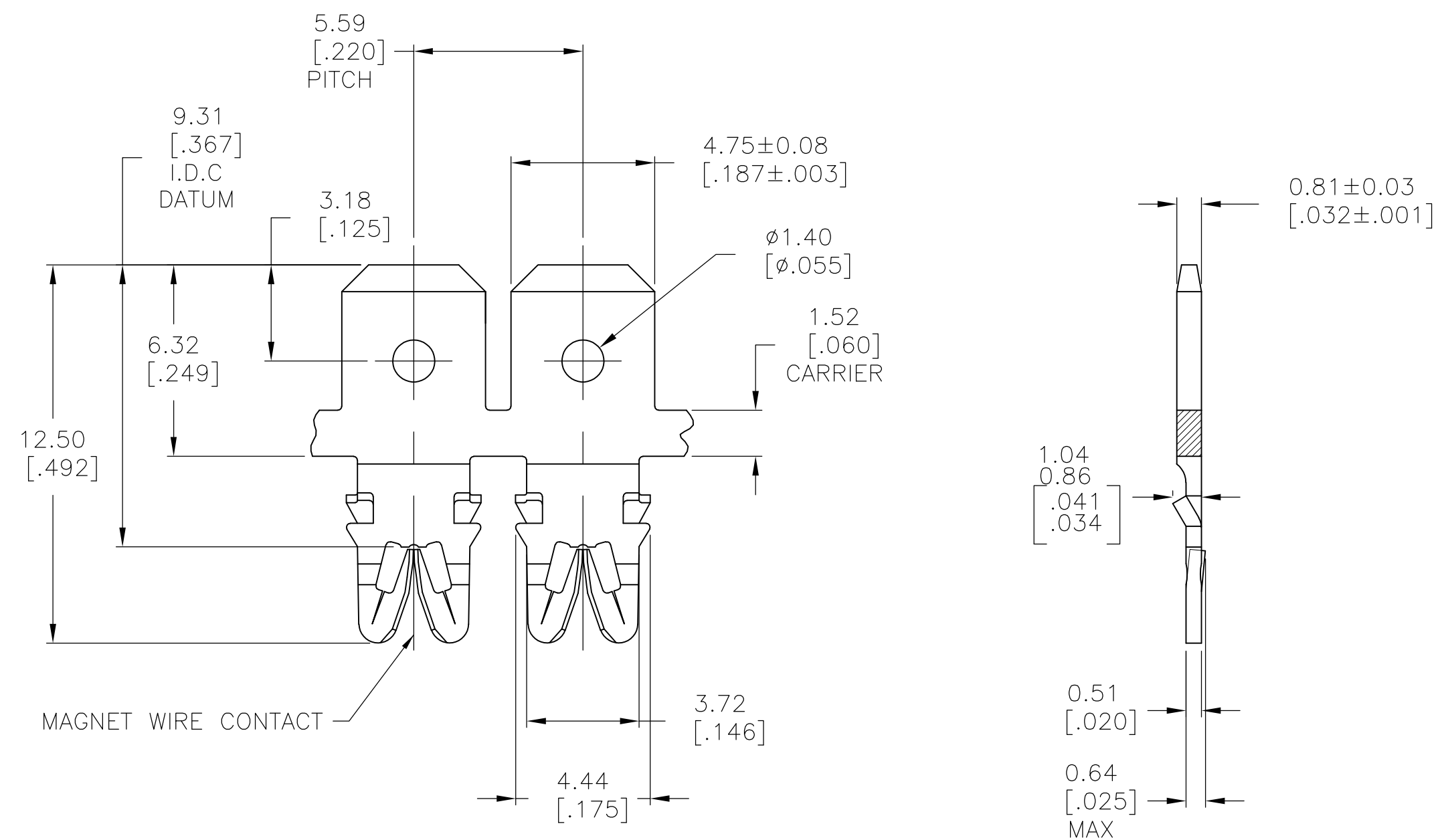


THIS DRAWING IS UNPUBLISHED. RELEASED FOR PUBLICATION  
 © COPYRIGHT BY TYCO ELECTRONICS CORPORATION. ALL RIGHTS RESERVED.

LOC		DIST		REVISIONS			
P	LTR	DESCRIPTION	DATE	DWN	APVD		
		D4	REVISED PER ECR-08-014019	09JUN08	HMR	GJ	

- 1 SPECIFICATIONS: MAGNET WIRE #18 - #34 AWG, 0.16MM(.006") - 1.02MM(.040") DIA COPPER. OTHER SIZES MAY BE ACCOMMODATED, CONSULT TYCO ELECTRONICS FOR APPROVAL.
- 2 POCKET RECOMMENDATION: #1601434
- 3 TERMINAL APPLICATION TO COMPLY WITH TYCO ELECTRONICS SPECIFICATION 114-13166 FIGURE 14.
- 4 PRELIMINARY - NOT FOR PRODUCTION.



FINISH	MATERIAL	REFERENCE PART NUMBER	PART NUMBER
PRE-TIN OVER COPPER	1/2 HARD BRASS	-	4-1601058-2
UNPLATED	1/2 HARD BRASS	-	4-1601058-1
UNPLATED	1/2 HARD COPPER ALLOY	-	1601058-3
PRE-TIN OVER COPPER	1/2 HARD BRASS	131-123-014	1601058-2

THIS DRAWING IS A CONTROLLED DOCUMENT.

DWN	J.WELLER	11JAN2002
CHK	M.FEHER	11JAN2002
APVD	K.RANDOLPH	11JAN2002

NAME: Tyco Electronics Corporation, Harrisburg, PA 17105-3608

PRODUCT SPEC: 108-2085

APPLICATION SPEC: 3

SIZE	A2	CAGE CODE	00779	DRAWING NO	C=1601058	RESTRICTED TO	-
SCALE	6:1	SHEET	1 of 1	REV	D4		

CUSTOMER DRAWING

1601058