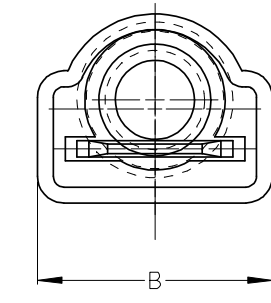
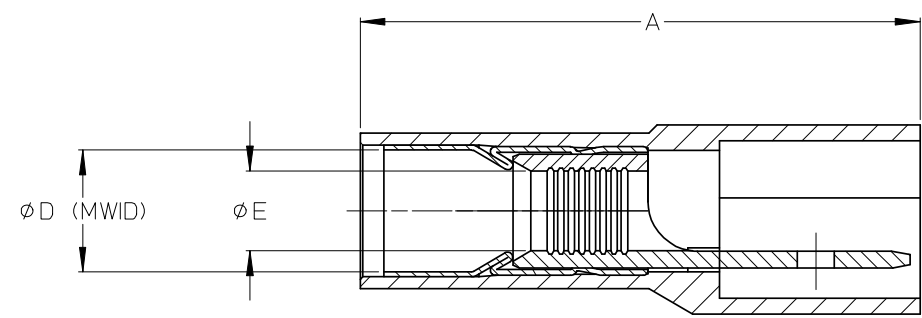
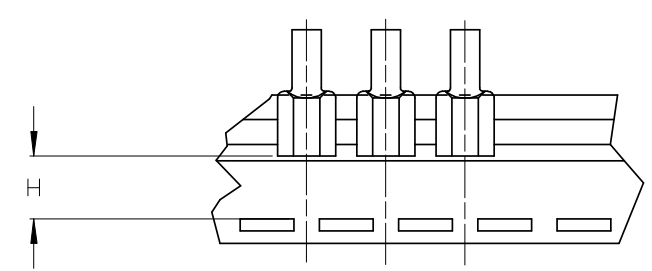
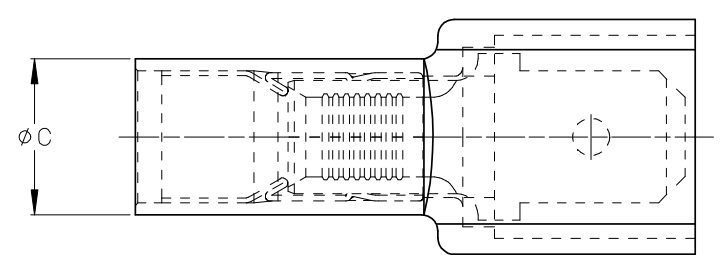


ASSEMBLY NUMBER		TAPE NUMBER		ITEM DESCRIPTION			DIMENSIONS					
MATERIAL NUMBER	ENGINEERING NUMBER	MATERIAL NUMBER	TAPE ENG. NUMBER	COLOR	WIRE GAUGE	TAB SIZE	'A' MAX	'B' MAX	'C' MAX	'D' MIN	'E' MIN	'H' REF
190010010	C-5264	190010011	C-5264T	YELLOW	12-10 AWG (3.09-5.01mm ²)	.250 x .032 (6.35 x 0.81)	1.08/27.4	.45/11.4	.31/7.9	.230/5.84	.144/3.66	.415/10.5



- Ⓑ NOTES:
1. TERMINAL MATERIAL: BRASS
 2. TERMINAL PLATING: ZINC CHROMATE
 3. HOUSING: 6/6 NYLON
 4. MWID: MAXIMUM WIRE INSULATION DIAMETER
 5. TAB DIMENSIONS CONFORM TO UL310 SPECIFICATIONS.
 6. ASSEMBLY IS ROHS COMPLIANT

REDRAW, MATERIALS EC NO: ETC2007-0081 DRAWN: EHILE 2008/01/28 CHKD: MACNEIL 2008/01/28 APPR: MACNEIL 2008/02/13	QUALITY SYMBOLS ▽=0 ▽=0	GENERAL TOLERANCES (UNLESS SPECIFIED)		DIMENSION STYLE IN/MM Ⓑ		SCALE 4:1	DESIGN UNITS INCH	THIRD ANGLE PROJECTION		
		4 PLACES	± ---	± ---	DRAWN BY ASAYDEH	DATE 2005/11/01	TITLE AVIKRIMP FULLY INSULATED MALE TAB			
		3 PLACES	± 0.005	± .005	CHECKED BY REDEROSS	DATE 2005/11/01				
		2 PLACES	± 0.13	± .01	APPROVED BY REDEROSS	DATE 2005/11/01	MOLEX INCORPORATED DOCUMENT NO. SD-19001-002 SHEET NO. 1 OF 1			
1 PLACE	± 0.25	± ---	MATERIAL NO. SEE CHART							
ANGULAR ± 1/2°				DRAFT WHERE APPLICABLE MUST REMAIN WITHIN DIMENSIONS						
SIZE B				THIS DRAWING CONTAINS INFORMATION THAT IS PROPRIETARY TO MOLEX INCORPORATED AND SHOULD NOT BE USED WITHOUT WRITTEN PERMISSION						