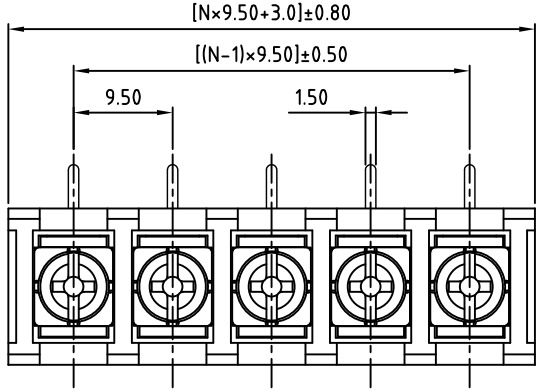


SIGN	DATE	DESCRIPTION	APPROVER
	2017.07.19	Updated pcb pin dimensions	
<i>THIS IS CAD DRAWING, DO NOT REVISE MANUALLY!!!</i>			



N=Number of poles

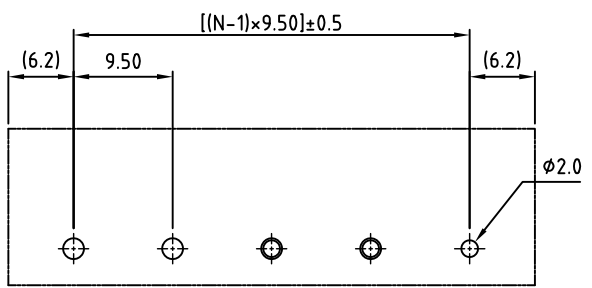
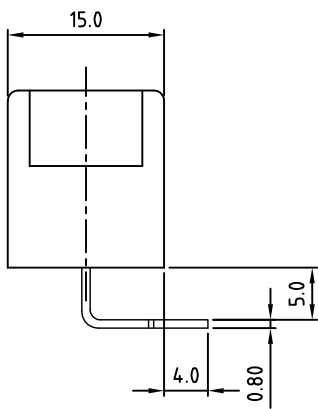
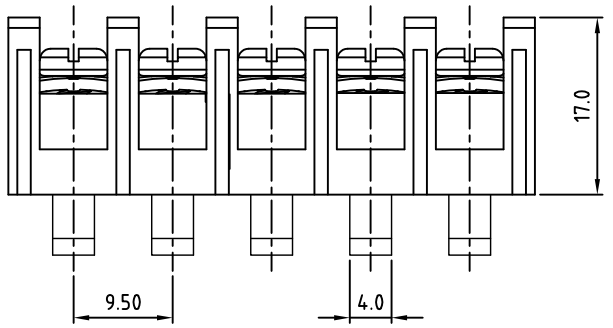
SPECIFICATIONS
VOLTAGE & CURRENT: 300 V, 20 A
WITHSTANDING VOLTAGE: AC 2000 V/Min
INSULATION RESISTANCE: 1000 MΩ OR MORE AT DC 500 V
TEMPERATURE RANGE: -40 °C ~+105 °C
SCREW TORQUE VALUE: 12 Lb-In.
WIRE RANGE: 22 - 12AWG
1) MOLDED PARTS: THERMOPLASTIC, UL 94 V-0 BLACK
2) TERMINAL: BRASS, 0.8t, Tin PLATED
3) TERMINAL SCREWS: STEEL, Ni PLATED, M3.5

APPROVAL:

RoHS Compliant

PART NUMBER: OSTYK503XX030

NO. OF POLES
 02: 2 POLES
 03: 3 POLES
 04: 4 POLES
 ...
 30: 30 POLES



P.C.B LAYOUT

THESE DRAWINGS AND SPECIFICATIONS ARE THE PROPERTY OF ON-SHORE TECHNOLOGY, INC. AND SHALL NOT BE REPRODUCED, COPIED OR USED IN ANY MANNER WITHOUT THE PRIOR WRITTEN CONSENT OF ON-SHORE TECHNOLOGY, INC.



TITLE		OSTYK-503 Without Flange & W/O Cover Series				
PART NO.		OSTYK503XX030		DWG NO.		OSTYK503XX030.DWG
APPROVED	CHECKED	DESIGNED	DRAWN	CUST NO.	Tolerance	
Shi Jun 2007.07.18	Seamus 2007.07.18	LUCY 2007.7.18	LUCY 2007.7.18		X. ±0.50	
					UNIT: mm	
					SCALE: NONE	
				SHEET: 01/01	REV.: B	
				X.X ±0.30		
				X.XX ±0.10		
				X° ±1°		