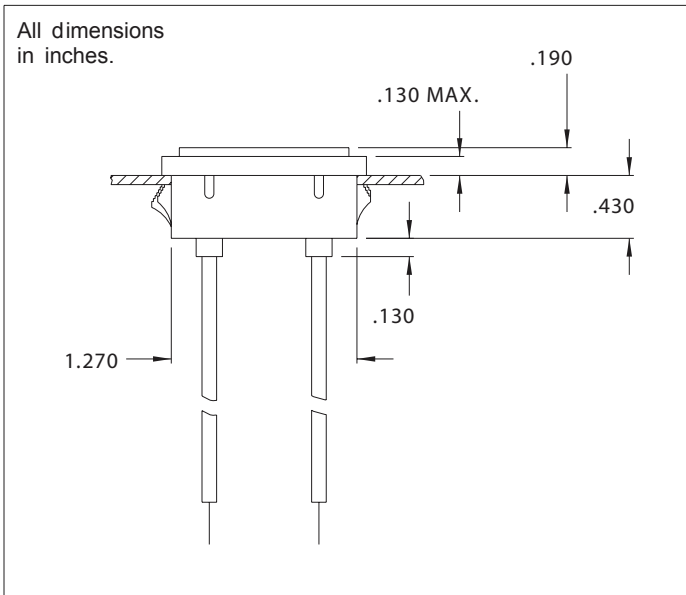


2330D and 2332D Series Non-Relampable Neon Indicator Light

Description and Features



Mounting: Will snap-fit into Ø.032/.100 thick panels.
Use speednut for other panel thicknesses.

Wire Leads: No. 22 AWG (105°C) 4.40/4.80 long,
stripped .430/.570

Lens: Polycarbonate

Anode(+): Red lead

Bezel: Polished stainless steel.

Lens Color	Neon
	Model No. (105-125VAC)
Red	2330D1
Green	2332D5*
Lamp used	C2A+Resistor

*Incorporates G2B lamp and resistor

Underwriters Laboratories (UL) File No. E20356