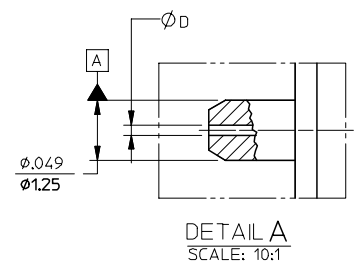
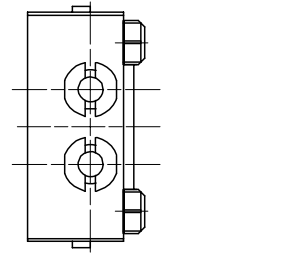
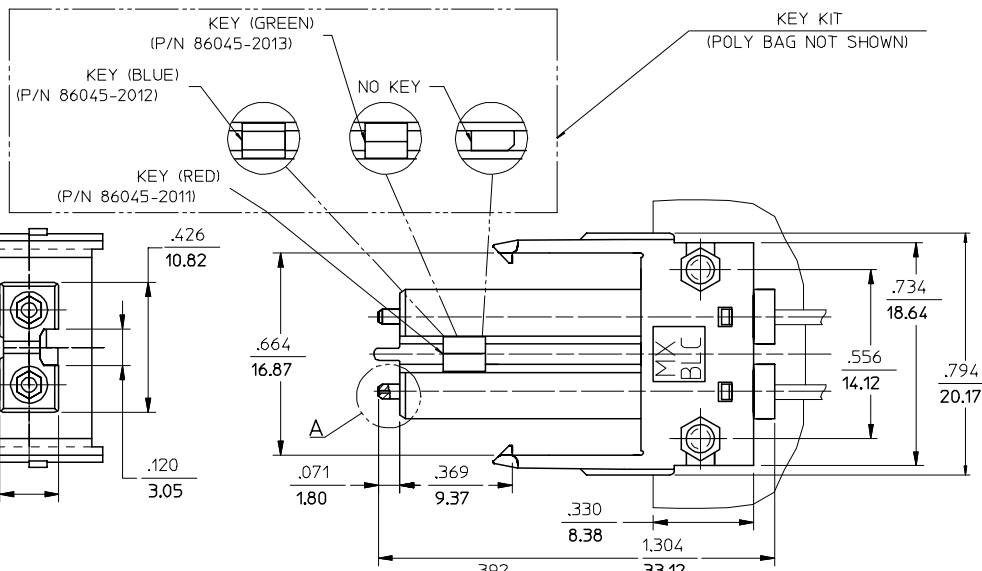
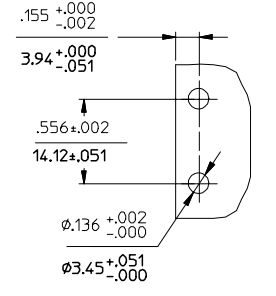
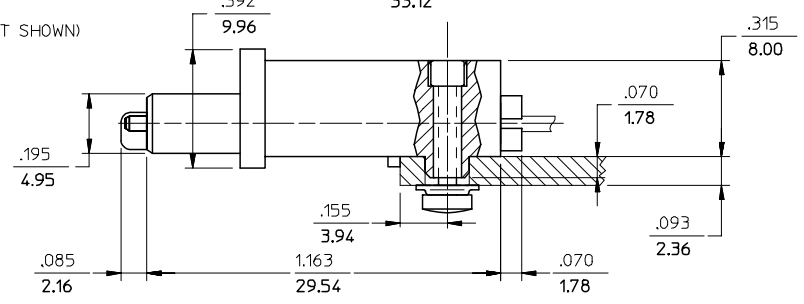


CONNECTOR P/N	ØD (Hm)
106045-2200	125.50
106045-3000	127.00
106045-4200	125.00
106045-5000	126.00
106045-6200	125.25



(DUST CAP NOT SHOWN)



NOTES:
 1. KEYS ARE TO BE PACKAGED UNASSEMBLED WITH CONNECTOR IN POLY BAG.

ENTER DESCRIPTION EC NO: MF2007-0349 DRWN:KPEVNER CHKD: 2006/11/28 APPR:IGUMIN 2006/12/04 A2	QUALITY SYMBOLS ▽=0 ▽=0	GENERAL TOLERANCES (UNLESS SPECIFIED) mm INCH 4 PLACES ± --- ± --- 3 PLACES ± --- ± --- 2 PLACES ± --- ± --- 1 PLACE ± --- ± --- ANGULAR ±1/2°	DIMENSION STYLE IN/MM DRAWN BY: PGIBL IN DATE: 2005/10/18 CHECKED BY: DATE APPROVED BY: DATE	SCALE 4:1 DESIGN UNITS INCH THIRD ANGLE PROJECTION	TITLE BLC CONNECTOR (2 POSITION)
	DRAFT WHERE APPLICABLE MUST REMAIN WITHIN DIMENSIONS		MATERIAL NO. SEE TABLE	DOCUMENT NO. SD-106045-ZZZO	SHEET NO. 1 OF 01
	MOLEX INCORPORATED				
	THIS DRAWING CONTAINS INFORMATION THAT IS PROPRIETARY TO MOLEX INCORPORATED AND SHOULD NOT BE USED WITHOUT WRITTEN PERMISSION				