

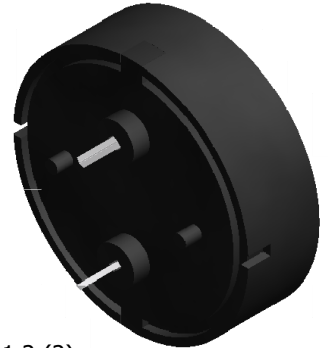
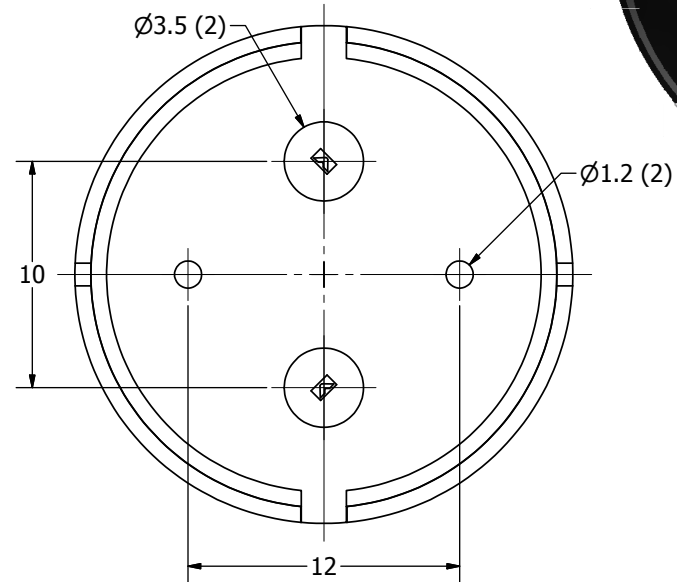
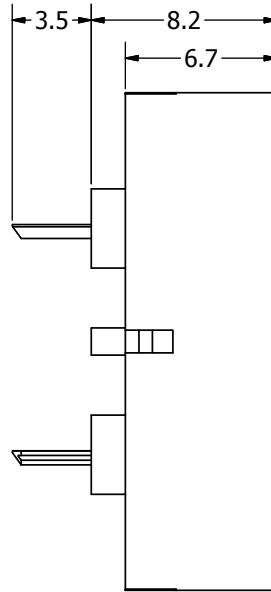
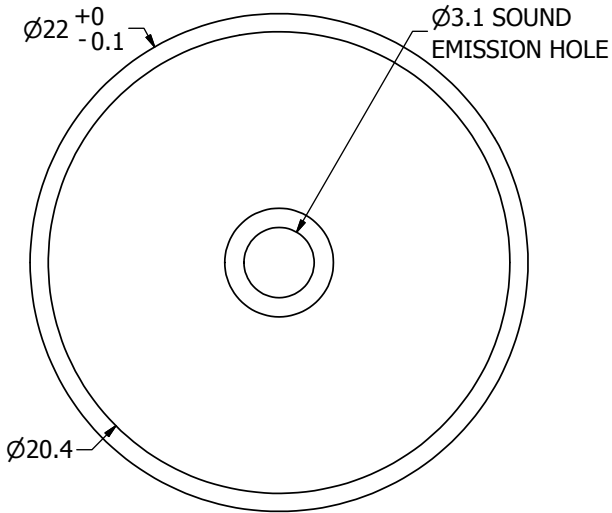
SPECIFICATIONS

PARAMETERS	VALUES	UNITS
RATED VOLTAGE	3	Vp-p
OPERATING VOLTAGE RANGE	1 ~ 30	Vp-p
RATED CURRENT (MAX)	3	mA
CAPACITANCE	25,000 ± 30%	pF
MINIMUM SPL @ 10 CM	75	dBA
RESONANT FREQUENCY	3,500 ± 500	Hz
OPERATING TEMPERATURE	-40 ~ +90	°C
STORAGE TEMPERATURE	-30 ~ +105	°C
HOUSING MATERIAL	PPS	-
TERMINAL MATERIAL	Sn PLATED COPPER	-
WEIGHT	2.5	grams

THIS DOCUMENT CONTAINS DATA PROPRIETARY TO PROJECTS UNLIMITED, INC. ANY USE OR REPRODUCTION, IN ANY FORM, WITHOUT PRIOR WRITTEN PERMISSION OF PROJECTS UNLIMITED, INC. IS PROHIBITED.
©2003, Projects Unlimited Inc.

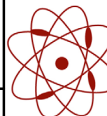
REVISION HISTORY

LTR	DESCRIPTION	DATE	APPROVED
-	RELEASED FROM ENGINEERING	1/31/2006	
A	REVISED TO INVENTOR 3-D DRAWING TEMPLATE	8/6/2008	B.R.



NOTES:

1. ALL DIMENSIONS ARE IN MILLIMETERS.
2. SPECIFICATIONS SUBJECT TO CHANGE OR WITHDRAWL WITHOUT NOTICE.
3. THIS PART IS RoHS 2002/95/EC COMPLIANT.
4. REFLOWABLE TO 260°C

UNLESS OTHERWISE SPECIFIED: DIMENSIONS ARE IN MILLIMETERS, TOLERANCES ARE ± 0.5 AND ANGLES ARE $\pm 3^\circ$.	SIZE	Designed by	Date	Checked by	Date	Approved by	Date	Drawn Date	
	A3	J.A.F.	1/31/2006	B.R.	1/31/2006	E.P.	1/31/2006	8/6/2008	
AT-2235-TT-R.idw		 pui audio a projects unlimited company			AT-2235-TT-R Transducer (Piezo)			Edition -	Sheet 1 / 1