

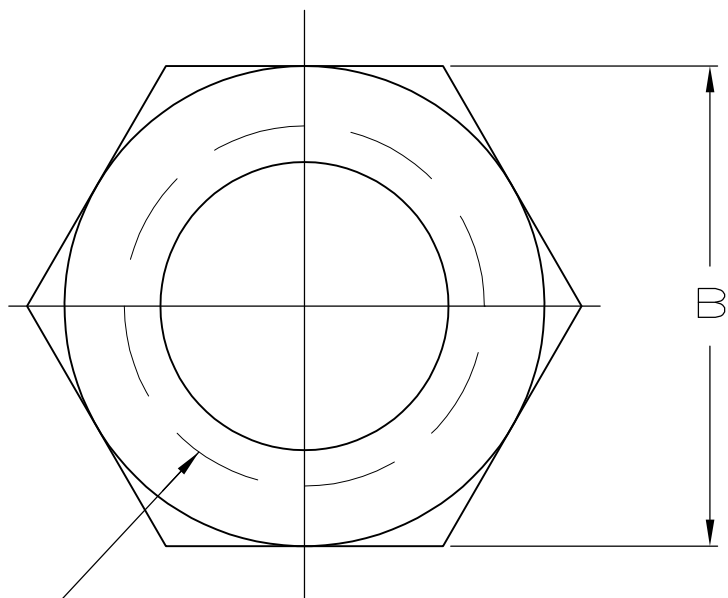
THIS DRAWING IS UNPUBLISHED.

RELEASED FOR PUBLICATION

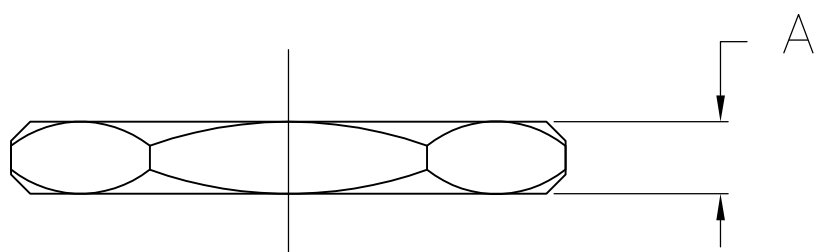
© COPYRIGHT - By -

ALL RIGHTS RESERVED.

LOC	DIST	REVISIONS					
AJ	16	P	LTR	DESCRIPTION	DATE	DWN	APVD
			H1	REVISED PER ECO-11-005030	23MAR11	RK	HMR



SEE TABLE FOR THREADS



- ① SILVER PL PER QQ-S-365, 2.54μm [.000100] MIN THICK.
- ② NICKEL PL PER QQ-N-290, 2.54μm [.000100] MIN THICK.
- ③ BRASS PER QQ-B-626
- ④ SEE SEPERATE RESTRICTED CUSTOMER DRAWING WITH THIS PART NUMBER.
- ⑤ BLACK NICKEL PLATE.

④	.433±.006	1.91 [.075]	3/8-24 UNEF-2B	②	2-330249-2
	.496±.008	1.91 [.075]	3/8-24 UNEF-2B	⑤	1-330249-8
	.496±.008	2.36 [.093]	3/8-32 UNEF-2B	②	1-330249-7
	-	-	-	-	1-330249-5
	.496±.008	1.91 [.075]	3/8-24 UNEF-2B	②	1-330249-4
	.496±.008	3.18 [.125]	3/8-32 UNEF-2B	②	1-330249-1
	.496±.008	3.18 [.125]	3/8-32 UNEF-2B	①	330249
	B	A	THREADS	FINISH	PART NUMBER

THIS DRAWING IS A CONTROLLED DOCUMENT.		DWN M. SNEED 6-26-91	STE TE Connectivity		
		CHK R. HENRY 6-26-91			
DIMENSIONS: INCHES		TOLERANCES UNLESS OTHERWISE SPECIFIED:		NAME JAM NUT	
		0 PLC ± -	PRODUCT SPEC		RESTRICTED TO
		1 PLC ± -	APPLICATION SPEC		
MATERIAL		2 PLC ± -	SIZE	CAGE CODE	DRAWING NO
①		3 PLC ± 0.41 [.016]	A3 00779		C-330249
FINISH		4 PLC ± -	WEIGHT		SCALE
SEE TABLE		ANGLES ± -	-		5:1
			CUSTOMER DRAWING		SHEET
					1 OF 1
					REV H1