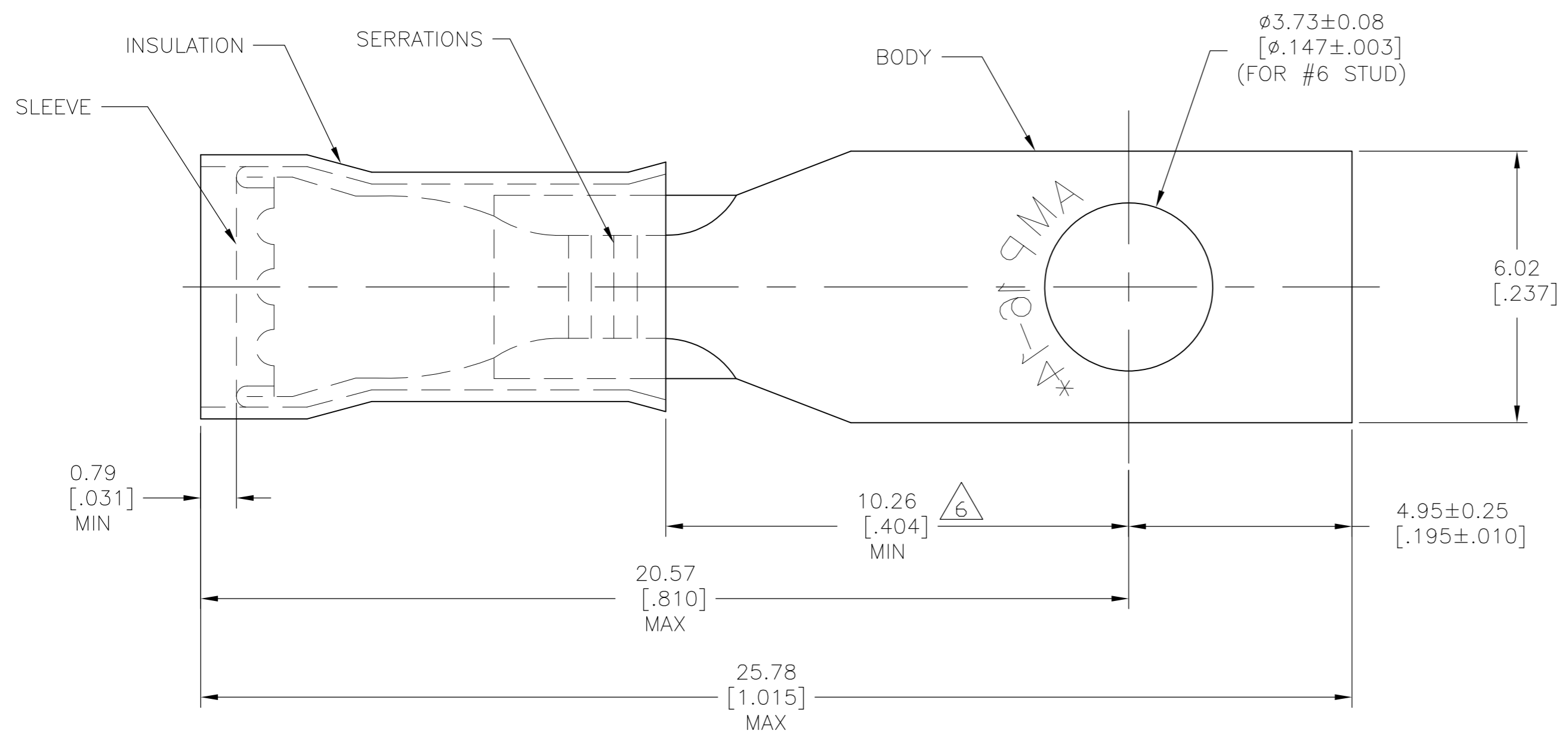


THIS DRAWING IS UNPUBLISHED. RELEASED FOR PUBLICATION
 © COPYRIGHT BY TYCO ELECTRONICS CORPORATION. ALL INTERNATIONAL RIGHTS RESERVED.

LOC		DIST		REVISIONS			
P	LTR	DESCRIPTION		DATE	DWN	APVD	
G	14	P2		REVISED PER ECR-09-026553	04DEC09	JR	TM



- 1 WIRE INSULATION DIAMETER: SEE TABLE
- 2 TONGUE MATERIAL THK: $0.79 \pm .05$ $[\ .031 \pm .002]$
- 3 FINISH: 0.00254 $[\ .000100]$ MIN THK TIN PLATE (ASTM-B545)
- 4 PVC - BLUE
- 5 NYLON ASTM-D4066 TYPE 1 - BLUE
- 6 APPLIES FROM THE METAL EDGE OF THE BARREL TO THE CENTER OF THE STUD
- 7 MEETS MS17143-14, CLASS 1 & 2

OBSOLETE	3	5	2.67-3.81 [.105-.150]	100	ON TAPE, SMALL BOX	2-327958-7
SUPERSEDED BY 2-327958-1	3	5	2.67-3.81 [.105-.150]	1000	ON TAPE, LARGE BOX	2-327958-6
SUPERSEDED BY 2-327958-4	3	5	2.67-3.81 [.105-.150]	5000	ON TAPE, REEL	2-327958-5
	3	5	2.67-3.81 [.105-.150]	-	LOOSE PIECE	7 2-327958-4
OBSOLETE	3	5	2.92-4.32 [.115-.170]	5000	ON TAPE, REEL	2-327958-2
	3	5	2.92-4.32 [.115-.170]	-	LOOSE PIECE	2-327958-1
SUPERSEDED BY 2-327958-1	3	4	2.92-4.32 [.115-.170]	-	LOOSE PIECE	327958

BODY FINISH	INSULATION MATERIAL	WIRE INSULATION DIAMETER	QTY	DESCRIPTION	PART NO																														
THIS DRAWING IS A CONTROLLED DOCUMENT.																																			
DIMENSIONS: mm [INCHES]			TOLERANCES UNLESS OTHERWISE SPECIFIED:																																
<table border="0"> <tr><td>0 PLC</td><td>± -</td></tr> <tr><td>1 PLC</td><td>± -</td></tr> <tr><td>2 PLC</td><td>± -</td></tr> <tr><td>3 PLC</td><td>± 0.20 [.008]</td></tr> <tr><td>4 PLC</td><td>± -</td></tr> <tr><td>ANGLES</td><td>± -</td></tr> </table>			0 PLC	± -	1 PLC	± -	2 PLC	± -	3 PLC	± 0.20 [.008]	4 PLC	± -	ANGLES	± -	<table border="0"> <tr><td>DWN</td><td>RAGHAVENDRA</td><td>01SEP09</td></tr> <tr><td>CHK</td><td>JEFF RUTH</td><td>01SEP09</td></tr> <tr><td>APVD</td><td>TOM MICHELUTTI</td><td>01SEP09</td></tr> <tr><td>PRODUCT SPEC</td><td colspan="2">-</td></tr> <tr><td>APPLICATION SPEC</td><td colspan="2">-</td></tr> <tr><td>WEIGHT</td><td colspan="2">-</td></tr> </table>			DWN	RAGHAVENDRA	01SEP09	CHK	JEFF RUTH	01SEP09	APVD	TOM MICHELUTTI	01SEP09	PRODUCT SPEC	-		APPLICATION SPEC	-		WEIGHT	-	
0 PLC	± -																																		
1 PLC	± -																																		
2 PLC	± -																																		
3 PLC	± 0.20 [.008]																																		
4 PLC	± -																																		
ANGLES	± -																																		
DWN	RAGHAVENDRA	01SEP09																																	
CHK	JEFF RUTH	01SEP09																																	
APVD	TOM MICHELUTTI	01SEP09																																	
PRODUCT SPEC	-																																		
APPLICATION SPEC	-																																		
WEIGHT	-																																		
MATERIAL BODY & SLEEVE COPPER (ASTM-B152)		FINISH SEE TABLE		<table border="0"> <tr><td>SIZE</td><td>A2</td></tr> <tr><td>CAGE CODE</td><td>00779</td></tr> <tr><td>DRAWING NO</td><td>C=327958</td></tr> <tr><td>RESTRICTED TO</td><td>-</td></tr> </table>		SIZE	A2	CAGE CODE	00779	DRAWING NO	C=327958	RESTRICTED TO	-																						
SIZE	A2																																		
CAGE CODE	00779																																		
DRAWING NO	C=327958																																		
RESTRICTED TO	-																																		
CUSTOMER DRAWING			SCALE	10:1	SHEET 1 of 1																														