

4

3

2

1

THIS DRAWING IS UNPUBLISHED.

RELEASED FOR PUBLICATION

20

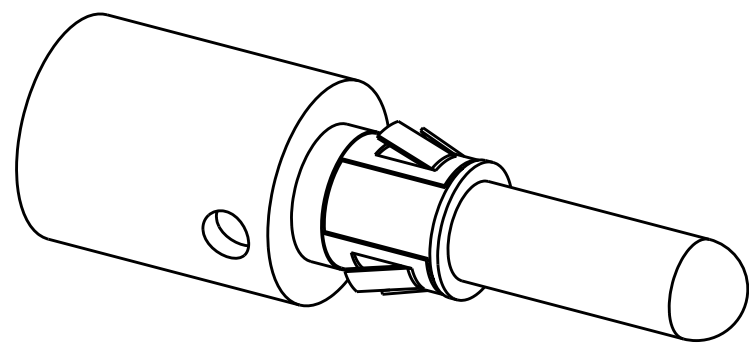
© COPYRIGHT 20

BY TYCO ELECTRONICS CORPORATION. ALL INTERNATIONAL RIGHTS RESERVED.

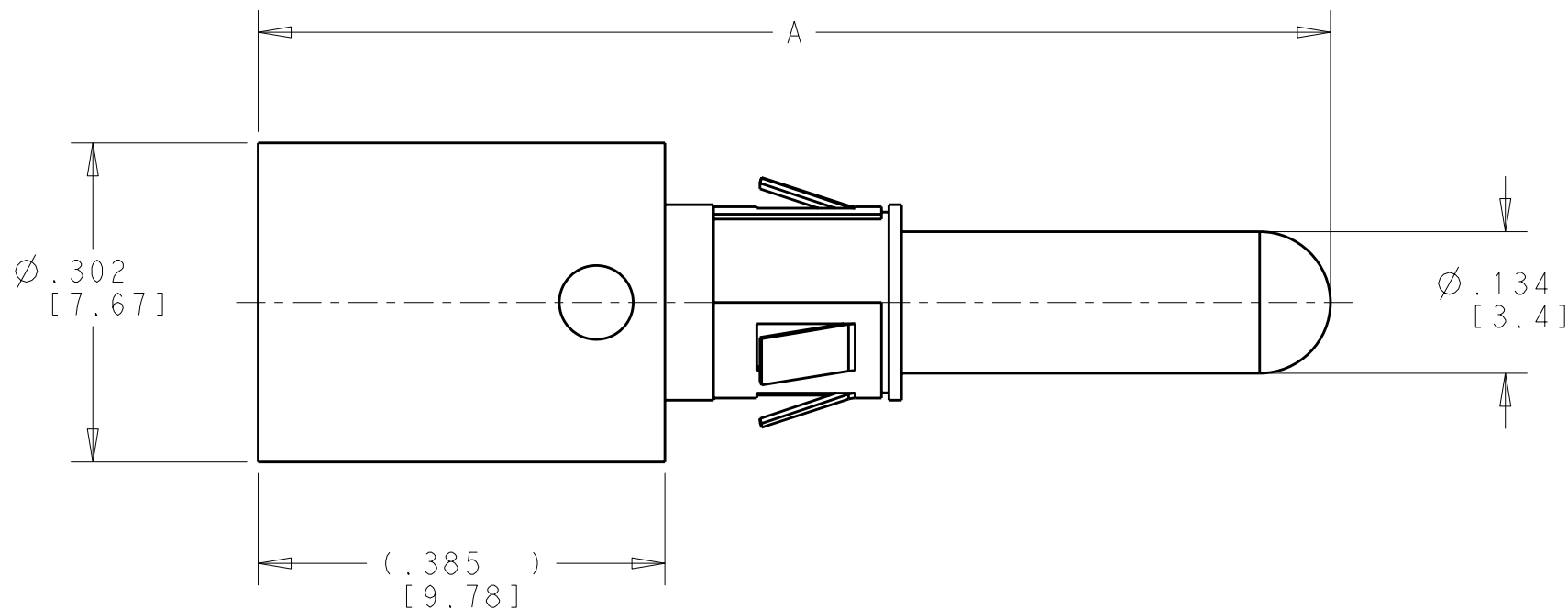
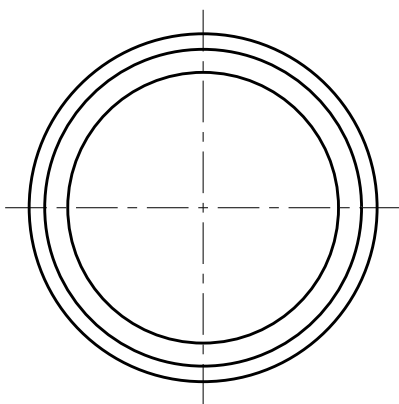
LOC GP DIST 00

REVISIONS

P	LTR	DESCRIPTION	DATE	DWN	APVD
	A	RELEASED PER ECO-10-010387	24MAY2010	RG	DO



SCALE 4:1



1 MATERIAL:  
 PIN BODY: COPPER ALLOY  
 RETENTION CLIP: STAINLESS STEEL

2 FINISH:  
 PIN BODY: GOLD PLATE .000030 (0.76µm) MIN THK GOLD OVER  
 .000050 (1.27µm) MIN THK NICKEL

3. WIRE BARREL WILL ACCEPT No. 6 AWG WIRE

4. MATES WITH P/N 1986611-1

1.015 [25.8]	1986605-2
.975 [24.8]	1986605-1
DIM "A"	PART NO.

THIS DRAWING IS A CONTROLLED DOCUMENT FOR TYCO ELECTRONICS CORPORATION. IT IS SUBJECT TO CHANGE AND THE CONTROLLING ENGINEERING ORGANIZATION SHOULD BE CONTACTED FOR THE LATEST REVISION.

DWN 15DEC2009  
 R. GRZYBOWSKI  
 CHK 15DEC2009  
 G. STEINHAUER  
 APVD 15DEC2009  
 M. PERCHERKE

**Tyco Electronics**  
 Tyco Electronics  
 Harrisburg, PA 17105-3608

DIMENSIONS: INCHES [mm]	TOLERANCES UNLESS OTHERWISE SPECIFIED:
	0 PLC ±-
	1 PLC ±-
	2 PLC ±.02 [0.5]
	3 PLC ±.010 [0.25]
	4 PLC ±-
	ANGLES ±-

PRODUCT SPEC -  
 APPLICATION SPEC -  
 WEIGHT -

NAME PIN, POWER MODIFIED No.6 AWG			
SIZE A3	CAGE CODE 00779	DRAWING NO C-1986605	RESTRICTED TO -

MATERIAL - 1  
 FINISH 2

CUSTOMER DRAWING SCALE 6:1 SHEET 1 OF 1 REV A