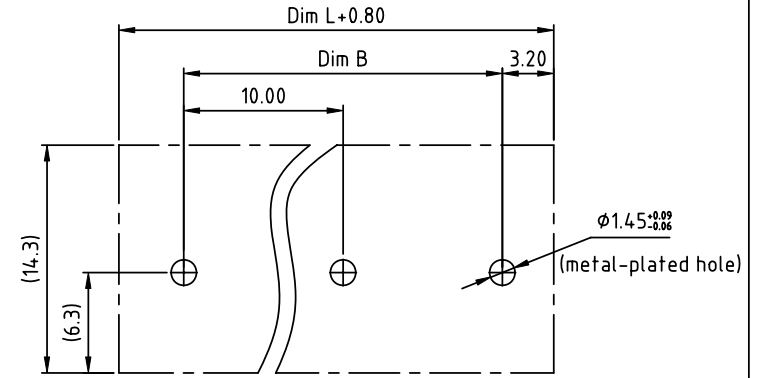
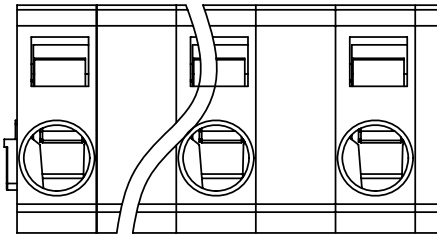
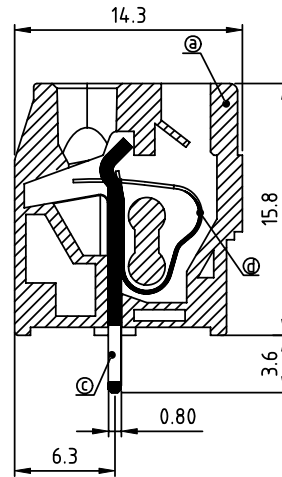
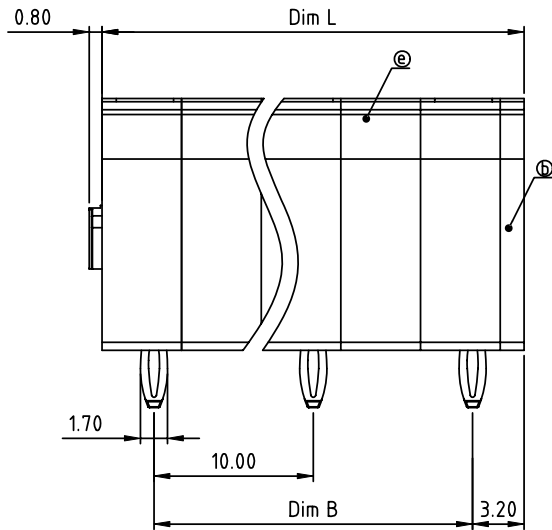


PRODUCT NUMBER	PITCH
HMxx80x100J0G	10.00mm



RECOMMENDED P.C.B LAYOUT  
TOP VIEW



Material:

- Item①Insulator body: Thermoplastic (UL94V-0)
- Item②Insulating cover: Thermoplastic (UL94V-0)
- Item③Solder pin: Brass, Tin plated
- Item④Wire guard: Stainless steel
- Item⑤Pad board: Thermoplastic (UL94V-0)

Electrical:

- |                         |                 |
|-------------------------|-----------------|
|                         | cULus           |
| ●Voltage rating:        | 250V            |
| ●Current rating:        | 8A              |
| ●Wire range:            |                 |
| ●Solid wire(AWG):       | 12-28           |
| ●Stranded wire(AWG):    | 12-28           |
| ●Wire strip length:     | 8-9mm           |
| ●Withstanding Voltage:  | 1.5KV           |
| ●Operating temperature: | -40°C to +115°C |
| ●Soldering temperature: | 260°C±5°C/5 Sec |
| ●Safety Approval:       |                 |

N=Number of poles  
Dim L=(N-1)×10.0+6.5  
Dim B=(N-1)×10.0

Poles	Dim L	Dim B
2-4p	±0.20	±0.15
5-7p	±0.30	±0.25
8-10p	±0.40	±0.35
11-12p	±0.45	±0.40

PART NO.: HM xx 80 x 100J0 G

No. of poles	0	Black (RAL9005)	RoHS compliant
End Stackable	2	Red (RAL3001/D)	(lead<4%)
02 2 poles	3	Orange(RAL2011/P)	In copper Alloy
03 3 poles	4	Yellow(RAL1018/A)	
...	5	Green(RAL6018/T)	
12 12 poles	6	Blue (RAL5015/A)	
	8	Grey(RAL7004/P)	
	9	White(RAL1102)	
	C	Multiple colors	

mat'l. code		surface ASME Y14.5	tolerance ASME Y14.5	projection	product family
ltr ecn no dr date		tolerances unless otherwise specified			TERMINAL BLOCK
angles		X.±0.5		MM	title
X'±1"		X.X±0.3			TERMINAL BLOCK
		X.XX±0.1		scale	SPRING CLAMP,90D WIRE INLET,PRESS FIT
dr		EVIN ZHONG	052914		dwg no
enrg		EVIN ZHONG	052914		sheet 1 of 1
chr		HANKE FENG	052914		size
appd		SHI JUN	052914		A4
sheet index		revision	A	type	
		sheet	1	CUSTOMER Drawing	