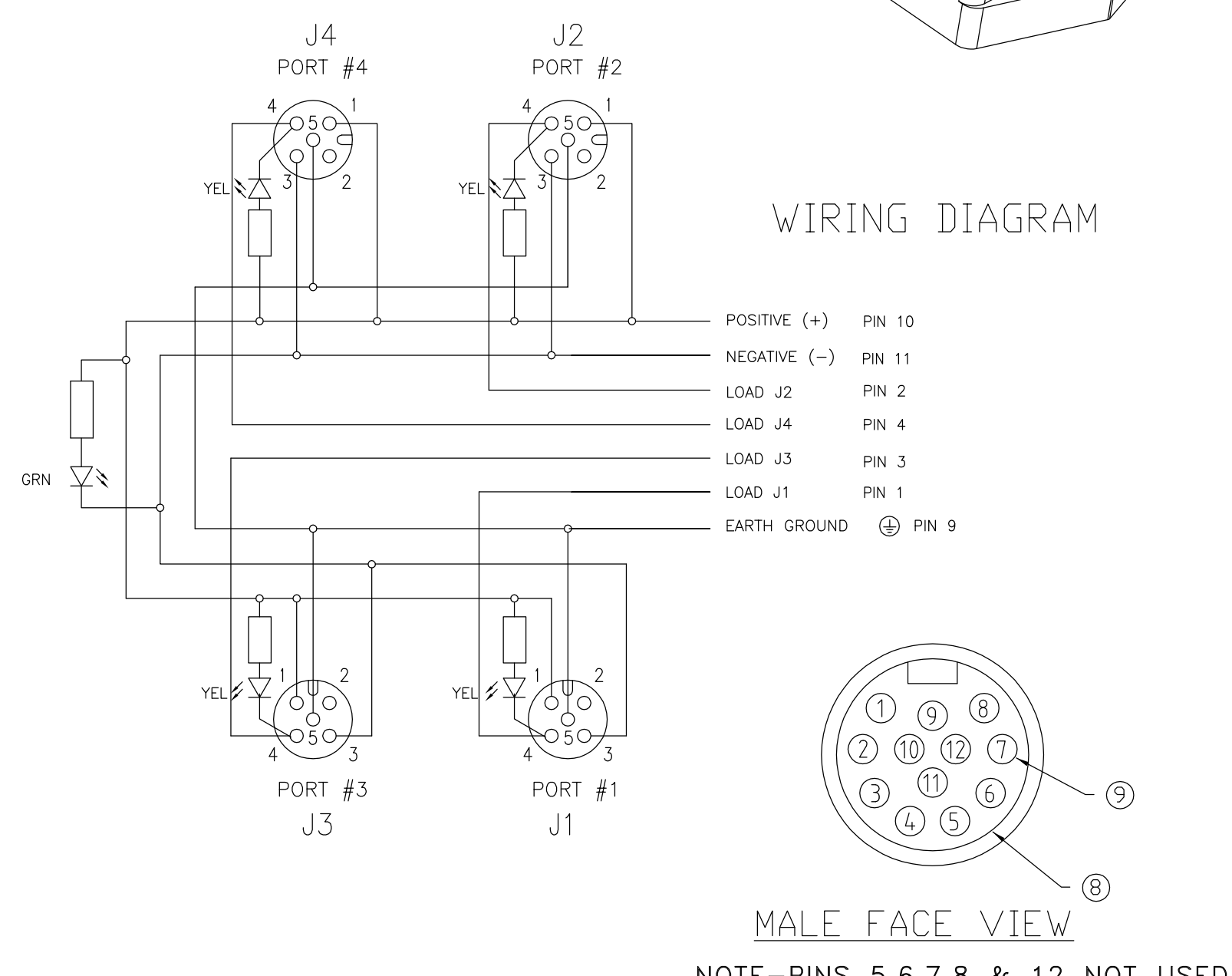
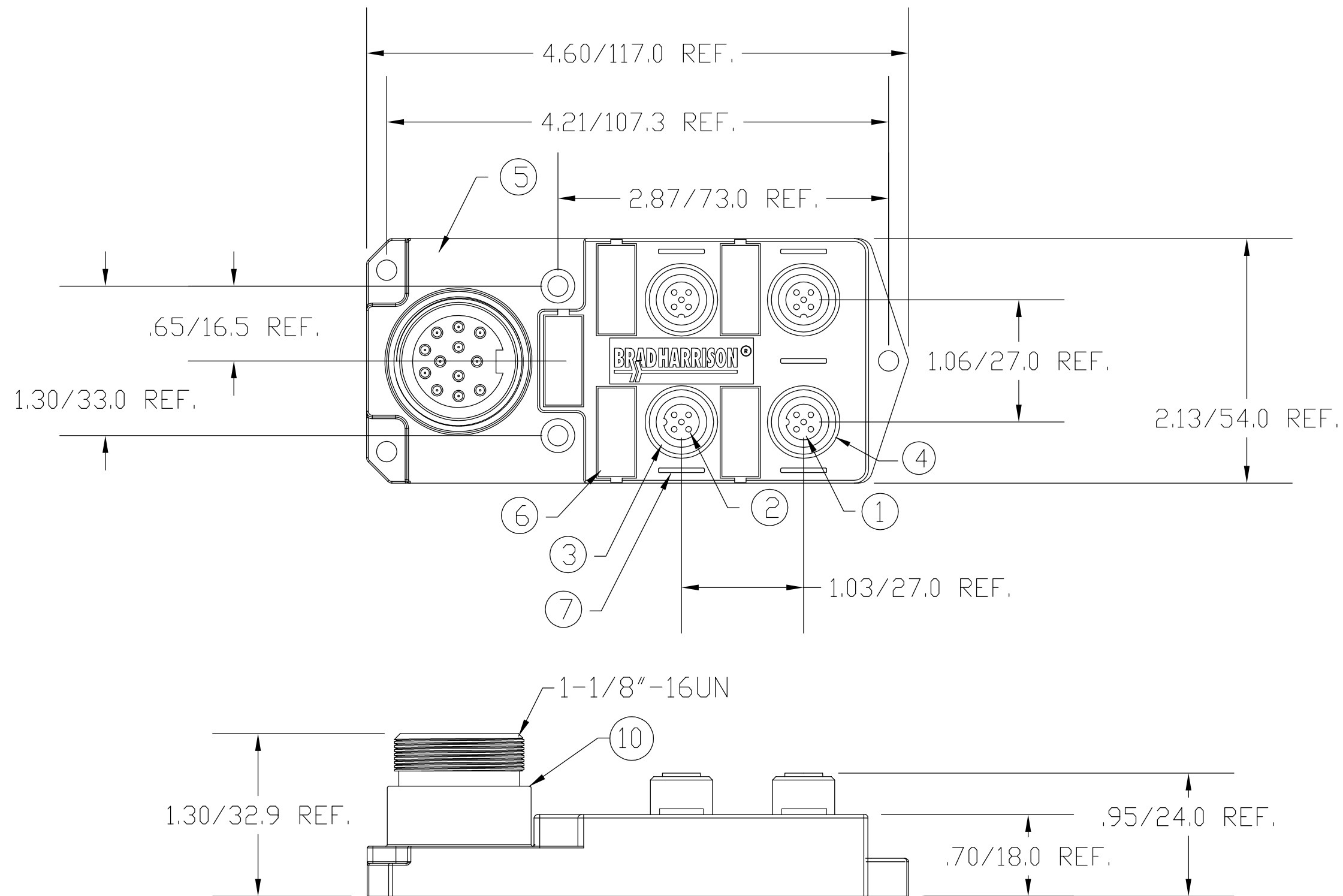
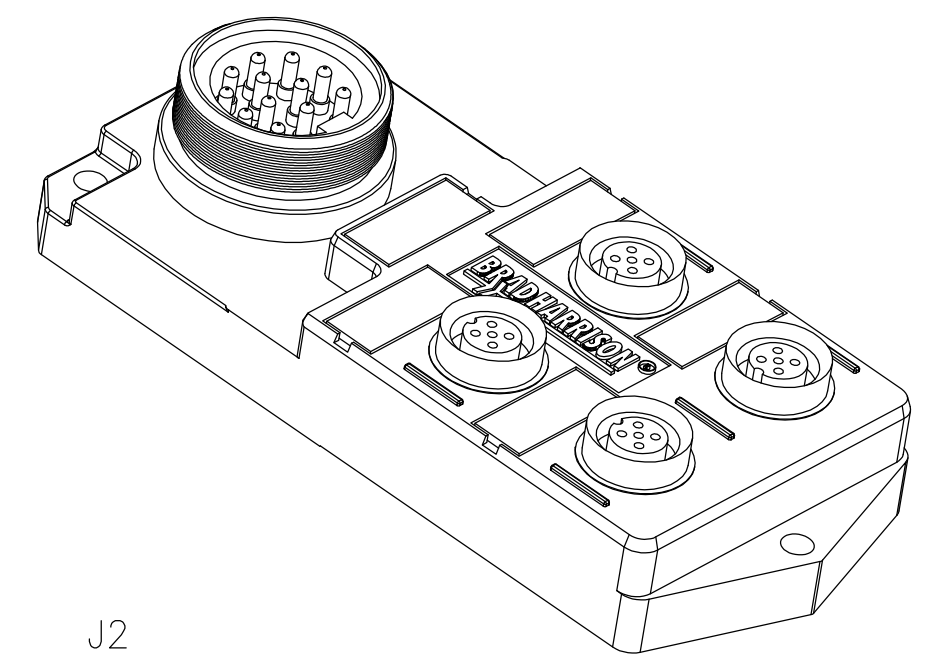


13	12	11	10	9	8	7	6	5	4	3	2	1
MATERIAL NUMBER	OLD PART NUMBER											
120114-0014	BTY401N-FBB											



ITEM	COMPONENT	MATERIAL	FINISH
1	INSERT	NYLON	BLACK
2	CONTACT SOCKET	COPPER ALLOY	GOLD OVER NICKEL
3	O-RING	NITRILE	RED
4	RECEPTACLE SHELL	BRASS	NICKEL PLATED
5	HOUSING	PBT	YELLOW
6	LABEL	ABS	WHITE
7	LENS	NYLON	CLEAR
8	INSERT	PVC	YELLOW
9	CONTACT PIN	COPPER ALLOY	GOLD OVER NICKEL
10	RECEPTACLE SHELL	BRASS	NICKEL PLATED

VOLTAGE RATING	10-30 VDC
AMPERAGE RATING PER PORT	4 AMPS
PROTECTION	IP67
OPERATING TEMPERATURE	-20°C TO 90°C
UL CERTIFICATIONS	UL RECOGNIZED, FILE NO. E46237
CSA CERTIFICATIONS	CSA CERTIFIED, FILE NO. LR6837

CORRECTED UL FILE # EC NO: WEU2010-0067 DRWN: LHARTMAN 8/25/09 CH'KD: BWOODMAN2009/08/27 APPR: JFMURPHY 2009/08/28	QUALITY SYMBOL ▽=0 ▽=0	GENERAL TOLERANCES (UNLESS SPECIFIED)		DIMENSION STYLE		SCALE	DESIGN UNITS	THIRD ANGLE PROJECTION	
				IN/MM		----	----		
				mm	INCH	DRAWN BY	DATE		TITLE
				4 PLACES ±----	±----	BW	2009/04/02		MICRO-CHANGE MPIS 4 PORT TOP MOUNT NPN MINI 12 POLE MALE
		3 PLACES ±----	±----	CHECKED BY	DATE	MOLEX INCORPORATED	SHEET NO. 1 OF 1		
		2 PLACES ±----	±.01	TW	2009/04/02				
		1 PLACE ±0.3	±----	APPROVED BY	DATE	DOCUMENT NO.			
		ANGULAR ±----°		JFMURPHY	2009/08/27	SD-120114-001			
		DRAFT WHERE APPLICABLE MUST REMAIN WITHIN DIMENSIONS		MATERIAL NO.					
				SIZE	THIS DRAWING CONTAINS INFORMATION THAT IS PROPRIETARY TO MOLEX INCORPORATED AND SHOULD NOT BE USED WITHOUT WRITTEN PERMISSION				
				C					