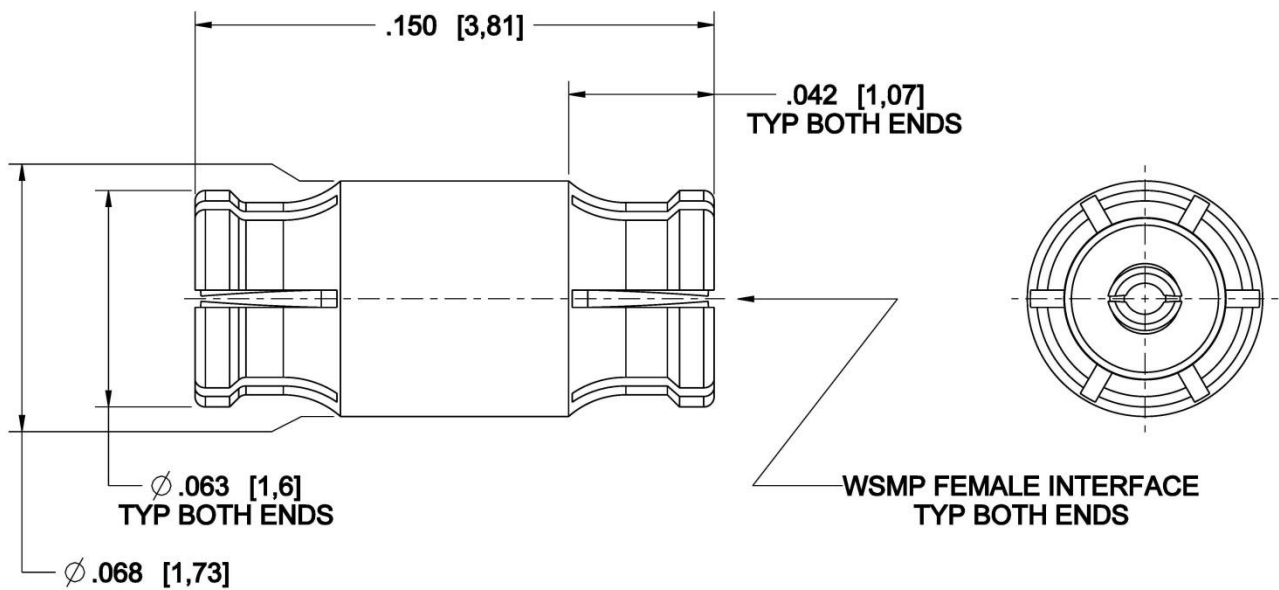
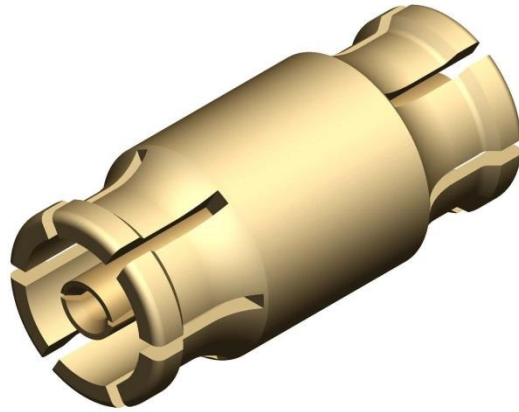


WSMP

Adaptor (Bullet)
Female to Female

W1K10F-K00D3



Interface

According to Rosenberger WSMP™ Interface standards

Material and plating

Connector parts

Body: CuBe per ASTM B196
 Contact: CuBe per ASTM B196
 Dielectric: PTFE

Plating

Hard gold 50µIN [1,27µm] min over Nickel 50µIN [1,27µm] min
 Hard gold 50µIN [1,27µm] min over Nickel 50µIN [1,27µm] min

Dieses Dokument ist urheberrechtlich geschützt • This document is protected by copyright • Rosenberger Hochfrequenztechnik GmbH & Co. KG

WSMP

Adaptor (Bullet)
Female to Female

W1K10F-K00D3

Electrical data

Impedance	50 Ω
Frequency	DC to 100 GHz
Return loss (typical)	≥ 26 dB, DC to 26.5 GHz ≥ 19 dB, 26.5 to 65 GHz
Insertion loss	≤ 0.12 x √f(GHz) dB
Insulation resistance	≥ 3.5 x10 ³ MΩ
Center contact resistance	≤ 2.0 mΩ
Outer contact resistance	≤ 6.0 mΩ
Test voltage (at sea level)	250 V rms
RF High Potential (at sea level)	150 V rms @ 5 MHz
RF-leakage	≥ -80 dB (typical mated pair)

- Limitations are possible due to the used cable type

Mechanical data

Mating cycles	
- Full Detent mating plug	≥ 100
- Smooth Bore mating plug	≥ 500
Engagement force (typical)	
- Full Detent	2.5 lb _f [11 N]
- Smooth Bore	1.2 lb _f [5.3 N]
Disengagement force (typical)	
- Full Detent	4.5 lb _f [20 N]
- Smooth Bore	1.0 lb _f [4.5 N]

Environmental data

Temperature range	-55° to +165°C
Thermal shock	MIL-STD-202, Meth. 107, Condition B
Corrosion	MIL-STD-202, Method 101
Vibration	MIL-STD-202, Method 204, Condition D
Shock	MIL-STD-202, Meth. 213, Condition I
Moisture resistance 2002/95/EC (RoHS)	MIL-STD-202, Method 106, except Step 7B compliant

Tooling

Installation/Extraction tool	W1W002-000
------------------------------	------------

Suitable cables

N/A

Packing

Standard	100 pcs in a bag
----------	------------------

Dieses Dokument ist urheberrechtlich geschützt • This document is protected by copyright • Rosenberger Hochfrequenztechnik GmbH & Co. KG

Draft	Date	Approved	Date	Rev.	Engineering change number	Name	Date
R. Hosler	9/24/2013	M. Peeran	9/24/2013	a00	ECN 14-s000; Released	M. Peeran	8/8/2014

Rosenberger of North America, LLC P.O. Box 309 Akron, PA USA 17501 www.rosenbergerna.com				Tel. : +1.717.859.8900 Fax : +1.717.859.7044 Email : info@rosenbergerna.com			Page 2 / 2
---	--	--	--	---	--	--	---------------