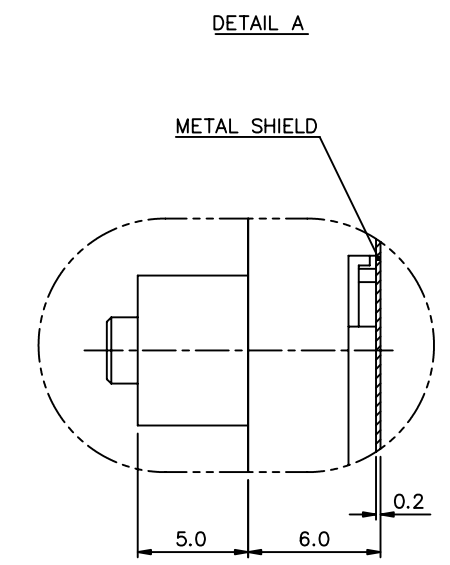
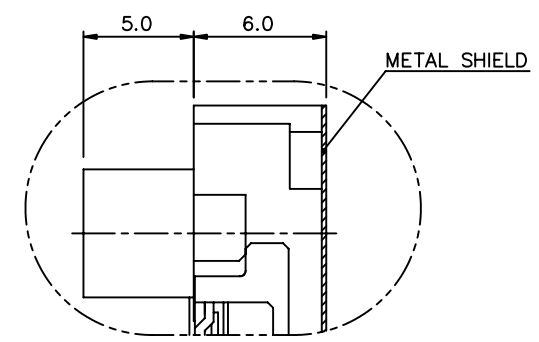
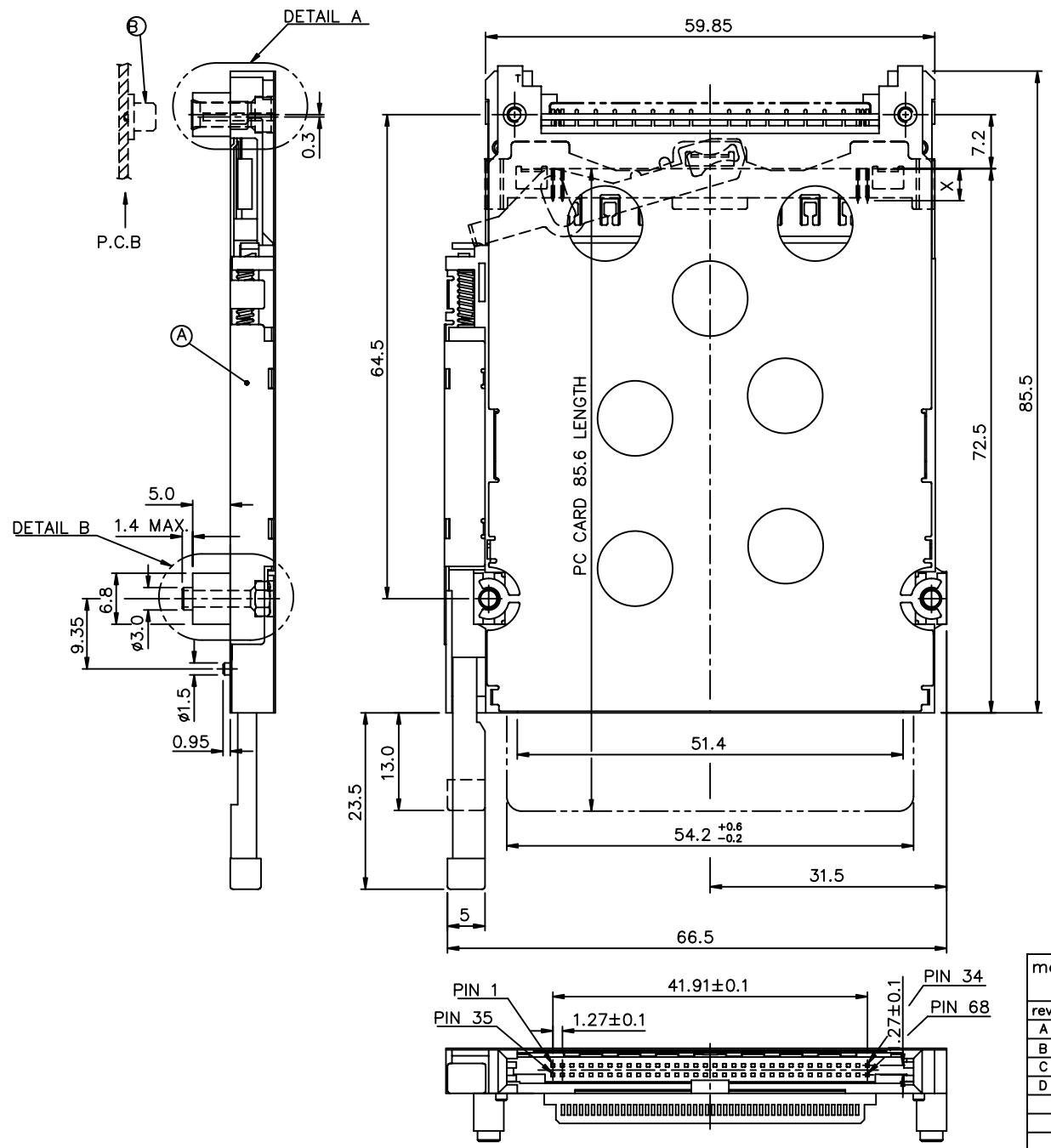


Tous droits strictement réservés. Reproduction ou communication à des tiers interdite sans autorisation écrite du propriétaire. Copyright BERG ELECTRONICS by

All rights strictly reserved. Reproduction or issue to third parties in any form without written authority from the proprietor. Copyright BERG ELECTRONICS by

PART NUMBER
56447-150CAS/150CASLF

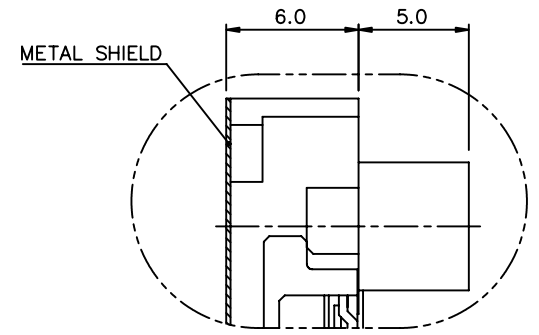
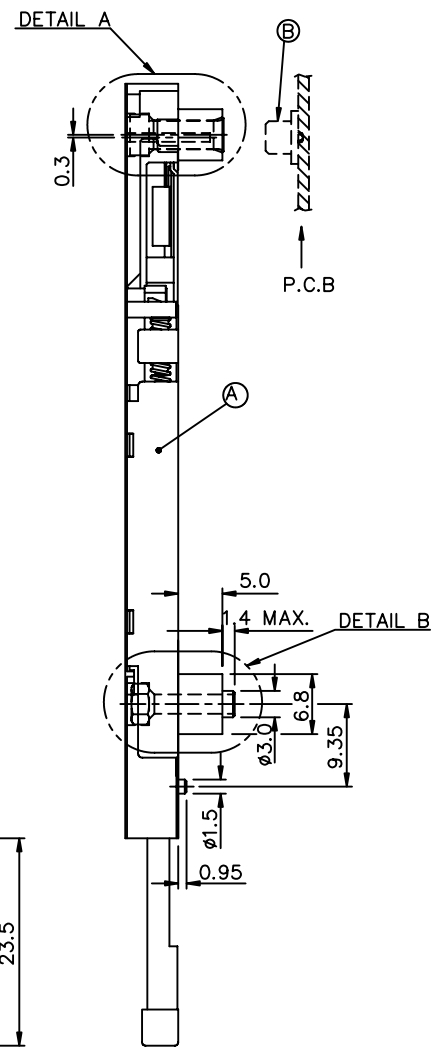
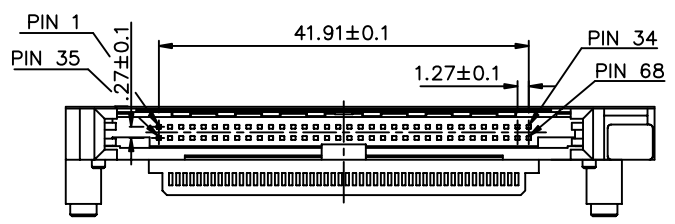
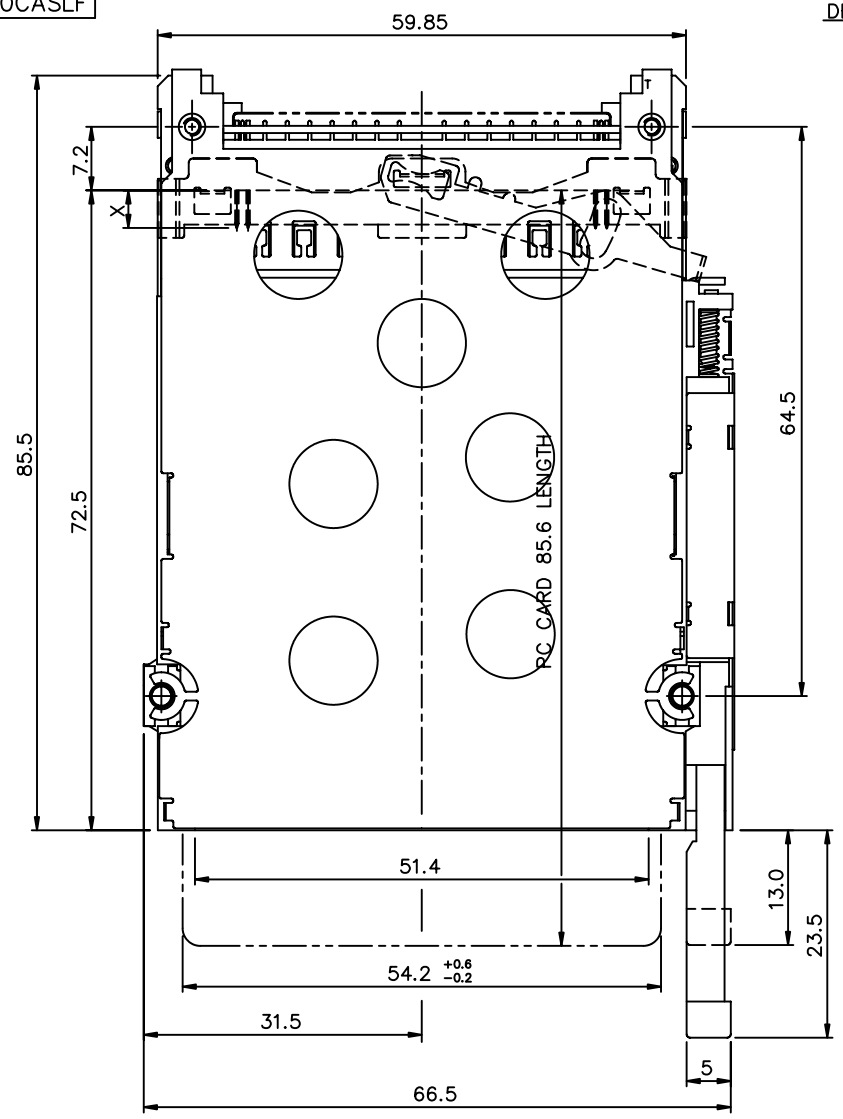


mat'l code		tolerance unless otherwise specified		CUSTOMER COPY		 www.fciconnect.com	
rev.	ecn no.	dr	date	linear	± 0.30	projection	title
A	T10059	WL	03/06/01				CARDBUS SINGLE DECK
B	T20062	WL	02/22/02				2-STEP, TYPE 1/2/3
C	T20206	WL	06/27/02	angles	± 2°		
D	N05-0152	WB	06/10/05	dr	WENDY CEHN 02/21/01	unit	product family
				enr	MINERVA WANG 02/21/01	mm/inch	PCMCIA
				chr	JOSEPH HSIA 02/21/01	scale	code
				appd	JOSEPH HSIA 02/21/01	A3	size
							dwg no.
							56447
sheet	revision	D	D	D			sheet
index	sheet	1	2	3			1 OF 3

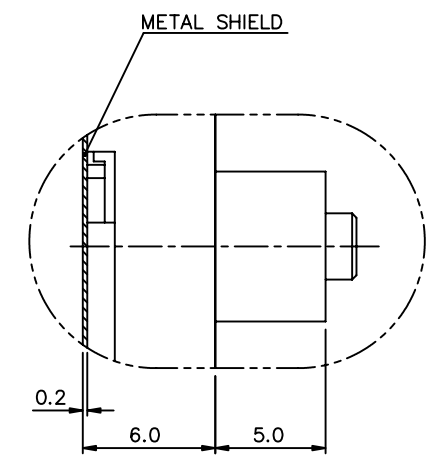
Tous droits strictement réservés. Reproduction ou communication à des tiers sans autorisation écrite du propriétaire. Copyright BERG ELECTRONICS by

All rights strictly reserved. Reproduction or issue to third parties in any form without written authority from the proprietor. Copyright BERG ELECTRONICS by

PART NUMBER
56447-050CAS
56447-050CASLF



DETAIL A

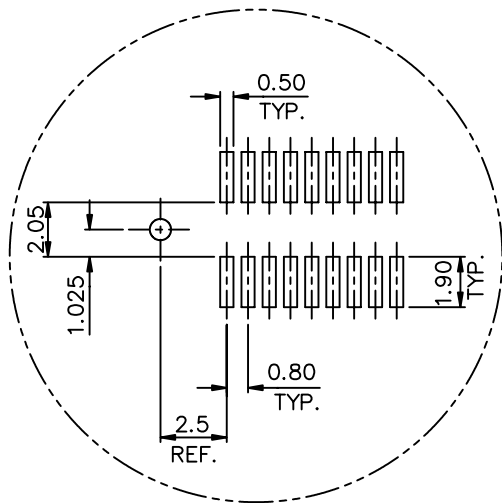


DETAIL B

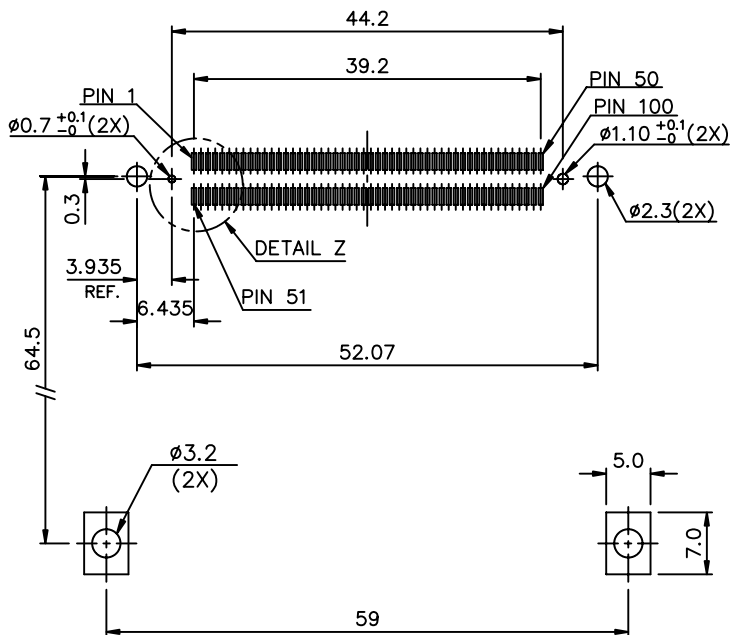
mat'l code		tolerance unless otherwise specified		CUSTOMER COPY		 www.fciconnect.com	
rev.	ecn no.	dr	date	linear	± 0.30	projection	 title CARDBUS SINGLE DECK 2-STEP, TYPE 1/2/3
D							
		dr	WENDY CEHN 02/22/02	unit	mm/inch	product family PCMCIA	
		enr	MINERVA WANG 02/22/02	scale	A3	size	dwg no.
		chr	MINERVA WANG 02/22/02				56447
		appd	JENN TSAO 02/22/02				sheet 2 of
sheet index	revision						

Tous droits strictement réservés. Reproduction ou communication, a des tiers int
 sous quelque forme que ce soit sans autorisation écrite du propriétaire.
 Property of c BERG ELECTRONICS.
 Droits de reproduction BERG ELECTRONICS by
 FCI
 All rights strictly reserved. Reproduction or issue to third parties in any for
 whatever is not permitted without written authority from the proprietor.
 Property of c BERG ELECTRONICS.
 Copyright BERG ELECTRONICS by
 FCI

PART NUMBER
56447-*50CAS
56447-*50CASLF



DETAIL Z



4 CARD INSERTION DIRECTION

NOTES:

- 8.0mm MIN CARD EJECT.
- EJECT TRAVEL: 9.50mm
- MATERIAL:
 - 3.1 EJECT HEADER ASS'Y
 PLASTIC HOUSING: LCP UL94V-0 BLACK
 PIN: COPPER ALLOY
 PCB: FR4
 PLASTIC GUIDE: POLYPHTHARAMID UL94V-0 ,BLACK
 - 3.2 RECEPTACLE
 PLASTIC: LCP 94V-0 NATURAL
 PIN: BeCu
- FINISH
 PIN :
 UNDER PLATING: 0.5um MIN. Ni
 CONTACT AREA: 0.1um MIN. GOLD OVER
 0.5um MIN. Pd-Ni
 SOLDER TAIL: 2.5um MIN. Sn-Pb
 2.5um MIN. PURE Sn (-*****LF)
 GROUND SHIELD :
 UNDER PLATING: 0.75um MIN. Ni
 CONTACT SURFACE: 0.03um GOLD MIN. OVER
 PdNi 0.5um MIN.(GOLD FLASH DOUBLE SIDES)
 OR, 0.38um GOLD(ONE SIDE ONLY)
- PUSH ROD LOCATION AND P.C.B. ARE AS APPEARS INSTALLED
- DIM "X"

4.25±0.1	3.5±0.1	5.0±0.1
OTHERS	36,67	1,17,34,35,51,68
- DO NOT TOUCH AND KEEP CLEAN THE SURFACES OF PCB OF HEADER ASS'Y.
- IF LEAD FREE P/N. THE HOUSING WILL WITHSTAND EXPOSURE TO 260°C PEAK TEMPERATURE FOR 10 SECONDS IN A WAVE SOLDER APPLICATION WITH A 1.00MM MINIMUM THICK CIRCUIT BOARD.
- LEAD FREE PRODUCT MEETS EUROPEAN UNION DIRECTIVES AND OTHER COUNTRY REGULATIONS AS DESCRIBED IN GS-22-008
- IF LEAD FREE P/N. PACKAGING MEETS GS-14-920 SPECIFICATION

ORDERING INFORMATION

NAME	PART NO.	Q'TY
(A) EJECT HEADER ASS'Y	56447-***** 56447-*****LF	1
(B) MATING RECEPTACLE	73277-101000 73277-101000LF	1

mat'l code		tolerance unless otherwise specified		CUSTOMER COPY		
rev.	ecn no.	dr	date	linear		± 0.1
D				angles	± 2°	
				dr	WENDY CEHN 02/21/01	
				enr	MINERVA WANG 02/21/01	
				chr	JOSEPH HSIA 02/21/01	
				appd	JOSEPH HSIA 02/21/01	
sheet	revision			unit	mm/inch	
index	sheet			size	A3	
					product family : PCMCIA	code
					scale	TWN
					dwg no.	3 OF
					56447	