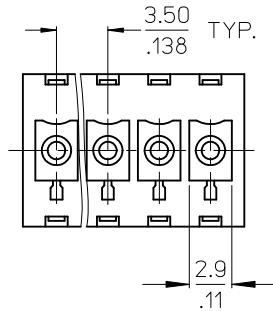
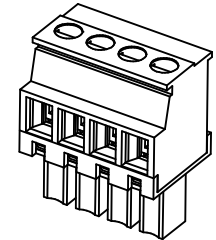
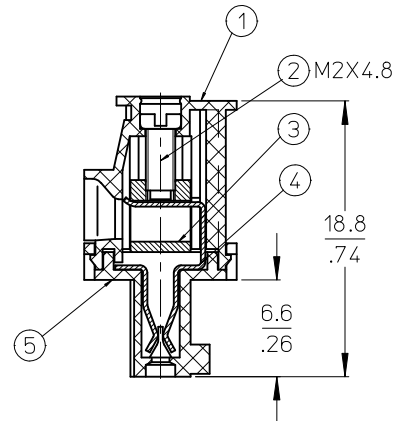
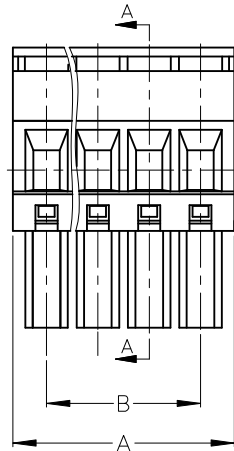
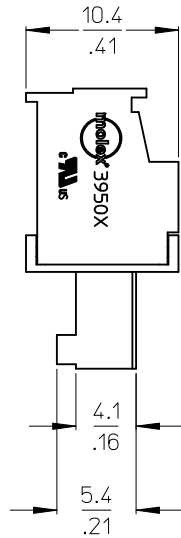


10 9 8 7 6 5 4 3 2 1



SPECIFICATIONS:

1. MATERIAL:

- (1). BODY: NYLON 66 (PA 66).
- (2). SCREW: STEEL.
- (3). CAGE (\*): BRASS
- (4). TERMINAL: PHOSPHOR BRONZE (C)
- (5). COVER: NYLON 66 (PA 66).

(C) 2. PRODUCT SPECIFICATION: PS-39500-001.

3. WIRE RANGE: 30 - 16AWG.

4. TORQUE: 2 in-lbs.

5. WIRE STRIP LENGTH: 6.50/.256.

6. NUMBER OF CIRCUIT POSITIONS AVAILABLE = 2 THROUGH 20.

(C) 7. ASSEMBLY IS ROHS COMPLIANT BY EXEMPTION.

COMPONENTS MARKED WITH AN ASTERISK (\*) ARE ROHS COMPLIANT BY EXEMPTION, ALL OTHERS ARE ROHS COMPLIANT.

<b>FIX TYPO-TERM MATERIAL</b> EC NO: WNA2010-0708 DRW: NCLYORK 2010/06/28 CHK: DDTITUS 2006/03/17 APPR: DDTITUS 2010/07/09	QUALITY SYMBOLS	GENERAL TOLERANCES (UNLESS SPECIFIED)		DIMENSION STYLE		SCALE	DESIGN UNITS	THIRD ANGLE PROJECTION		
	▼=0 ▽=0	mm	INCH	MM/IN		3:1	INCH	3.50MM, EURO PLUG, VERTICAL, REAR WIRE ENTRY		
		4 PLACES ± --- ± ---	3 PLACES ± --- ± .005	2 PLACES ± 0.13 ± .01	1 PLACE ± 0.3 ± ---	DRAWN BY DATE	CHECKED BY DATE			
		ANGULAR ± 2 °		DRAFT WHERE APPLICABLE MUST REMAIN WITHIN DIMENSIONS		DRAWN BY: C. YORK DATE: 2006/03/17 CHECKED BY: R. DEROSS DATE: 2006/03/17 APPROVED BY: R. DEROSS DATE: 2006/03/17	THIS DRAWING CONTAINS INFORMATION THAT IS PROPRIETARY TO MOLEX INCORPORATED AND SHOULD NOT BE USED WITHOUT WRITTEN PERMISSION			

9 8 7 6 5 4 3 2 1

Circuit size	Material Numbers												Dimensional Information					
	Black						Green											
	100% Tin			30 u" Gold			100% Tin			30 u" Gold			Dim. A		Dim B			
	Printing Options			Printing Options			Printing Options			Printing Options			mm	inch	mm	inch		
None	10AV	11AV	None	10AV	11AV	None	10AV	11AV	None	10AV	11AV	None	10AV	11AV				
2	395032002	395032302	395032402	395032502	395032802	395032902	395037002	395037302	395037402	395037502	395037802	395037902	8.1	0.32	3.5	0.14		
3	395032003	395032303	395032403	395032503	395032803	395032903	395037003	395037303	395037403	395037503	395037803	395037903	11.6	0.46	7.0	0.28		
4	395032004	395032304	395032404	395032504	395032804	395032904	395037004	395037304	395037404	395037504	395037804	395037904	15.1	0.59	10.5	0.41		
5	395032005	395032305	395032405	395032505	395032805	395032905	395037005	395037305	395037405	395037505	395037805	395037905	18.6	0.73	14.0	0.55		
6	395032006	395032306	395032406	395032506	395032806	395032906	395037006	395037306	395037406	395037506	395037806	395037906	22.1	0.87	17.5	0.69		
7	395032007	395032307	395032407	395032507	395032807	395032907	395037007	395037307	395037407	395037507	395037807	395037907	25.6	1.01	21.0	0.83		
8	395032008	395032308	395032408	395032508	395032808	395032908	395037008	395037308	395037408	395037508	395037808	395037908	29.1	1.15	24.5	0.97		
9	395032009	395032309	395032409	395032509	395032809	395032909	395037009	395037309	395037409	395037509	395037809	395037909	32.6	1.28	28.0	1.10		
10	395032010	395032310	395032410	395032510	395032810	395032910	395037010	395037310	395037410	395037510	395037810	395037910	36.1	1.42	31.5	1.24		
11	395032011	395032311	395032411	395032511	395032811	395032911	395037011	395037311	395037411	395037511	395037811	395037911	39.6	1.56	35.0	1.38		
12	395032012	395032312	395032412	395032512	395032812	395032912	395037012	395037312	395037412	395037512	395037812	395037912	43.1	1.70	38.5	1.52		
13	395032013	395032313	395032413	395032513	395032813	395032913	395037013	395037313	395037413	395037513	395037813	395037913	46.6	1.84	42.0	1.65		
14	395032014	395032314	395032414	395032514	395032814	395032914	395037014	395037314	395037414	395037514	395037814	395037914	50.1	1.97	45.5	1.79		
15	395032015	395032315	395032415	395032515	395032815	395032915	395037015	395037315	395037415	395037515	395037815	395037915	53.6	2.11	49.0	1.93		
16	395032016	395032316	395032416	395032516	395032816	395032916	395037016	395037316	395037416	395037516	395037816	395037916	57.1	2.25	52.5	2.07		
17	395032017	395032317	395032417	395032517	395032817	395032917	395037017	395037317	395037417	395037517	395037817	395037917	60.6	2.39	56.0	2.21		
18	395032018	395032318	395032418	395032518	395032818	395032918	395037018	395037318	395037418	395037518	395037818	395037918	64.1	2.52	59.5	2.34		
19	395032019	395032319	395032419	395032519	395032819	395032919	395037019	395037319	395037419	395037519	395037819	395037919	67.6	2.66	63.0	2.48		
20	395032020	395032320	395032420	395032520	395032820	395032920	395037020	395037320	395037420	395037520	395037820	395037920	71.1	2.80	66.5	2.62		

SEE SHEET 1 EC NO: WNA2010-0708 DRAWN BY: C. YORK 2010/06/28 CHKD BY: DTITUS 2006/03/17 APPR: DTITUS 2010/07/09	QUALITY SYMBOLS ▽=0 ▽=0	GENERAL TOLERANCES (UNLESS SPECIFIED) mm INCH 4 PLACES ± --- ± --- 3 PLACES ± --- ± .005 2 PLACES ± 0.13 ± .01 1 PLACE ± 0.3 ± --- ANGULAR ± 2 °	DIMENSION STYLE MM/IN DRAWN BY: C. YORK DATE: 2006/03/17 CHECKED BY: R. DEROSS DATE: 2006/03/17 APPROVED BY: R. DEROSS DATE: 2006/03/17	DIMENSION SCALE 3:1 DESIGN UNITS INCH THIRD ANGLE PROJECTION	TITLE 3.50MM, EURO PLUG, VERTICAL, REAR WIRE ENTRY
	DRAFT WHERE APPLICABLE MUST REMAIN WITHIN DIMENSIONS		MATERIAL NO. SEE CHART	DOCUMENT NO. SD-39503-002	SHEET NO. 2 OF 2
	THIS DRAWING CONTAINS INFORMATION THAT IS PROPRIETARY TO MOLEX INCORPORATED AND SHOULD NOT BE USED WITHOUT WRITTEN PERMISSION				
	MOLEX INCORPORATED				