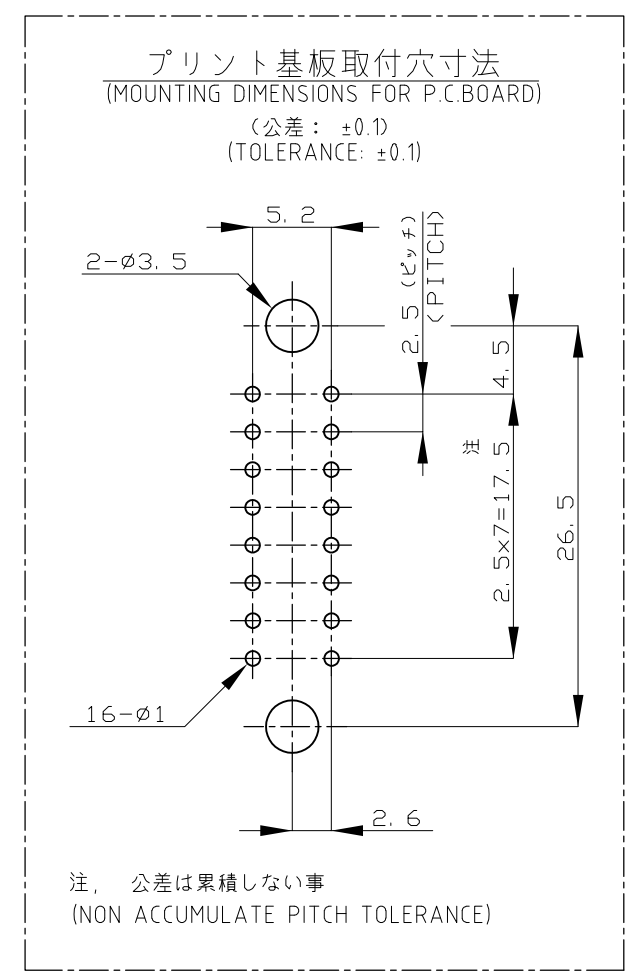
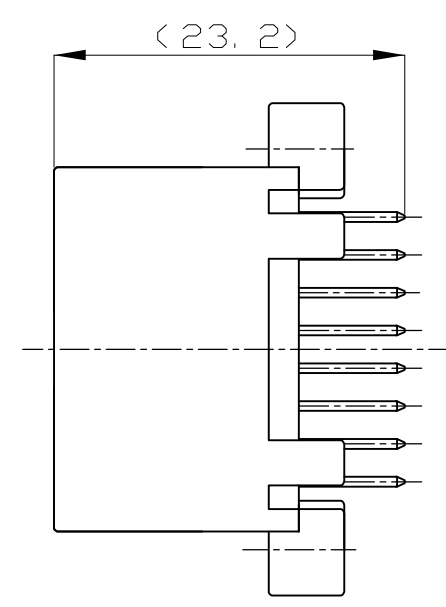
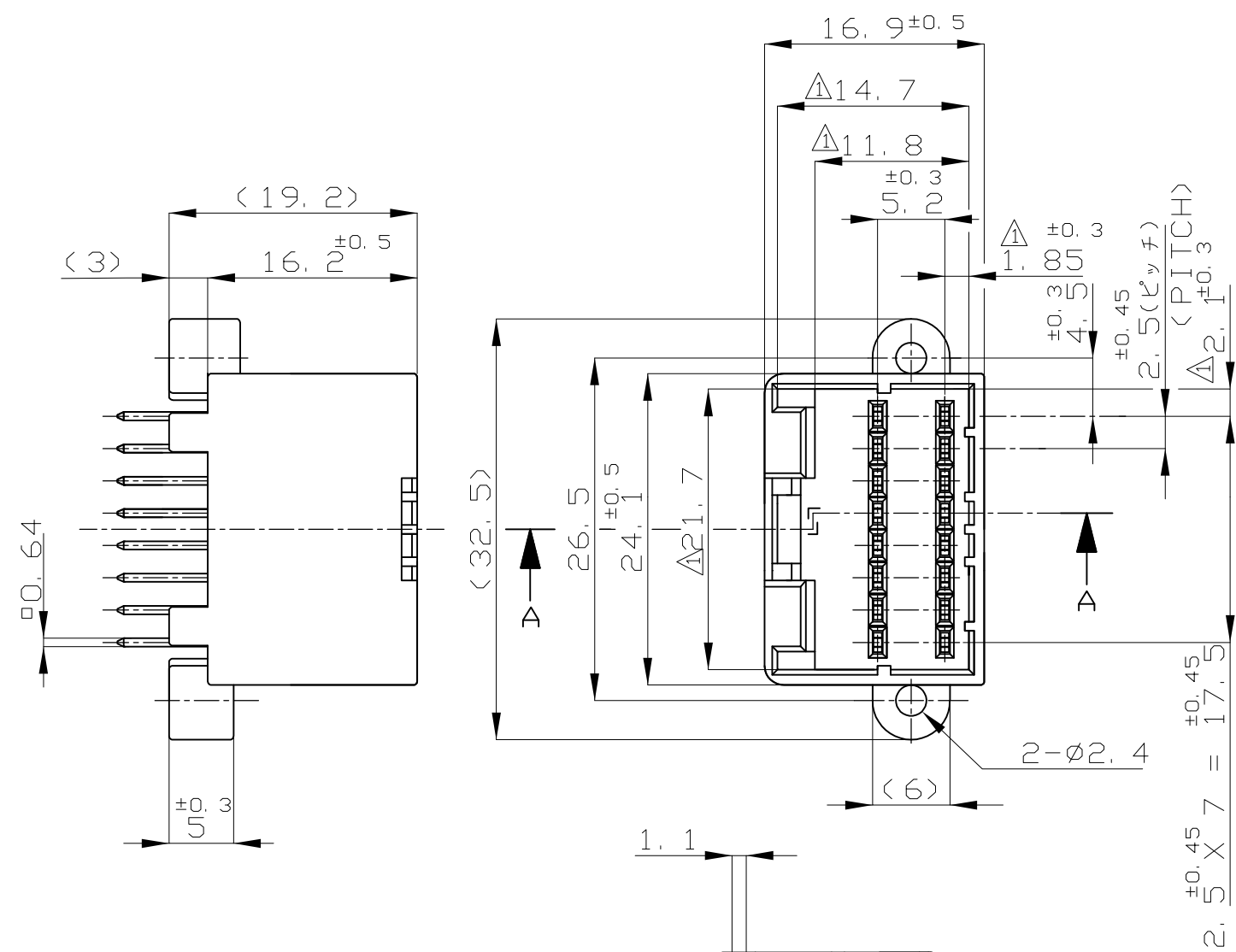


THIS DRAWING IS UNPUBLISHED. RELEASED FOR PUBLICATION
 © COPYRIGHT - By - ALL RIGHTS RESERVED.

LOC	DIST	REVISIONS					
J	-	P	LTR	DESCRIPTION	DATE	DWN	APVD
			D4	REVISED PER ECO-11-005140	28MAR11	RK	HMR



- 注:
- △ [-Z-] 面より2mmの範囲で測定
 - 適用プリント基板厚: 1.6mm
 - カン合相手ハウジング型番: 174046
 - 推奨取付ネジ: JIS B1115, B1122 タッピンネジ, ナベ2種
呼び径3, 長さ6mm (締付けトルク0.8N-M以下)

- NOTE:
- △ TO BE MEASURED WITHIN 2mm FROM [-Z-]
 - APPLICABLE P.C.BOARD THICKNESS: 1.6mm
 - THE MATING COUNTERPART PART NUMBER: 174046
 - RECOMMENDED MOUNTING SCREW: 3mmDIA, 6mmLENGTH TAPPING SCREW
SPECIFIED IN JIS B1115, B1122 (TIGHTENING TORQUE: 0.8N-M MAX.)

断面 A-A
 (SECT. A-A)

	PRE-TIN	NATURAL	174975-4	
OBSOLETE	SELECTIVE-TIN	PRE-TIN	2-174975-1	
	PRE-TIN	BLACK	174975-2	
	SELECTIVE-TIN (MATTE)	SELECTIVE-TIN (BRIGHT)	BLACK	174975-1
	SOLDERING SIDE 半田付け部	CONTACT SIDE 接触部側	COLOR	PART NUMBER 製品型番
	CONTACT FINISH コンタクト仕上		色	製品型番

THIS DRAWING IS A CONTROLLED DOCUMENT.

DIMENSIONS: 単位: 耗 mm	TOLERANCES UNLESS OTHERWISE SPECIFIED: 一般公差	DWN M.KADOSAKI 120CT05	TE Connectivity
	0 PLC ± - 1 PLC ± - 2 PLC ± - 3 PLC ± - 4 PLC ± - ANGLES ± -	CHK T.SHINOHARA 120CT05	
		APVD K.BETSUI 120CT05	
MATERIAL 材料 HOUSING: PBT CONTACT: BRASS	FINISH 仕上	NAME 名称 16Pos. CAP HOUSING ASS'Y .040 SRS. MULTI-LOCK I/O CONN. (V-TYPE)	

製品規格
 取付適用規格
 WEIGHT
 CUSTOMER DRAWING

SIZE	CAGE CODE	DRAWING NO 番号	RESTRICTED TO
A3	00779	C-174975	-
SCALE 尺度	SHEET	REV	
2:1	1 OF 1	D4	