

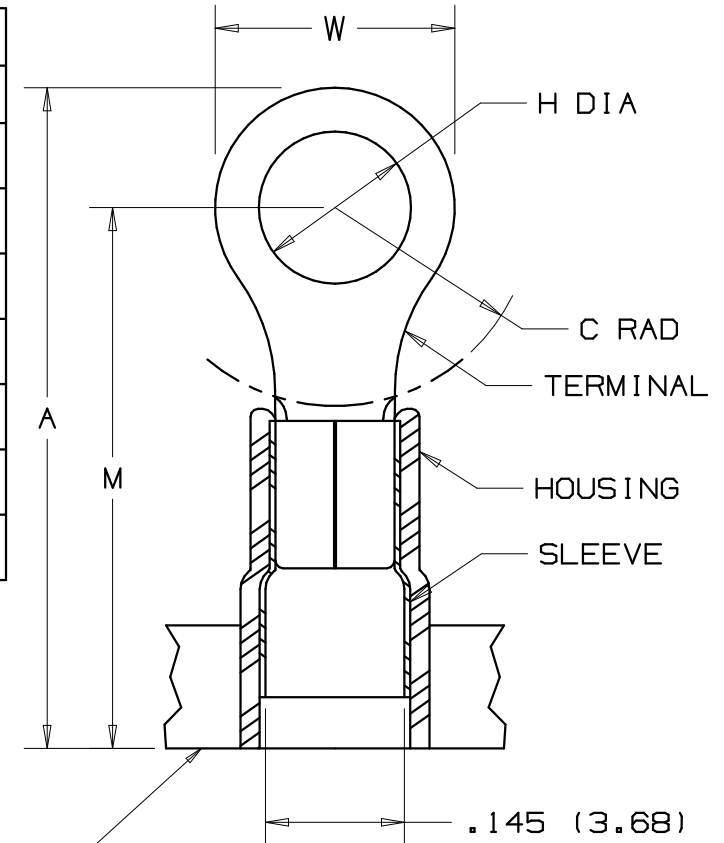
THIS COPY IS PROVIDED ON A RESTRICTED BASIS AND IS NOT TO BE USED IN ANY WAY DETRIMENTAL TO THE INTERESTS OF PANDUIT CORP.

PANDUIT PART NUMBER	MILITARY PART NO. AND CLASS	STUD SIZE	DIMENSIONS in.				
			A ±.03	W ±.01	C ±.02	M ±.03	H ±.01
PN18-4R-3K	-----	#4	.80 (20.32)	.25 (6.35)	.22 (5.59)	.67 (17.02)	.12 (3.05)
PN18-4RN-3K	MS25036-148 CLASS 2	#4	.74 (18.80)	.22 (5.59)	.18 (4.57)	.63 (16.00)	.12 (3.05)
PN18-6R-3K	MS25036-102 CLASS 2	#6	.78 (19.81)	.25 (6.35)	.22 (5.59)	.67 (17.02)	.15 (3.81)
PN18-6RN-3K	MS25036-101 CLASS 2	#6	.74 (18.80)	.22 (5.59)	.18 (4.57)	.63 (16.00)	.15 (3.81)
PN18-8R-3K	MS25036-149 CLASS 2	#8	.86 (21.84)	.31 (7.87)	.25 (6.35)	.70 (17.78)	.17 (4.32)
PN18-10R-3K	MS25036-103 CLASS 2	#10	.86 (21.84)	.31 (7.87)	.25 (6.35)	.70 (17.78)	.20 (5.08)
PN18-14R-3K	MS25036-150 CLASS 2	1/4"	1.05 (26.67)	.45 (11.43)	.38 (9.65)	.83 (21.08)	.27 (6.86)

NOTES:

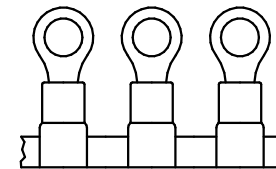
- UL LISTED AND CSA CERTIFIED FOR:
 - 600V. MAX. VOLTAGE RATING
 - 221°F. (105°C) MAX. TEMP. RATING
 - #22-18 (0.5-1.5mm² AWG SOLID OR STRANDED COPPER WIRE
- MATERIAL:
 - STAMPING- .03" (.8) THK. COPPER, TIN PLATED
 - HOUSING- NYLON, RED
 - SLEEVE- BRASS, TIN PLATED
- WIRE STRIP LENGTH- 7/32" +1/32, -0 (5.6, +.8, -0)
- PACKAGE QUANTITY: 3K = 3000 PCS.
- DIMENSIONS IN PARENTHESIS ARE IN MILLIMETERS
- INSTALLATION TOOLS:
 - PRESSES - CP-851, CP-860, CP-861, CP-871
 - APPLICATOR - CA-800, CA9
 - DIE INSERTS - CD-800-1, CD9-1A, B

Panduit part numbers shown on this drawing meet the material requirements of RoHS (EUROPEAN DIRECTIVES 2002/95/EC) as proposed by the Technical Adaptation Committee




UL LISTED 587H E52164

SA CERTIFIED LR31212



A41100_07

07	8/06	DAW	DAW	ADDED MILITARY PART NO. & CLASS	TR00155	LCA	TRO	 TINLEY PARK, ILLINOIS TERMO 3PC. CONTINUOUSLY MOLDED NYLON INSULATED, 22-18 BARREL, RINGS
06	12/00	ED	SKB	FILESPEC WAS: N41100AA_PCD_05	08925	JAC	CCH	
05	11/96	JB		ADDED .080(2.03) MIN.WIRE INSUL DIA.	05413			
04	5/95	MS		INSUL. DIA WAS .136(3.45)	03264	LA	KS	
REV	DATE	BY	CHK	DESCRIPTION	ECN #	CUST	PM	DRAWN BY JMV CHK'D FS SCALE NONE DRAWING NO. A41100