

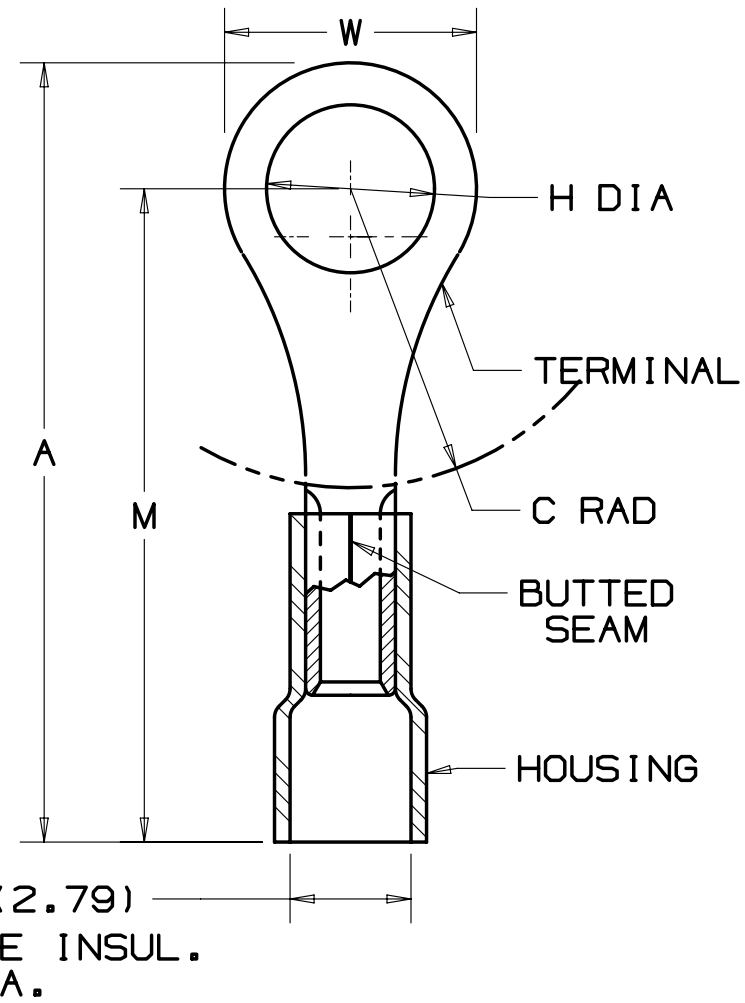
THIS COPY IS PROVIDED ON A RESTRICTED BASIS AND IS NOT TO BE USED IN ANY WAY DETRIMENTAL TO THE INTERESTS OF PANDUIT CORP.

| PANDUIT PART NUMBER | STUD SIZE | DIMENSIONS in. | | | | |
|---------------------|-----------|----------------|---------------|---------------|----------------|---------------|
| | | A ±.03 | W ±.01 | C ±.02 | M ±.03 | H ±.01 |
| PV22-2R | #2 | .68 (17.27) | .21 (5.33) | .18 (4.57) | .58 (14.73) | .10 (2.54) |
| PV22-4R | #4 | .68 (17.27) | .21 (5.33) | .18 (4.57) | .58 (14.73) | .12 (3.05) |
| PV22-6R | #6 | .68 (17.27) | .21 (5.33) | .18 (4.57) | .58 (14.73) | .15 (3.81) |
| PV22-8R | #8 | .78 (19.81) | .26 (6.60) | .26 (6.60) | .65 (16.51) | .17 (4.32) |
| PV22-10R | #10 | .78 (19.81) | .32 (8.13) | .24 (6.10) | .62 (15.75) | .20 (5.08) |

NOTES:

- RECOMMENDED FOR:
 - A. 600V. MAX. VOLTAGE RATING
 - B. #26-22 AWG SOLID OR STRANDED COPPER WIRE
 - C. 221° F (105° C) MAX. TEMP. RATING
- MATERIAL:
 - A. STAMPING - .020 (0.51) THK COPPER, TIN PLATED
 - B. HOUSING - VINYL, YELLOW
- PACKAGE QTY: STD. PKG. - CY = 100
BULK PKG. - MY = 1000
- DIMENSIONS IN BRACKETS ARE IN MILLIMETERS
- INSTALLATION TOOLS: CT-520, CT-1525
- WIRE STRIP LENGTH: 3/16" +1/32"

Panduit part numbers shown on this drawing meet the material requirements of RoHS (European Directive 2002/95/EC on the Restriction of Hazardous Substances) as proposed by the Technical Adaption Committee.



.110 (2.79)
MAX. WIRE INSUL.
DIA.

| | | | |
|---|-------------|--|-------|
| TITLE | | #26-22 BARREL VINYL INSULATED RING TONGUE, .110 (2.79) MAX. WIRE INSUL. DIA. | |
| CUSTOMER DRAWING | | | |
| ITEM REVISION NAME | N41230BA/09 | | |
| DATASET FILE NAME | N41230BA/09 | | |
| UNLESS OTHERWISE SPECIFIED, DIMENSIONAL TOLERANCES ARE: IN (mm) | | MATERIAL: | |
| .X ± | | SEE NOTES | |
| .XX ± | | DRAWING NUMBER: | |
| .XXX ± | | A41230 | |
| ANGLES ± | | SHT 1 OF 1 | |
| THIRD ANGLE PROJECTION | | A | |
| DRAWN BY | DATE | CHK | SCALE |
| DAW | | CJH | NONE |

| REV | DATE | BY | CHK | APR | DESCRIPTION | ECN |
|-----|-------|------|------|-----|--------------------------------|-----------------|
| 09 | 1/14 | JHNU | JHNU | RGB | ADDED WIRE TO MAX. INSUL. DIA. | N41230BA-A41230 |
| 08 | 11/13 | JHNU | JHNU | RGB | BUTTED SEAM WAS BRAZED SEAM | N41230BA-A41230 |

917/00004/18