



actual size

Quartz Crystal · JTX210

SMD Tuning Fork Crystal · 2.0 x 1.2 mm

- 32.768 kHz
- reflow soldering temperature: 260 °C max.
- package height 0.6 mm max.



General Data

type	JTX210
frequency	32.768 kHz
frequency tolerance at 25 °C ± 5 °C	± 20 ppm / ± 30 ppm
load capacitance C_L	12.5 pF std. / 9.0 pF / 7.0 pF
temperature constant (T_C)	$T_C = -0.04 \text{ ppm} / ^\circ\text{C}^2 \text{ max.}$ $T_C = -0.034 \text{ ppm} / ^\circ\text{C}^2 \text{ typical}$
frequency temperature characteristic	$\Delta f = T_C \cdot (T_A - T_{TP})^2 \text{ in [ppm]}$ $T_A = \text{actual ambient temperature}$ $T_{TP} = 25 \text{ }^\circ\text{C} \pm 5 \text{ }^\circ\text{C}$ $T_{TP} = \text{turning point temperature}$
operating temperature range	refer to frequency stability table
shunt capacitance C_0	1.15 pF typical
series resistance max. (ESR)	80 k Ω (90 k Ω for T2 & T3)
storage temperature	-40 °C ~ +125 °C
drive level max.	0.5 μW
aging first year	< ± 3 ppm

Frequency Stability vs. Temperature

		-80 ppm	-160 ppm	-250 ppm	-400 ppm
-20 °C ~ +70 °C	STD.	●			
-40 °C ~ +85 °C	T1		●		
-40 °C ~ +105 °C	T2			○	
-40 °C ~ +125 °C	T3				○

● standard ○ available

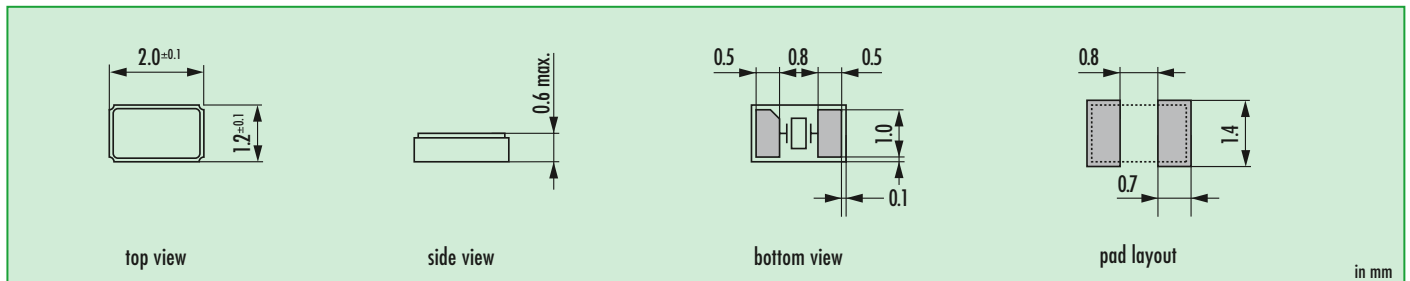
Marking

Factory code / CL code / date code / internal code

CL code: A = 12.5 pF, B = 9 pF, C = 7 pF

		Jan.	Feb.	Mar.	Apr.	May	Jun.	Jul.	Aug.	Sept.	Oct.	Nov.	Dec.
2015	2019	a	b	c	d	e	f	g	h	i	k	l	m
2016	2020	n	p	q	r	s	t	u	v	w	x	y	z
2017	2021	A	B	C	D	E	F	G	H	J	K	L	M
2018	2022	N	P	Q	R	S	T	U	V	W	X	Y	Z

Dimensions



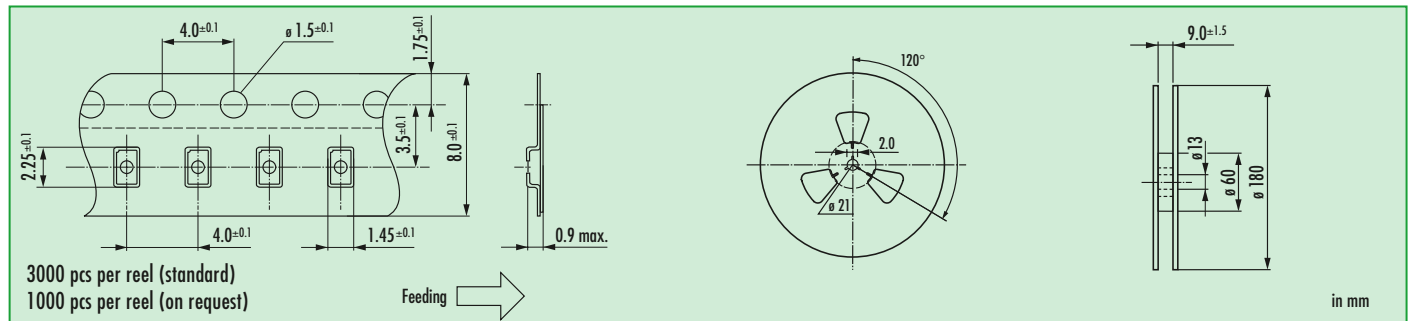
Order Information

Q	frequency	type	load capacitance	tolerance at 25 °C	option
Quartz	0.032768 MHz	JTX210	12.5 pF standard 9 pF 7 pF	20 = ± 20 ppm 30 = ± 30 ppm	blank = -20 °C ~ +70 °C T1 = -40 °C ~ +85 °C T2 = -40 °C ~ +105 °C T3 = -40 °C ~ +125 °C

Example: Q 0.032768-JTX210-12.5-20-T1-LF (Suffix LF = RoHS compliant / Pb free pads)

Quartz Crystal · JTX210

Taping Specification



Reflow Soldering Profile

