

DO NOT SCALE FROM THIS PRINT

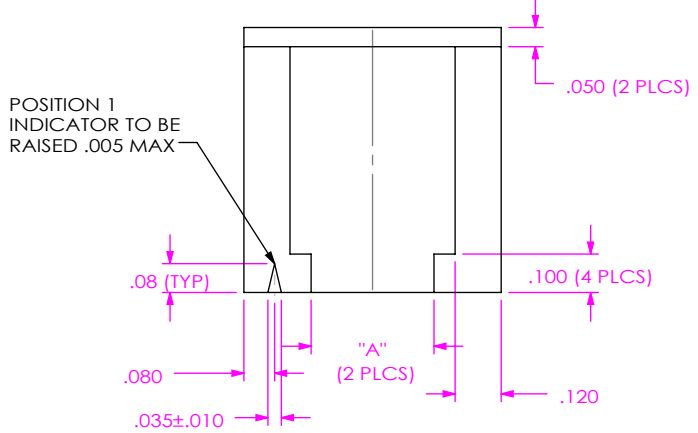


TABLE 1

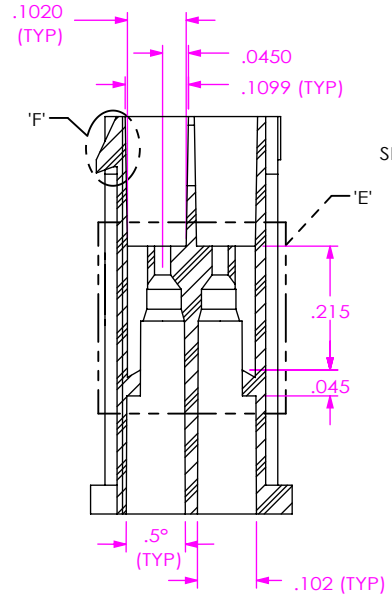
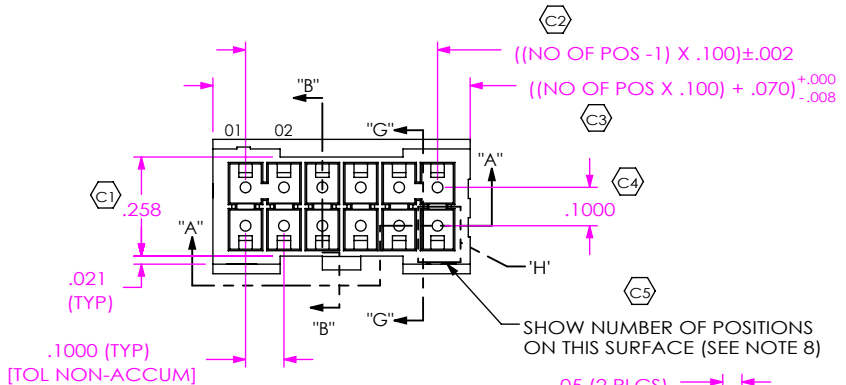
POSITIONS	"A"
-04	.220
-05 THRU -25	.320

IPM1-XX-X-XX

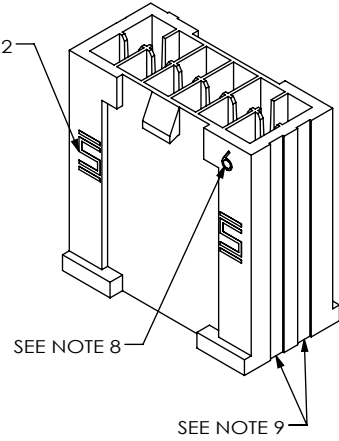
No OF POSITIONS
-02 THRU -25
(PER ROW)

- OPTIONS**
(LEAVE BLANK FOR NO OPTIONS)
-GP: GUIDE POST (SEE SHT 4, FIG. 5)
(ONLY AVAILABLE ON DOUBLE ROW)
*-SF: SPLASH FLANGE
(COLOR: BLACK;
-03, -04, & -05 TOOLED ONLY;
NOT AVAILABE WITH -S OR -GP)
- ROW SPECIFICATION**
-D: DOUBLE
-S: SINGLE (SEE SHT 3, FIG. 2 & 3)

FIG 1
IPM1-06-D SHOWN



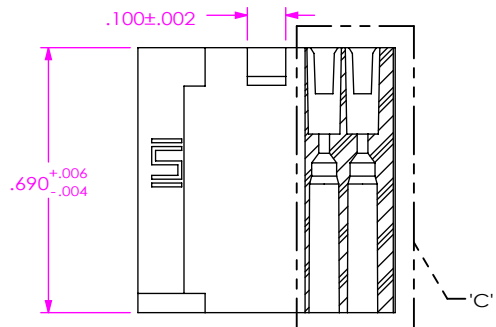
SEE NOTE 2



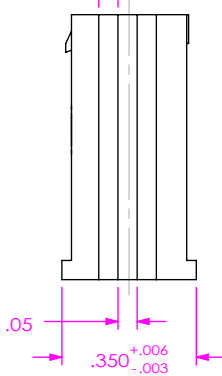
SECTION "B"- "B"
SCALE 3 : 1

NOTES:

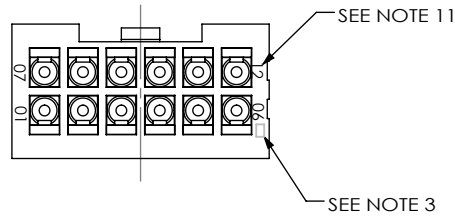
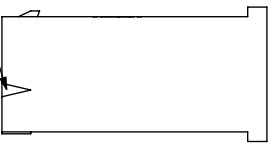
1. C REPRESENTS A CRITICAL DIMENSION.
2. SAMTEC LOGO SHALL APPEAR AT TWO EQUALLY SPACED LOCATIONS ON SURFACE SHOWN, APPROXIMATELY .094(2.39) x .055(1.40).
3. ALL MULTIPLE CAVITY MOLDS SHALL IDENTIFY EACH CAVITY WITH A DOT DESIGNATION LOCATED WHERE SHOWN.
4. ALL IDENTIFICATION MARKS MUST NOT STAND GREATER THAN .002(0.05) OFF THE SURFACE OF THE PART.
5. MOLDED SURFACES SHALL BE CONSISTENT AND SMOOTH. SURFACES TO BE FREE OF SCRATCHES, NICKS, SINK AREAS, VOIDS OR OTHER BLEMISHES.
6. MAX ALLOWABLE BOW; TOP/BOTTOM: .0025(0.064). SIDE/SIDE: .0020(0.051).
7. PART TO BE SYMMETRIC ABOUT CENTERLINE WITHIN ±.002 UNLESS INDICATED OTHERWISE.
8. NUMBER OF POSITIONS (PER ROW) TO BE SHOWN IN THIS AREA EXCLUDING 2, 3, & 4 POSITIONS. SIZE SIMILAR TO POSITION 1 INDICATOR.
9. GATE PADS MUST BE RECESSED .005.
10. END CORES ARE POLARIZED. CONFIRM GEOMETRY RELATIVE TO POSITION 1 INDICATOR & GATE PADS.
11. END POSITIONS TO BE SPECIFIED WHERE SHOWN.



SECTION "A"- "A"
SCALE 2 : 1



POSITION 1 INDICATOR TO BE RECESSED .0005 MAX



UNLESS OTHERWISE SPECIFIED, DIMENSIONS ARE IN INCHES.

TOLERANCES ARE:

DECIMALS	ANGLES
.XX: ±.01	2°
.XXX: ±.003	
.XXXX: ±.0015	

PROPRIETARY NOTE
THIS DOCUMENT CONTAINS CONFIDENTIAL AND PROPRIETARY INFORMATION AND ALL DESIGN, MANUFACTURING, REPRODUCTION, USE, PATENT RIGHTS AND SALES RIGHTS ARE EXPRESSLY RESERVED BY SAMTEC, INC. THIS DOCUMENT SHALL NOT BE DISCLOSED, IN WHOLE OR PART, TO ANY UNAUTHORIZED PERSON OR ENTITY NOR REPRODUCED, TRANSFERRED OR INCORPORATED IN ANY OTHER PROJECT IN ANY MANNER WITHOUT THE EXPRESS WRITTEN CONSENT OF SAMTEC, INC.

MATERIAL: DO NOT SCALE DRAWING SHEET SCALE: 2:1
ZYTEL PA66 101F, COLOR: WHITE
-SF: BLACK

MAX REGRIND: 25%
MAX FLASH ALLOWED: .004
MAX GATE VESTIGE: .002

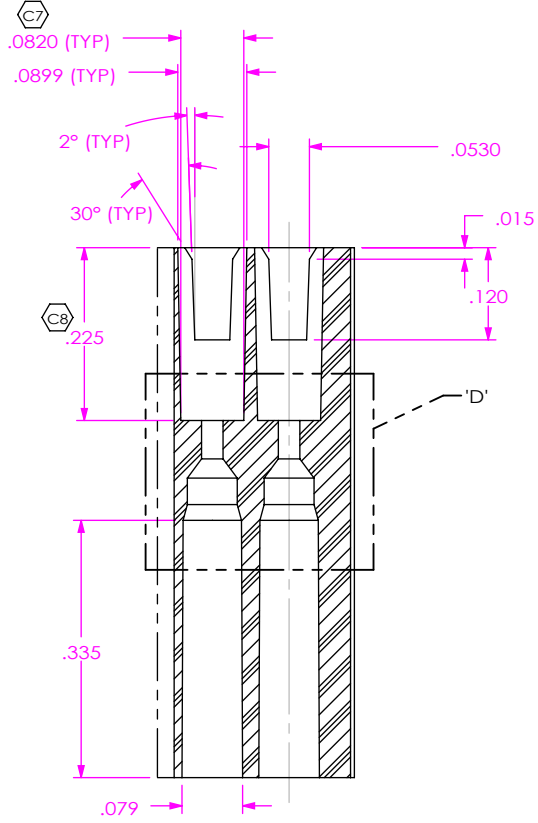
C:\EnterpriseVault\DWG\MISC\MKTG\IPM1-XX-X-XX-MKT.SLDDRW

520 PARK EAST BLVD, NEW ALBANY, IN 47150
PHONE: 812-944-6733 FAX: 812-948-5047
e-Mail: info@SAMTEC.com code 55322

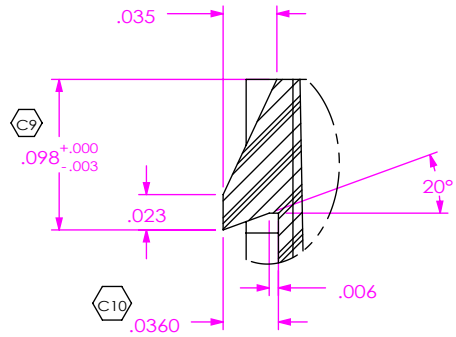
DESCRIPTION:
.100 SHROUDED TERMINAL CABLE END

DWG. NO.
IPM1-XX-X-XX

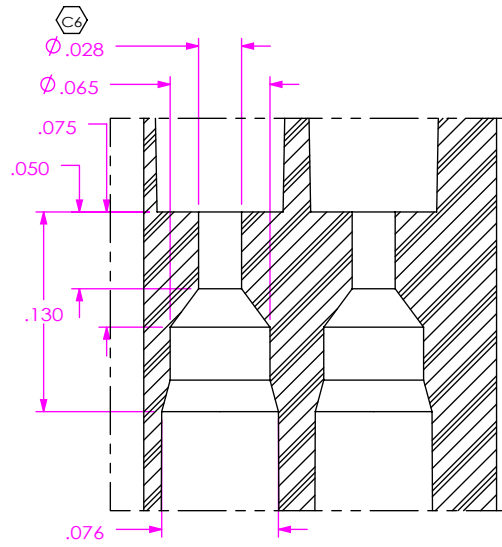
BY: D. SCHMELZ 12/04/2008 SHEET 1 OF 4



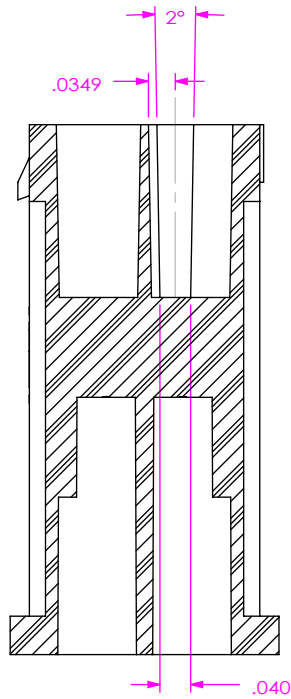
DETAIL 'C'
SCALE 4 : 1



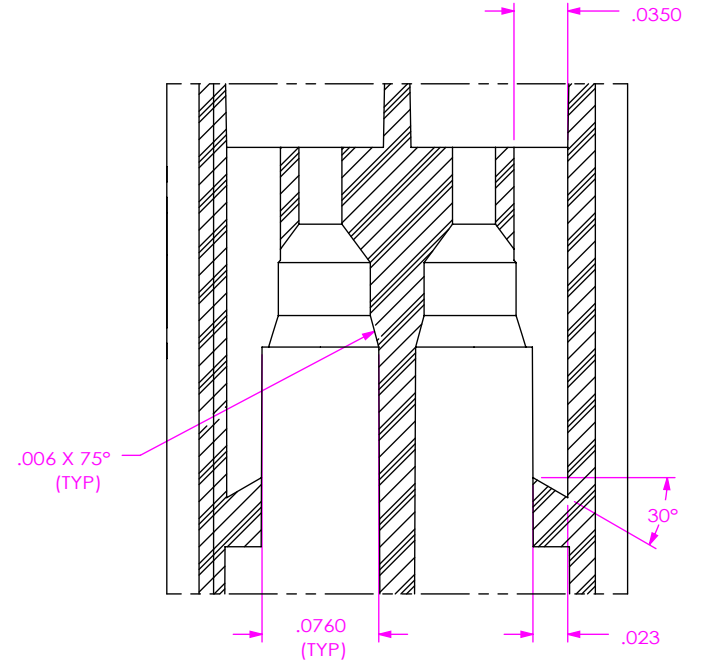
DETAIL 'F'
SCALE 8 : 1



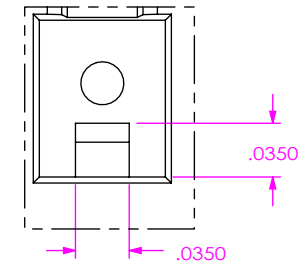
DETAIL 'D'
SCALE 8 : 1



SECTION 'G'-'G'
SCALE 4 : 1



DETAIL 'E'
SCALE 8 : 1



DETAIL 'H'
SCALE 8 : 1

PROPRIETARY NOTE
THIS DOCUMENT CONTAINS CONFIDENTIAL AND PROPRIETARY INFORMATION AND ALL DESIGN, MANUFACTURING, REPRODUCTION, USE, PATENT RIGHTS AND SALES RIGHTS ARE EXPRESSLY RESERVED BY SAMTEC, INC. THIS DOCUMENT SHALL NOT BE DISCLOSED, IN WHOLE OR PART, TO ANY UNAUTHORIZED PERSON OR ENTITY NOR REPRODUCED, TRANSFERRED OR INCORPORATED IN ANY OTHER PROJECT IN ANY MANNER WITHOUT THE EXPRESS WRITTEN CONSENT OF SAMTEC, INC.

DO NOT SCALE DRAWING

SHEET SCALE: 3:1

samtec

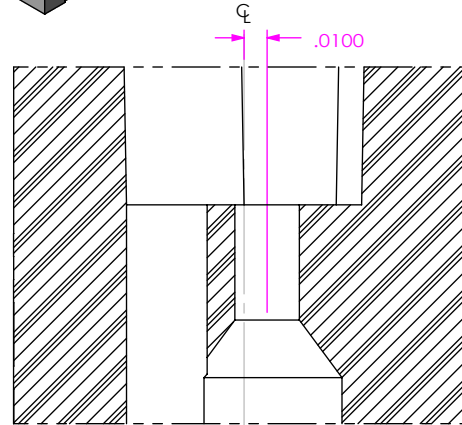
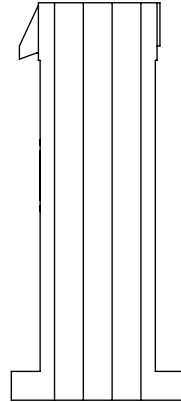
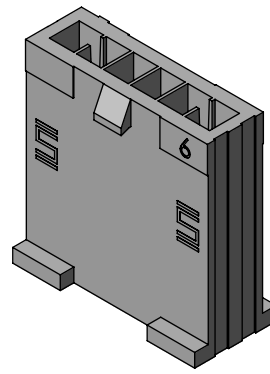
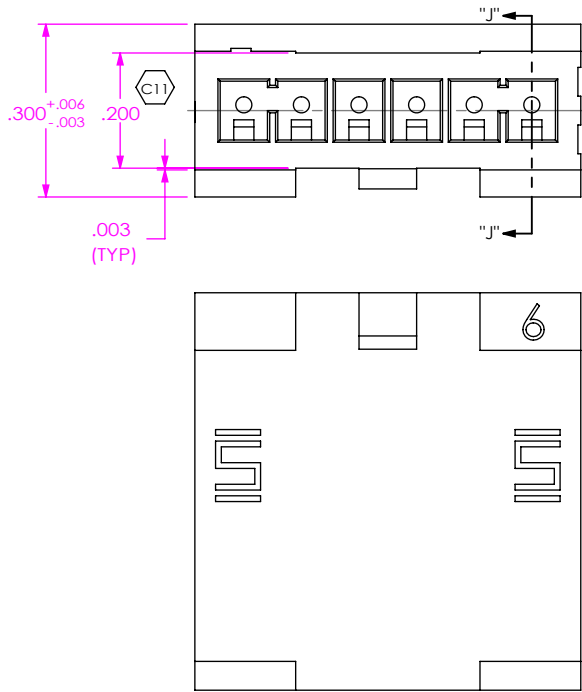
520 PARK EAST BLVD, NEW ALBANY, IN 47150
PHONE: 812-944-6733 FAX: 812-948-5047
e-Mail: info@SAMTEC.com code 55322

DESCRIPTION:
.100 SHROUDED TERMINAL CABLE END

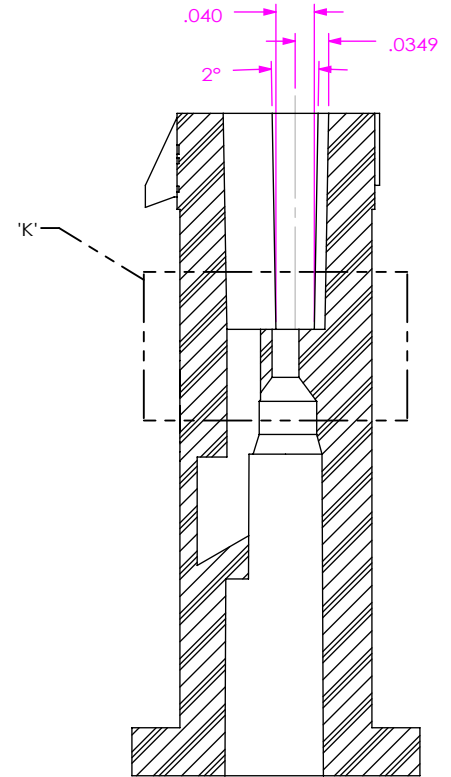
DWG. NO.
IPM1-XX-X-XX

BY: D. SCHMELZ 12/04/2008 SHEET 2 OF 4

FIG 2
IPM1-06-S SHOWN
(DIFFERENT AS SHOWN, OTHERWISE SAME AS FIG 1)



DETAIL 'K'
SCALE 12:1



SECTION "J"-"J"
SCALE 5:1

FIG 3
APPLIES TO -02 & -03 POSITIONS ONLY
IPM1-02-S SHOWN
(DIFFERENT AS SHOWN, OTHERWISE SAME AS FIG 2)

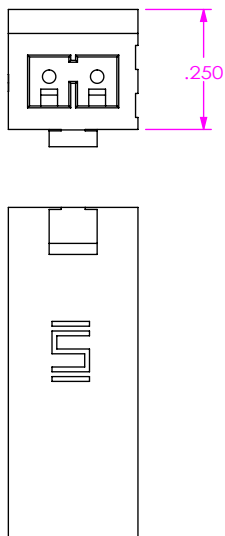
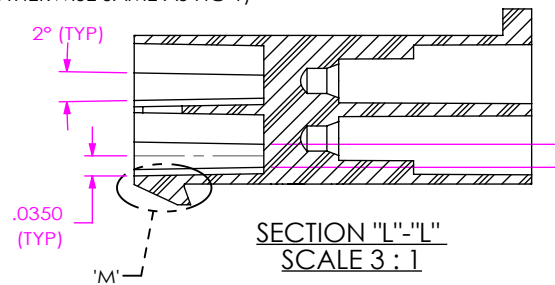
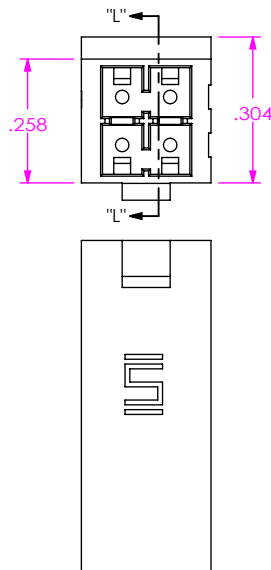
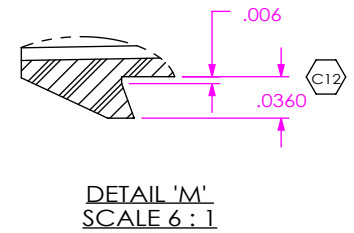


FIG 4
APPLIES TO -02 & -03 POSITIONS ONLY
IPM1-02-D SHOWN
(DIFFERENT AS SHOWN, OTHERWISE SAME AS FIG 1)



SECTION "L"-"L"
SCALE 3:1



DETAIL 'M'
SCALE 6:1

C:\EnterpriseVault\DWG\MISC\MKTG\IPM1-XX-X-XX-MKT.SLDDRW

PROPRIETARY NOTE
THIS DOCUMENT CONTAINS CONFIDENTIAL AND PROPRIETARY INFORMATION AND ALL DESIGN, MANUFACTURING, REPRODUCTION, USE, PATENT RIGHTS AND SALES RIGHTS ARE EXPRESSLY RESERVED BY SAMTEC, INC. THIS DOCUMENT SHALL NOT BE DISCLOSED, IN WHOLE OR IN PART, TO ANY UNAUTHORIZED PERSON OR ENTITY NOR REPRODUCED, TRANSFERRED OR INCORPORATED IN ANY OTHER PROJECT IN ANY MANNER WITHOUT THE EXPRESS WRITTEN CONSENT OF SAMTEC, INC.

DO NOT SCALE DRAWING

SHEET SCALE: 3:1



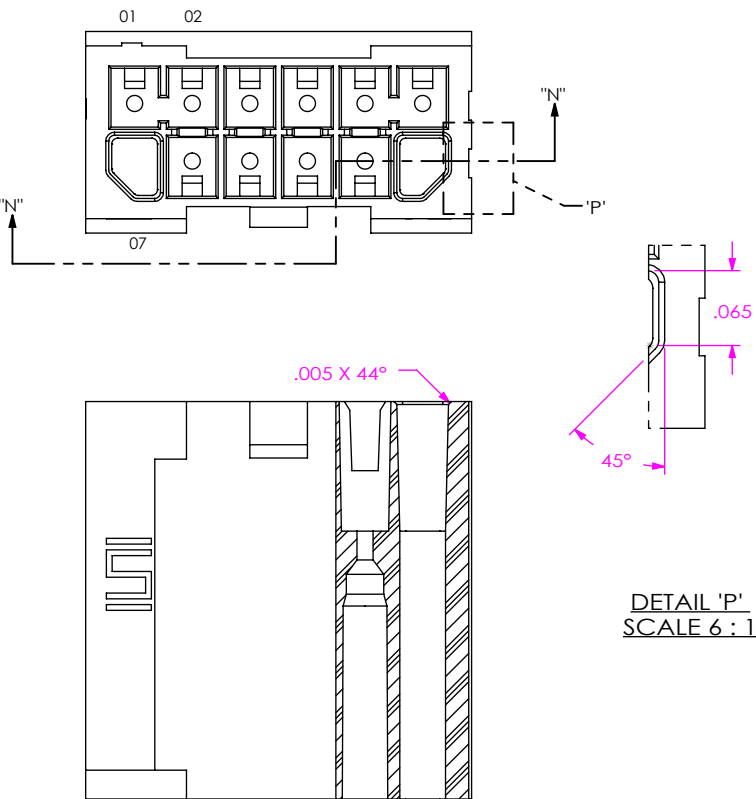
520 PARK EAST BLVD. NEW ALBANY, IN 47150
PHONE: 812-944-6733 FAX: 812-948-5047
e-Mail: info@SAMTEC.com code 55322

DESCRIPTION:
.100 SHROUDED TERMINAL CABLE END

DWG. NO.
IPM1-XX-X-XX

BY: D. SCHMELZ 12/04/2008 SHEET 3 OF 4

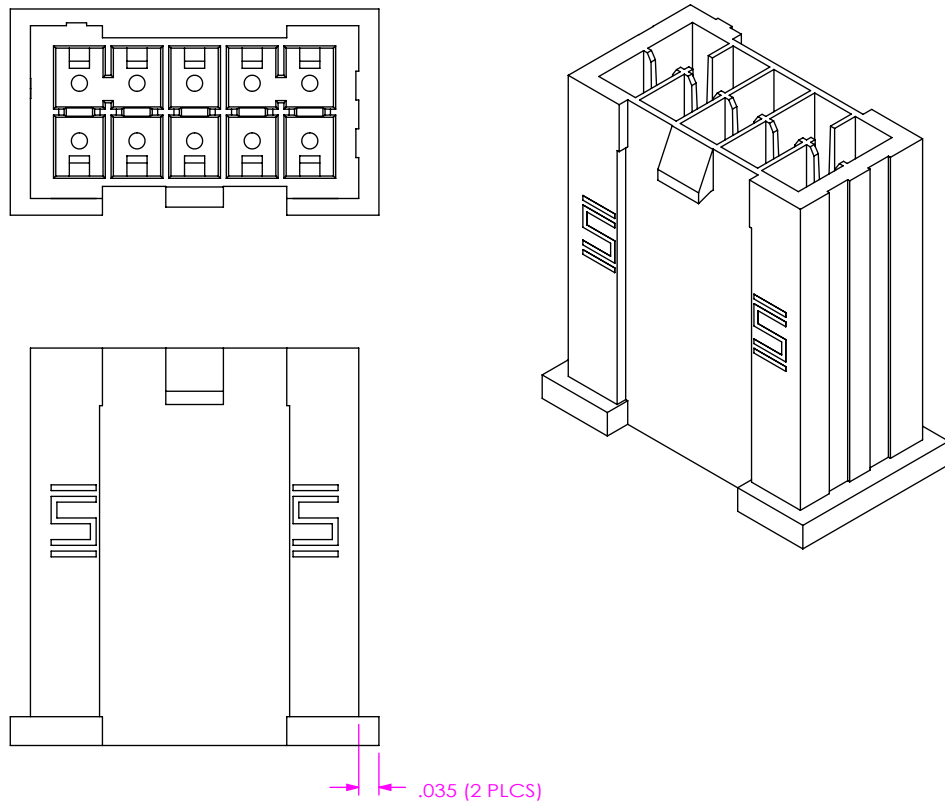
FIG 5
 IPM1-06-D-GP SHOWN
 (SAME AS FIG 1, UNLESS OTHERWISE STATED)
 (ONLY AVAILABLE ON DOUBLE ROW)



SECTION "N"-N"
 SCALE 3 : 1

DETAIL 'P'
 SCALE 6 : 1

FIG 6
 *IPM1-05-D-SF SHOWN
 (DIFFERENT AS SHOWN, OTHERWISE SAME AS FIG 1)
 (-03, -04, & -05 TOOLED ONLY, *NOT RELEASED FOR PRODUCTION)



.035 (2 PLCS)

PROPRIETARY NOTE

THIS DOCUMENT CONTAINS CONFIDENTIAL AND PROPRIETARY INFORMATION AND ALL DESIGN, MANUFACTURING, REPRODUCTION, USE, PATENT RIGHTS AND SALES RIGHTS ARE EXPRESSLY RESERVED BY SAMTEC, INC. THIS DOCUMENT SHALL NOT BE DISCLOSED, IN WHOLE OR PART, TO ANY UNAUTHORIZED PERSON OR ENTITY NOR REPRODUCED, TRANSFERRED OR INCORPORATED IN ANY OTHER PROJECT IN ANY MANNER WITHOUT THE EXPRESS WRITTEN CONSENT OF SAMTEC, INC.

SHEET SCALE: 3:1



520 PARK EAST BLVD, NEW ALBANY, IN 47150
 PHONE: 812-944-6733 FAX: 812-948-5047
 e-Mail info@SAMTEC.com code 55322

DESCRIPTION:
 .100 SHROUDED TERMINAL CABLE END

DWG. NO.
 IPM1-XX-X-XX

BY: D. SCHMELZ 12/04/2008 SHEET 4 OF 4