

**Technical specification :**

Rated voltage: IEC 61076-2-104	30 V
Current rating: IEC 61076-2-104	3 A at 40°C
Insulation resistance: IEC 60512	≥100 MΩ
Pollution degree: IEC 60664-1	3/2
Degree of protection: IEC 60529	IP 67, in mated condition
Temperature range: IEC 60664-1	-30°C ... +80°C
Mating cycles: IEC 60512-9a	≥100

**Materials:**

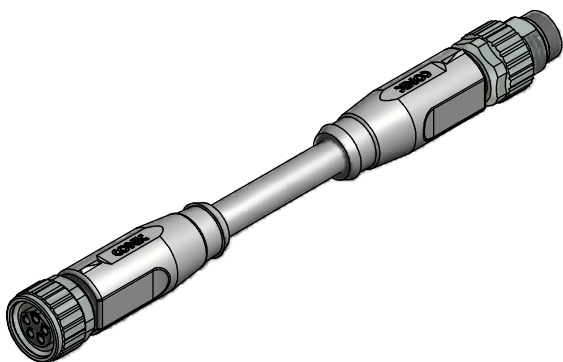
Contact:	CuZn
Contact plating:	Nickel, gold plated
Contact carrier:	TPU GF, UL 94
Sealing:	FPM
Coupling nut/ screw:	GD-Zn, nickel plated
Moulding body:	TPU, UL 94, grey

**Installation specification:**

Recommended torque:	0,4 Nm
Conec installation tool:	Torque wrench: 36-000200 Insert across flats 9: 36-000210

**Contact assignment:**

- 1) brown
- 2) white
- 3) blue
- 4) black
- 5) grey



Part no:	Description:	Length L:	Cable:
42-11141	SAL - 8B - RK5.1 - RS5.1 - 0,3 / A1	0,3m	PVC, grey 5x0,25mm <sup>2</sup> Cable: 781-A1250G
42-11142	SAL - 8B - RK5.1 - RS5.1 - 0,6 / A1	0,6m	
42-11143	SAL - 8B - RK5.1 - RS5.1 - 1,5 / A1	1,5m	
42-11144	SAL - 8B - RK5.1 - RS5.1 - 3 / A1	3m	
42-xxxxx	SAL - 8B - RK5.1 - RS5.1 - ... / A1	x	

D see data sheet cable

DO NOT ALTER CAD DRAWING BY HAND Directive 2002/95/EC RoHS compliant	Index:a 23.08.11 BCB Ä3941 data modified	dim. in mm	title: <b>Connecting cable M8x1, female connector axial - male connector axial, screw, B-coding</b>		
	tolerance of cable: L ≤ 4m: L + 40mm L > 4m: L + 1%	date		name	dwg no:
	THIS DRAWING MAY NOT BE COPIED OR REPRODUCED IN ANY WAY, AND MAY NOT BE PASSED ON TO A THIRD PARTY WITHOUT WRITTEN PERMISSION. OWNERSHIP AND COPYRIGHT OF CONEC GmbH	drawn 03.09.10 appd. 03.09.10		Fromm Mankopf	42K1A251
<b>CONEC</b> ®			part no: see table		