

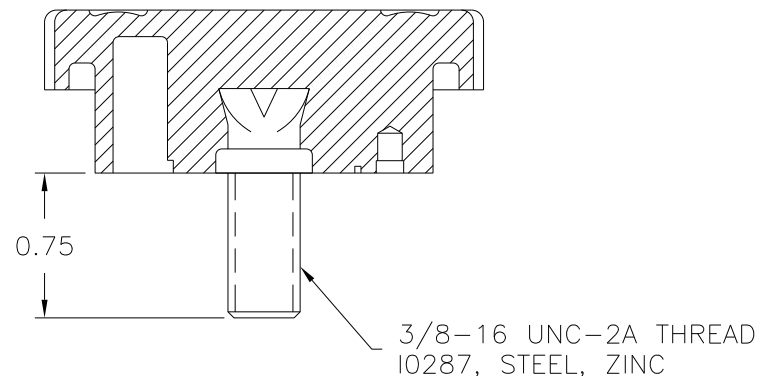
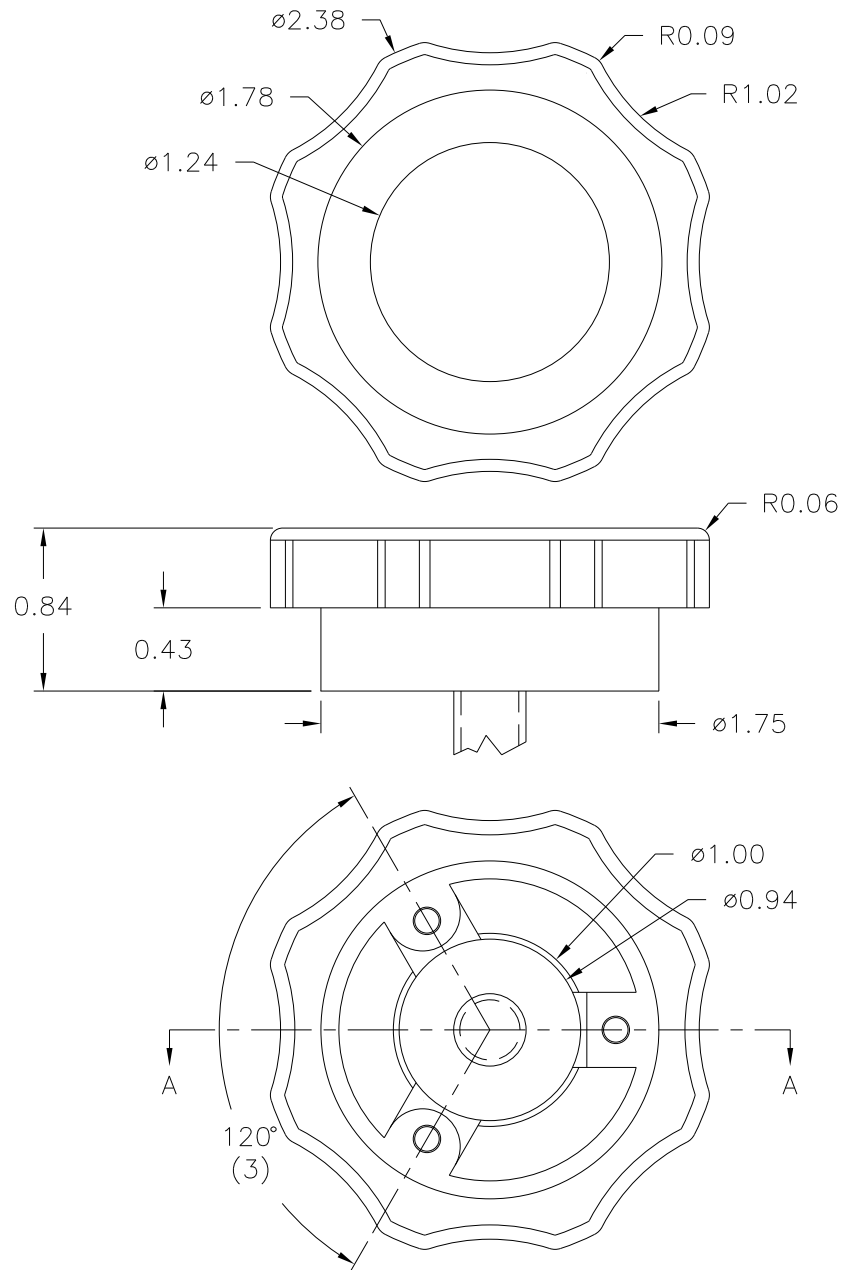
PART NAME: KNOB SCALE: 1:1 DATE: 1/3/79 DR. BY HD

THIS DRAWING IS THE PROPERTY OF DAVIES MOLDING COMPANY, IS SUBMITTED SOLELY AS A DESIGN OR ENGINEERING PROJECT. WE ACCEPT NO RESPONSIBILITY WHATSOEVER FOR THE PRACTICAL APPLICATION OF THE PIECES MADE TO THIS DESIGN.



DESIGNERS & MANUFACTURERS OF KNOBS, HANDLES, CASES & CUSTOM PLASTIC COMPONENTS

| | |
|------------------|-------------|
| P/N | 4103HJ |
| M ^{NO.} | 4103 |
| PLUNGER | 4103 |
| CAVITY | 4103 |
| CAVITY PLUG | 4103 |
| CAVITY PLUG PIN | LONG(1.183) |
| PIN | 4103-N |
| INSERT | I0287 |



SECTION A-A

MATERIAL: G.P. PHENOLIC (B11)
COLOR: BLACK

| | | | |
|---|--|--------------|-------------|
| TOLERANCES: UNLESS OTHERWISE SPECIFIED | DO NOT SCALE DRAWING | | |
| DECIMALS: X.XXX \pm .005 X.XX \pm .015 | MM: X.XX \pm 0.15MM X.X \pm 0.4MM | - REDRAW | JAM 5/23/02 |
| FRACTIONS \pm 1/64 | ANG. \pm 1° | - CAD REDRAW | HD 9/12/97 |
| CHANGES | | | |