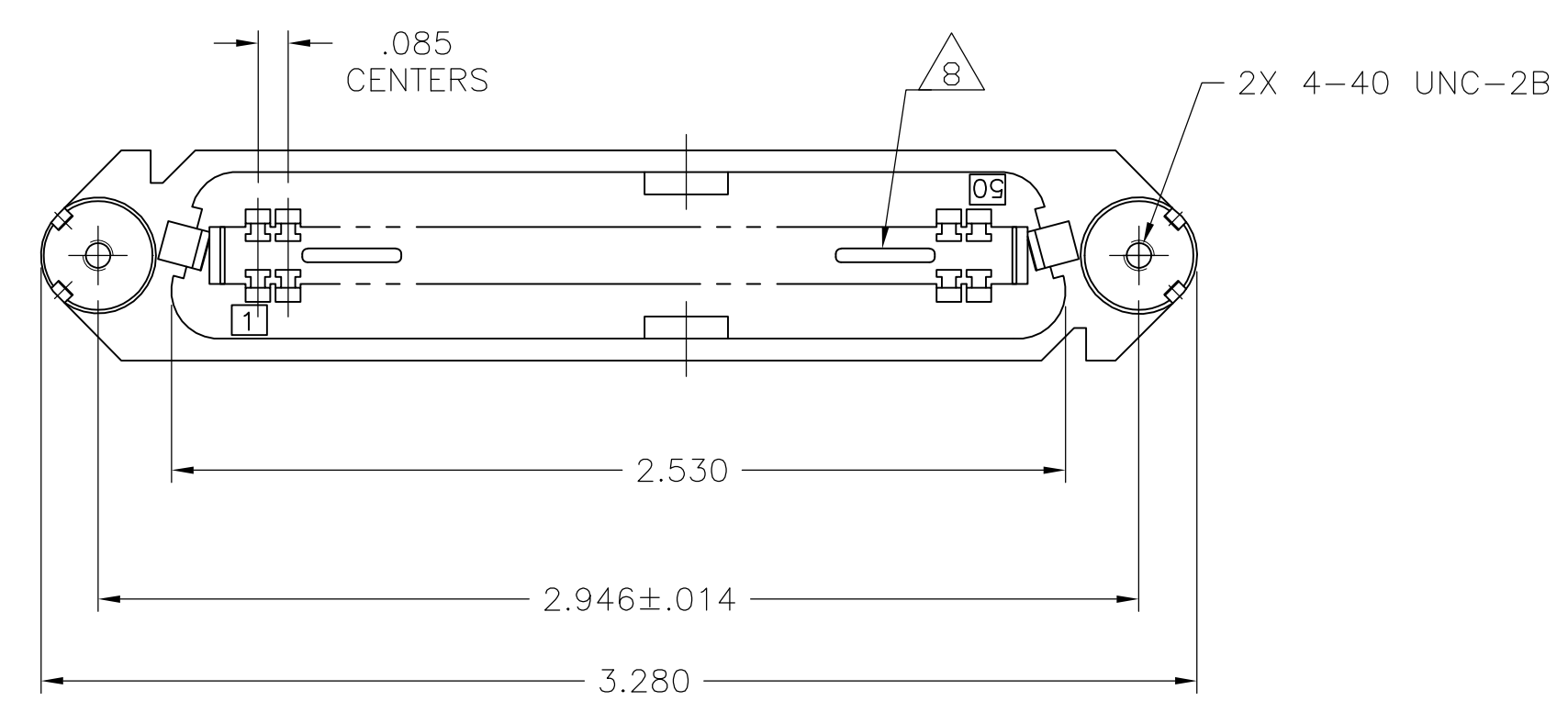
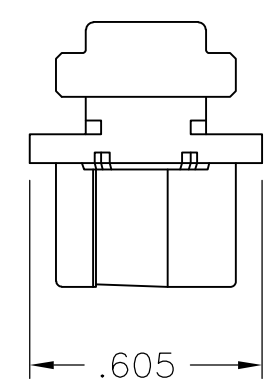
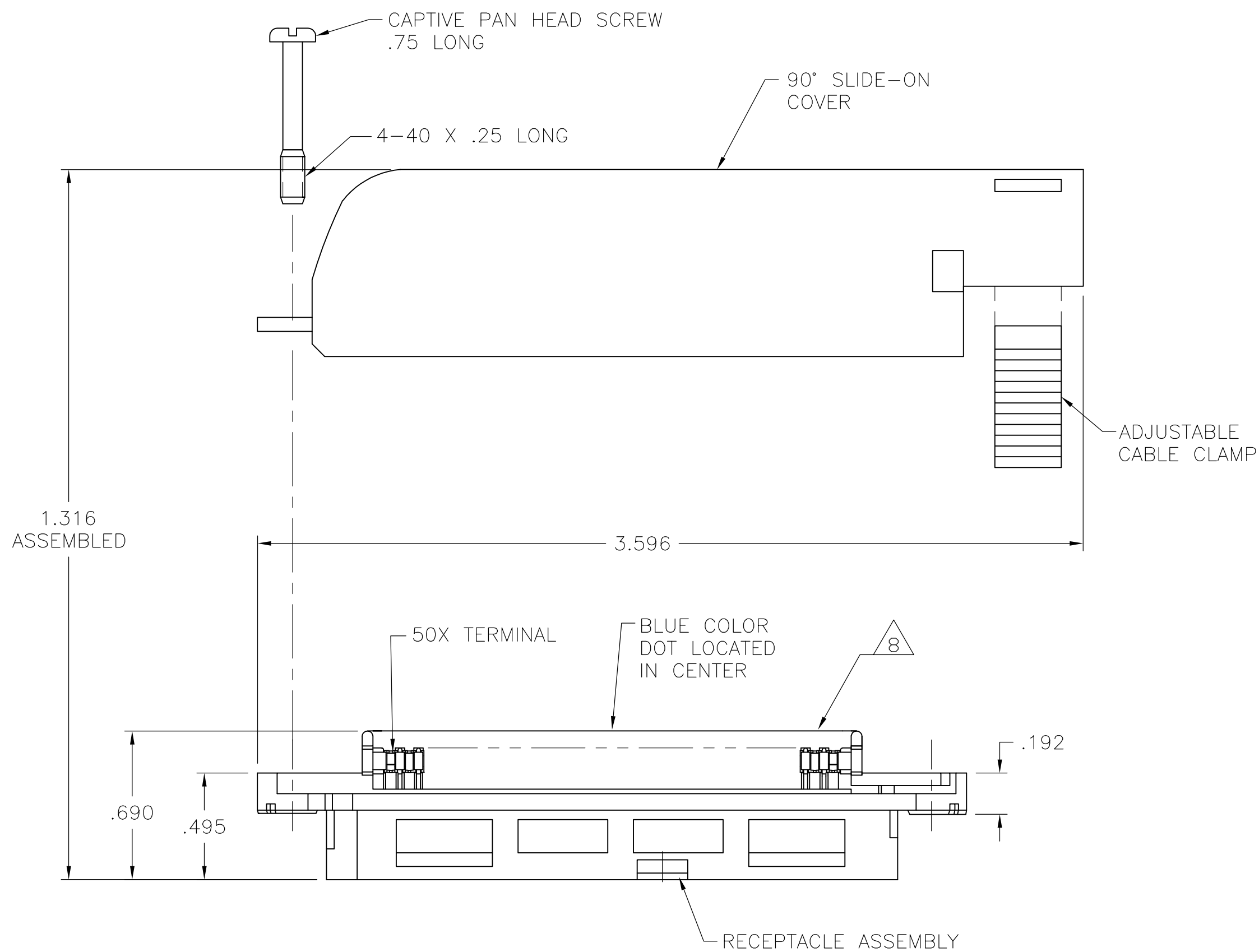


THIS DRAWING IS UNPUBLISHED. RELEASED FOR PUBLICATION
 © COPYRIGHT BY TYCO ELECTRONICS CORPORATION. ALL RIGHTS RESERVED.

LOC	DIST	REVISIONS			
P	LTR	DESCRIPTION	DATE	DWN	APVD
GP	00	B	REVISED PER ECO-08-007327	02OCT08	BM WM



1. THE CONTACT SURFACES OF THE TERMINALS ARE COATED WITH LUBRICANT.
2. ALL DIMENSIONS ARE MAXIMUM UNLESS OTHERWISE SPECIFIED.
- 3 MATERIAL:
 HOUSING, COVER, AND CABLE CLAMP: POLYPHENYLENE OXIDE GRAY.
 TERMINAL: HIGH STRENGTH COPPER ALLOY PLATED WITH .000030 MIN GOLD OR GOLD FLASH OVER PALLADIUM NICKEL PLATE, .000030 MIN TOTAL ON MATING SURFACES. .000050 MIN NICKEL UNDERPLATE ON ENTIRE TERMINAL.
4. COVER, SCREW & CABLE CLAMP SHIPPED UNASSEMBLED.
5. WIRE SIZE: 24-26 AWG SOLID 7 OR 24 AWG STRANDED COPPER CONDUCTORS, MAXIMUM INSULATION DIAMETER OF .045 IS ACCEPTABLE FOR MOST APPLICATIONS.
6. CABLE RANGE: .425 DIAMETER MAX.
7. 500 KITS BULK PACKAGED.
- 8 CORING IS AN OPTIONAL CONFIGURATION AND IS AT THE DISCRETION OF AMP.

WITHOUT DUST COVER	5556006-2
DESCRIPTION	PART NUMBER

THIS DRAWING IS A CONTROLLED DOCUMENT.		DWN B. MCMASTER 27OCT05	Tyco Electronics Corporation Harrisburg, PA 17105-3608	
DIMENSIONS: INCHES	TOLERANCES UNLESS OTHERWISE SPECIFIED:	CHK W. MILLHIMES 27OCT05	NAME	
	0 PLC ± -	APVD W. MILLHIMES 27OCT05	RECEPTACLE KIT, 50 POSITION, B-SLOT, WITH 90 DEGREE COVER AND SCREW, CHAMP-LOK	
	1 PLC ± -	PRODUCT SPEC	SIZE A2	CAGE CODE 00779
	2 PLC ± -	APPLICATION SPEC	DRAWING NO C=5556006	RESTRICTED TO
	3 PLC ± -		SCALE 2:1	SHEET 1 of 1
	4 PLC ± -			REV B
	ANGLES ± -			
MATERIAL	FINISH	WEIGHT -	CUSTOMER DRAWING	
3	3			

5556006