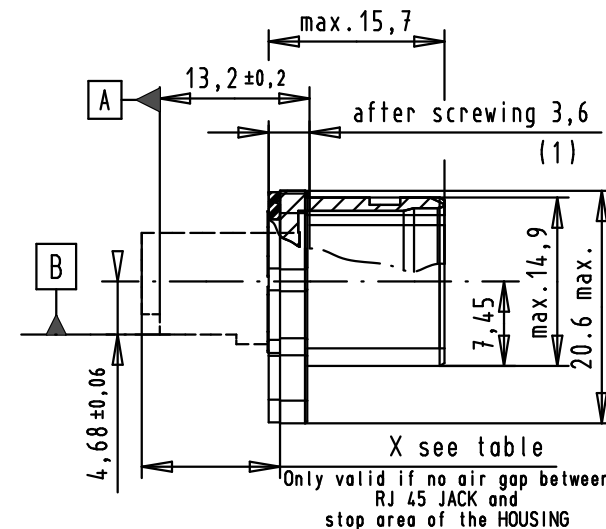
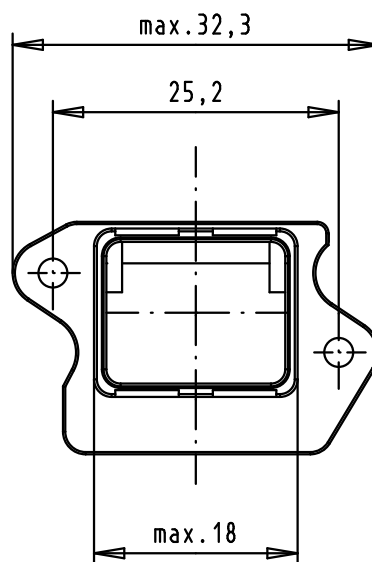
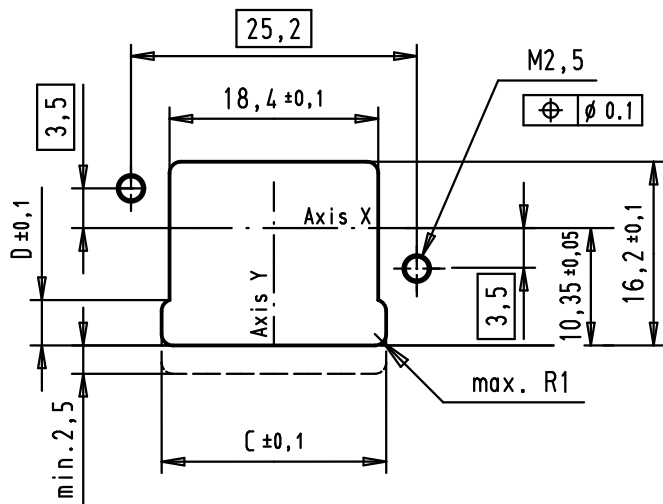
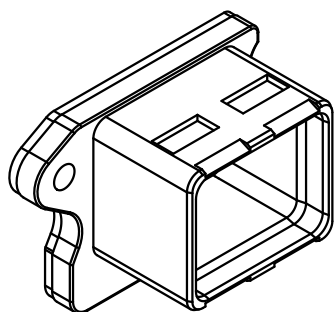


Panel cutting I



C = 19,8 and D = 4,0 for solder pin data layout
 C = 21,0 and D = 4,1 for SMD data layout

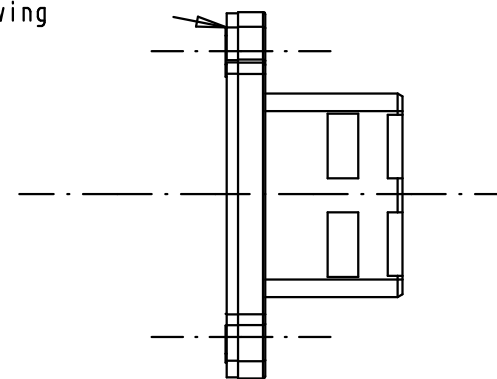


Connector pitch on panel:
 Axis X = 27 mm and Axis Y = 21 mm
 Receptacle mating side according to
 600076-3-106 IEC - variant 04



RJ 45 jack mating references A and B
 according to IEC 60603-7

(1) Screwing x2 M2.5 screws between 0.5N.m and 0.8N.m
 screw according to DIN 912 and ISO 4762

1 mm tickness flat seal
 before screwing



NO AIR GAP BETWEEN RJ45 JACK AND HOUSING		
RJ 45 JACK VARIANT	TB	X
angled jack SMD variant	09 45 551 1100	17.6 +/-0.4
angled jack SOLDER PIN variant	09 45 551 1102	17.6 +/-0.4

Mod.	Dot.	Name	Dot.	Name	 All Dim. in mm Orig. Size DIN A 4	Push pull RJ Industrial Thermoplastic IP67 Receptacle And flat Seal for angled jacks	Maßstab/ Scale 1,5:1
EC01204	12/01/10	AB	Detail.	09/08/05			
35413	17/11/08	AB	Insp.				
35307	15/09/08	AB	Stand.				
33093	12/09/05	AM	HARTING EURL F-95972 Paris			TB 09 45 545 00 23	Blatt/ Page 1 / 1
32985	09/08/05	AM					
Sub.							