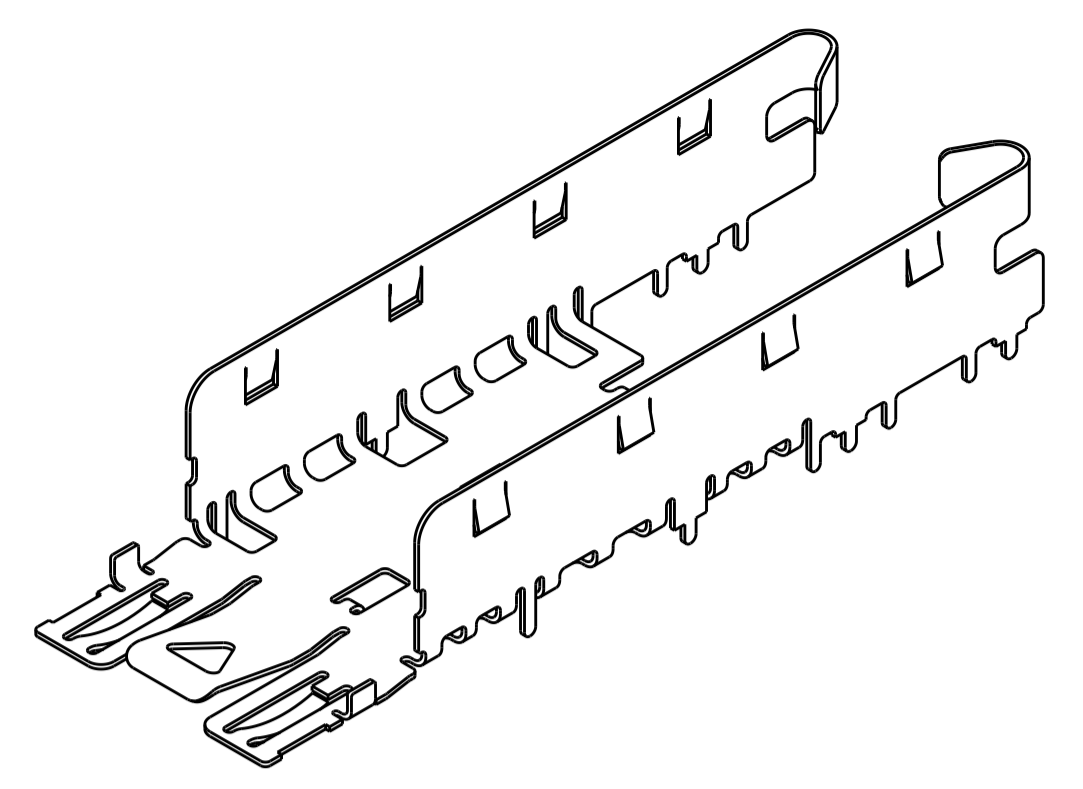
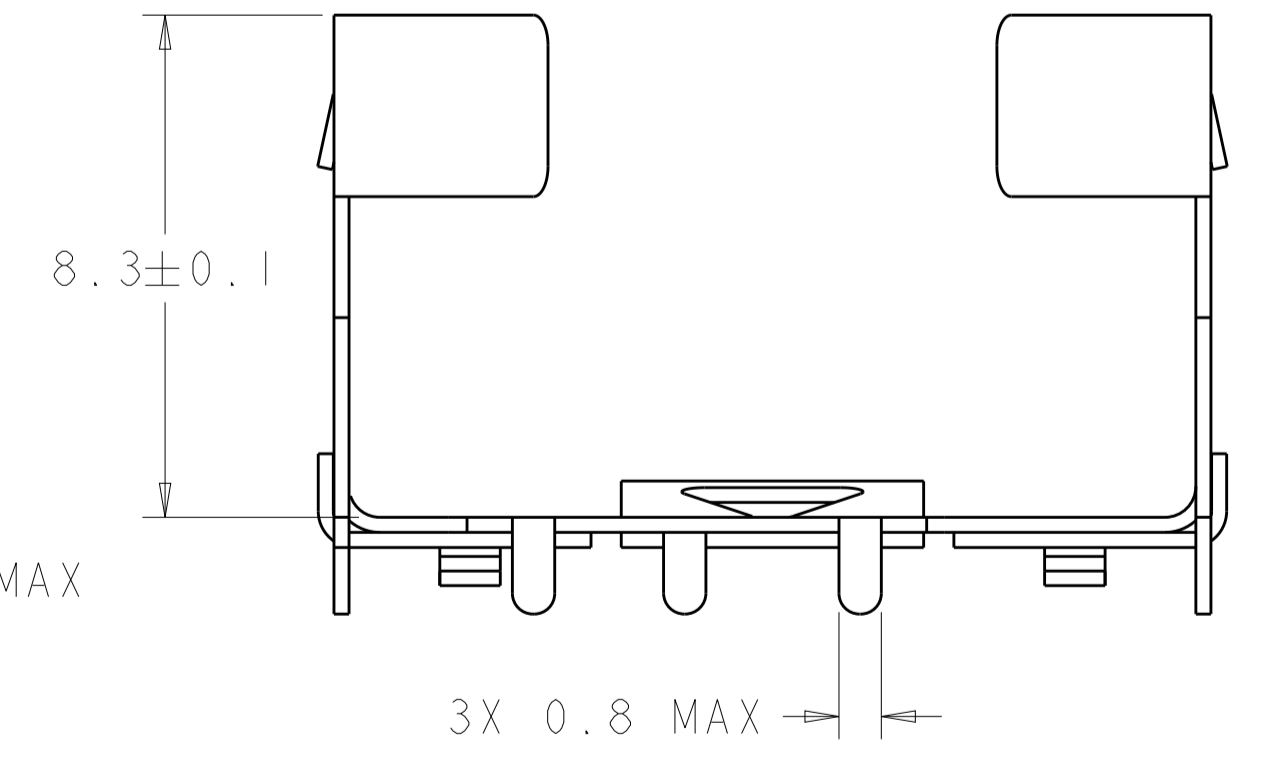
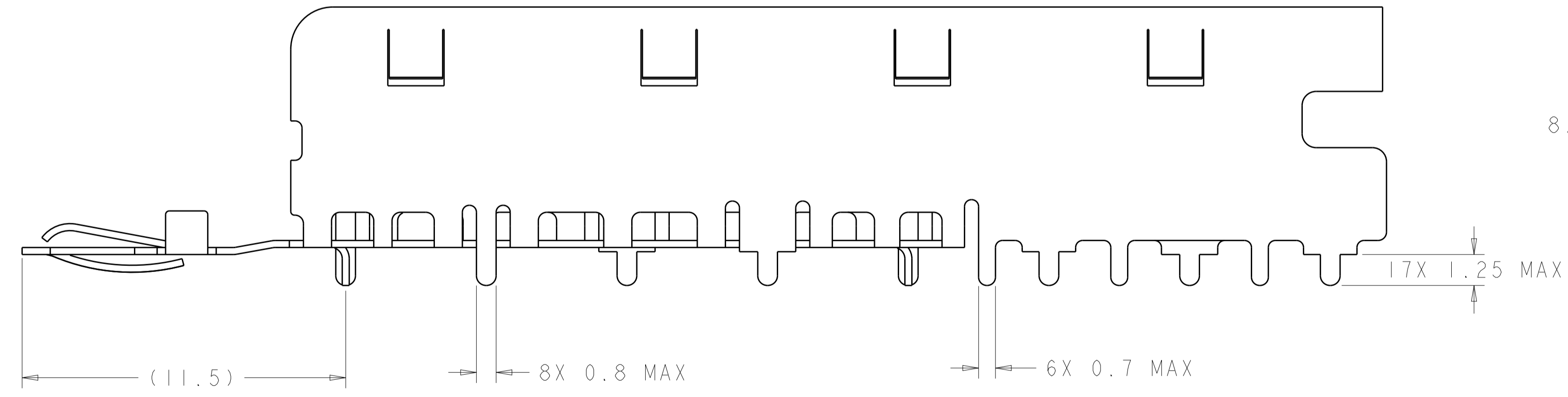
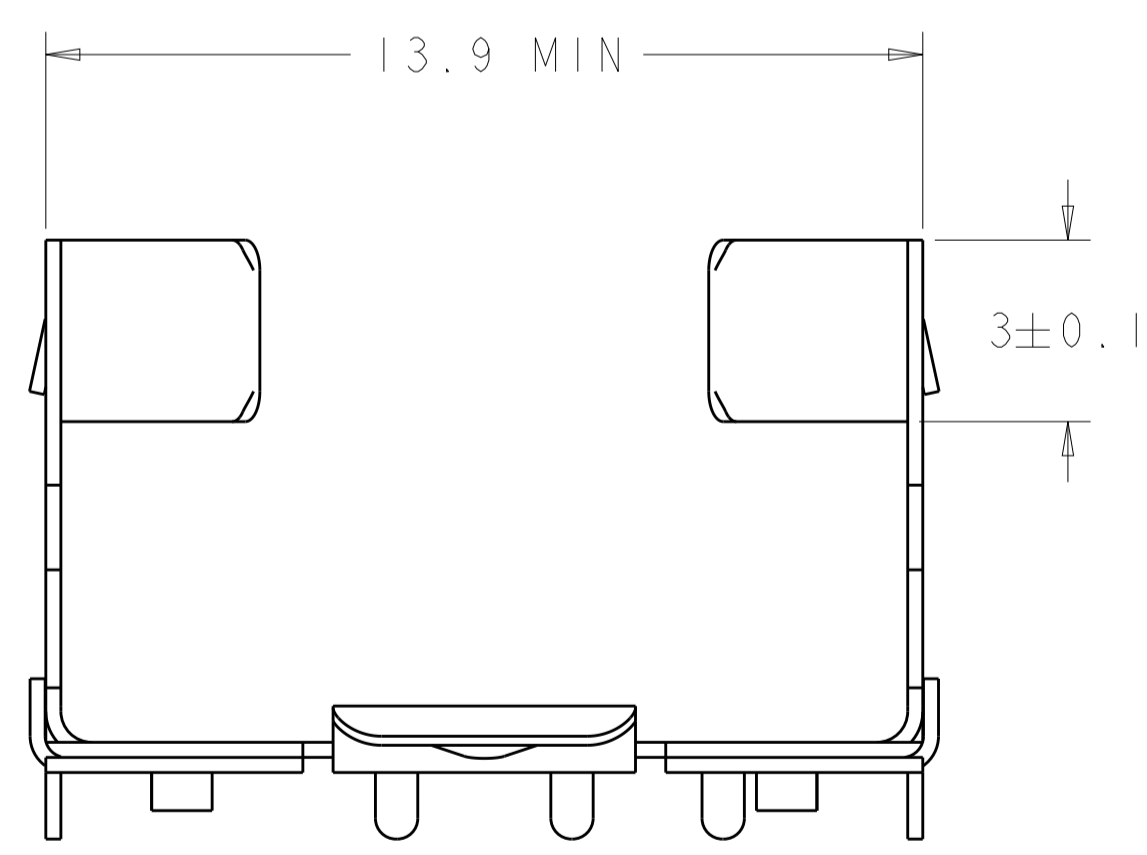
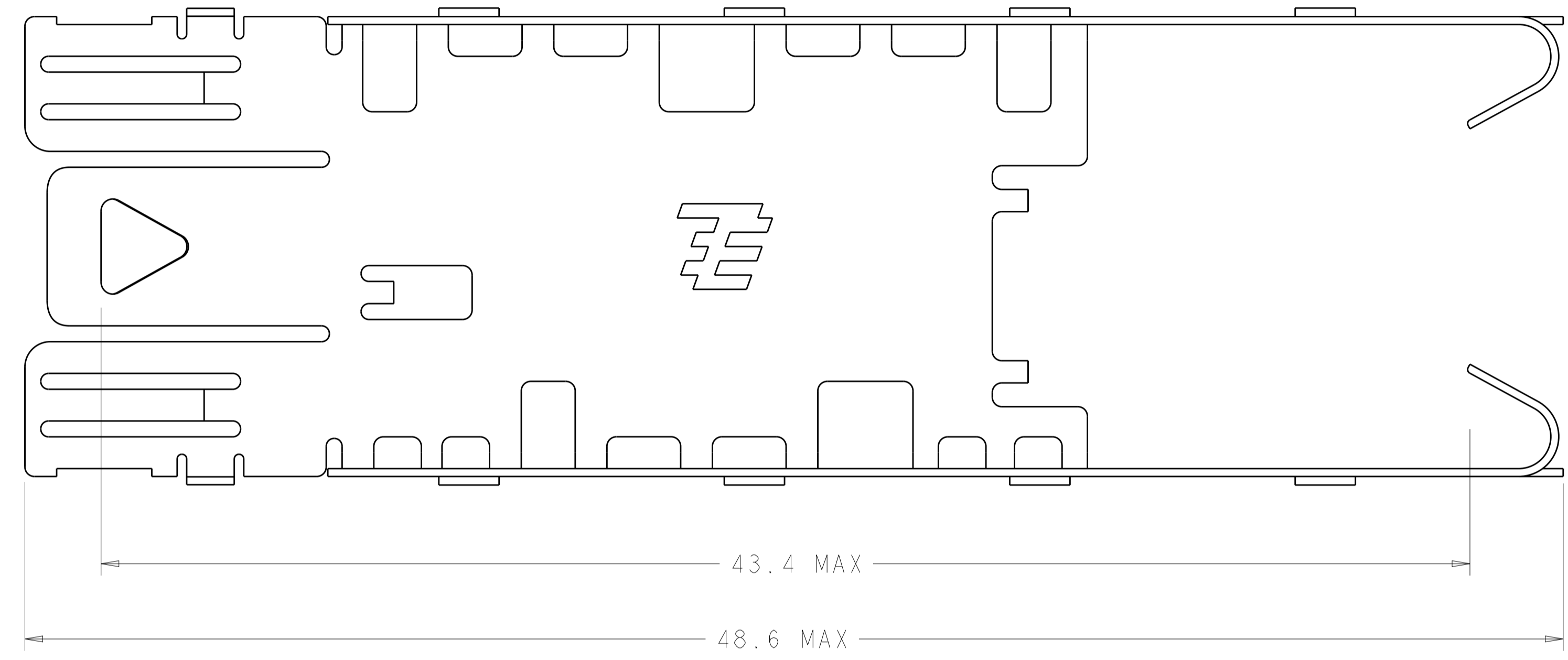


LOC		DIST		REVISIONS			
GP	00	P	LTH	DESCRIPTION	DATE	DWN	APVD
		C1		REVISED PER ECO-11-005033	19MAR2011	RK	HMR
		C2		REVISED PER ECO-18-004515	23MAR2018	IT	SH



SCALE 3:1

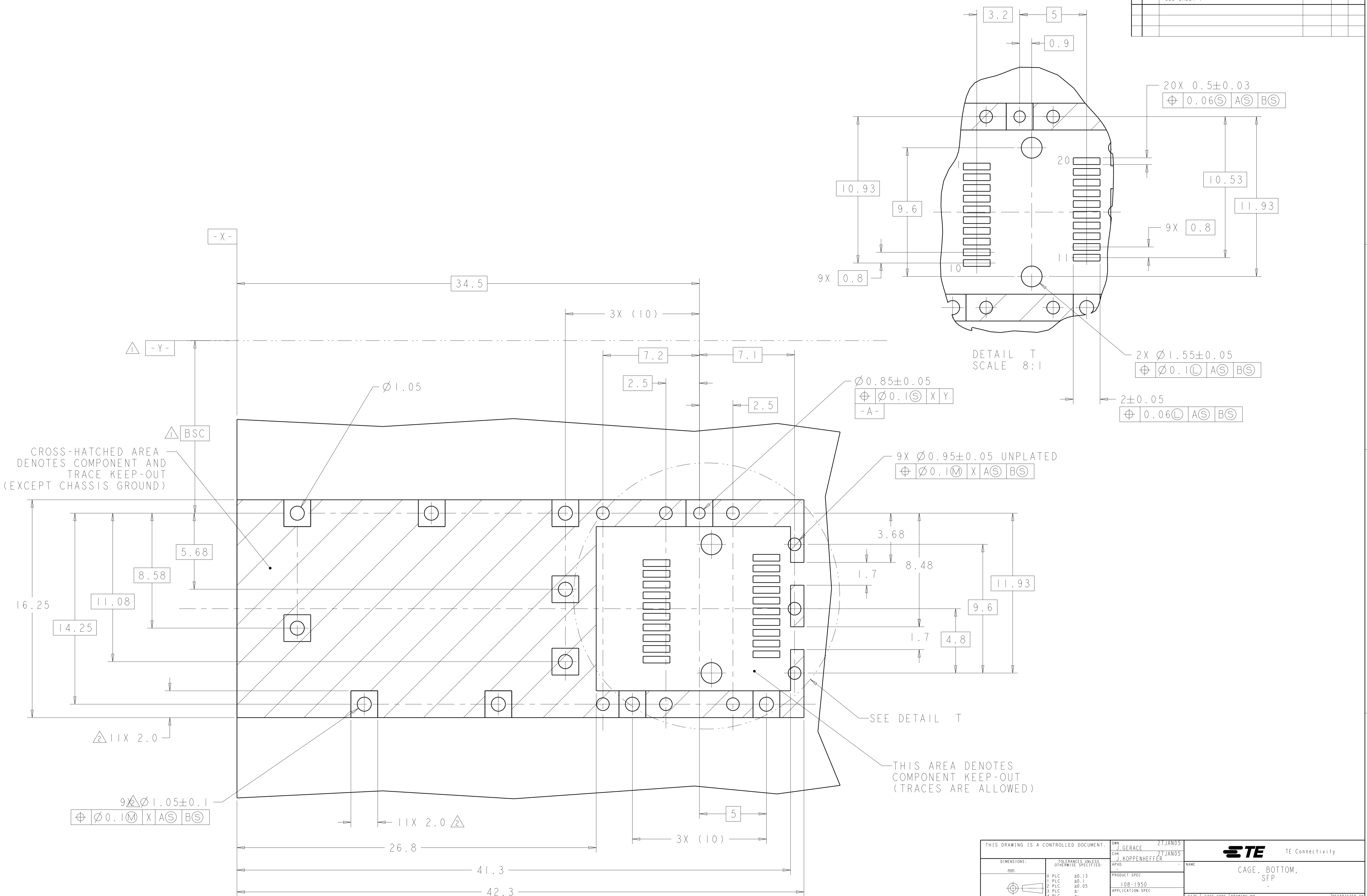
- △ DATUM AND BASIC DIMENSION, TO BE ESTABLISHED BY CUSTOMER.
 - △ PADS AND VIAS ARE CHASSIS GROUND.
 - △ COPPER ALLOY, 0.25 THICKNESS.
 - △ 1.25 MICRONS MIN TIN OVER 0.125 MICROMETERS MIN NICKEL. BARE EDGES PERMISSIBLE.
5. PACKAGED 240 PIECES PER 13 INCH REEL.



OBSELETE 6367034-1
PART NUMBER

THIS DRAWING IS A CONTROLLED DOCUMENT.		DWN J. GERACE 27JAN05	TE Connectivity	
DIMENSIONS:		CHK J. KOPPENHEFFER 27JAN05	NAME CAGE, BOTTOM, SFP	
TOLERANCES UNLESS OTHERWISE SPECIFIED:		APVD	PRODUCT SPEC 108-1950	
mm			APPLICATION SPEC 114-13017	
0 PLC ±0.13			SIZE CAGE CODE DRAWING NO A100779C=6367034	
1 PLC ±0.1			RESTRICTED TO	
2 PLC ±0.05			SCALE 8:1 SHEET 1 OF 2 REV C2	
3 PLC ±				
4 PLC ±				
ANGLES ±				
FINISH				
MATERIAL				
FINISH				

LOC	DIST	REVISIONS					
GP	00	P	LTH	DESCRIPTION	DATE	DWN	APVD
		-	-	SEE SHEET 1	-	-	-



RECOMMENDED P.C.B. CONFIGURATION

THIS DRAWING IS A CONTROLLED DOCUMENT.		DWN: J. GERACE 27JAN05	TE Connectivity
DIMENSIONS: mm		CHK: J. KOPPENHEFFER	
TOLERANCES UNLESS OTHERWISE SPECIFIED:		APVD: -	NAME: CAGE, BOTTOM, SFP
0 PLC	± 0.13	PRODUCT SPEC: 108-1950	SIZE: A1
1 PLC	± 0.1	APPLICATION SPEC: 114-13017	CAGE CODE: 6367034
2 PLC	± 0.05	WEIGHT: -	RESTRICTED TO: -
3 PLC	\pm	CUSTOMER DRAWING	SCALE: 8:1
4 PLC	\pm		SHEET: 2 OF 2
ANGLES	\pm		REV: C2