

REVISIONS				
REV	ECN	DESCRIPTION	DATE	APPROVED
V		ELASTOMERIC GASKET OPTION ADDED	SEP 15/09	ZLJ
Z		DETAIL J ADDED	JAN 14/10	ZLJ

# FS1-S01-1XXX

### MOUNTING SCREW OPTION

- 1** = 8 mm MOUNTING SCREW SHIPPED BULK IN SAME TRAYS WITH CAGE ASSEMBLIES
- 2** = NO MOUNTING SCREW SUPPLIED
- 3** = 10 mm MOUNTING SCREW WITH LOCK WASHER SHIPPED BULK IN SAME TRAYS WITH CAGE ASSEMBLIES

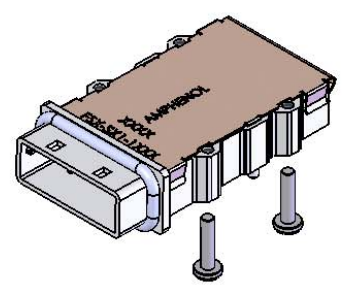
### GASKET OPTION

- E** = STAINLESS STEEL EMI GASKET
- F** = FOAM, CHOMERICS SOFT SHIELD 4800, EMI GASKET
- C** = CONDUCTIVE ELASTOMER, CHOMERICS S6305

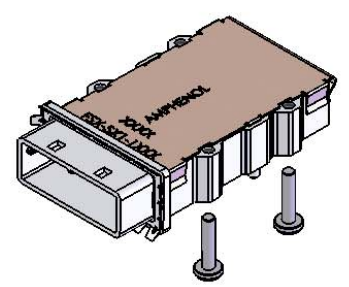
### KEYING OPTION (SEE BELOW TABLE FOR FURTHER CLARIFICATION)

- 0** = NO KEY
- 1** = KEY #1
- 2** = KEY #2
- 4** = KEY #4
- 5** = KEY #5
- 6** = KEY #6
- 7** = KEY #7
- 2,4** = KEY #2 AND #4
- 4,6** = KEY #4 AND #6

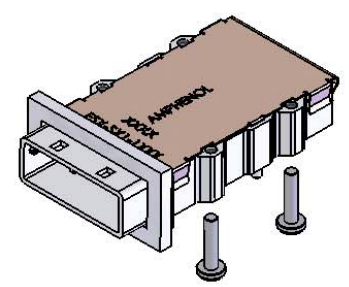
Option	Part Number	Keying
<b>0</b>	FS1-S01-10XX	No Key
<b>1</b>	FS1-S01-11XX	SATA 'X' Cable
<b>2</b>	FS1-S01-12XX	
<b>4</b>	FS1-S01-14XX	SAS Universal Port
<b>5</b>	FS1-S01-15XX	
<b>6</b>	FS1-S01-16XX	
<b>7</b>	FS1-S01-17XX	SATA 'M' Cable
<b>2,4</b>	FS1-S01-124X	SAS Out Port
<b>4,6</b>	FS1-S01-146XX	SAS In Port



PART NUMBER: **FS1-S01-14C1** SHOWN  
(CAGE ASSEMBLY WITH ELASTOMERIC GASKET AND 8mm MOUNTING SCREWS SHIPPED BULK)



PART NUMBER: **FS1-S01-14E1** SHOWN  
(CAGE ASSEMBLY WITH STAINLESS STEEL GASKET AND 8mm MOUNTING SCREWS SHIPPED BULK)



PART NUMBER: **FS1-S01-14F1** SHOWN  
(CAGE ASSEMBLY WITH FOAM GASKET AND 8mm MOUNTING SCREWS SHIPPED BULK)

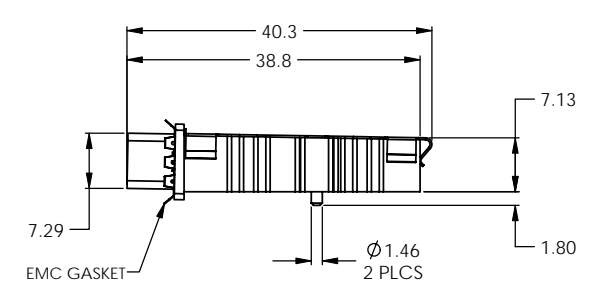
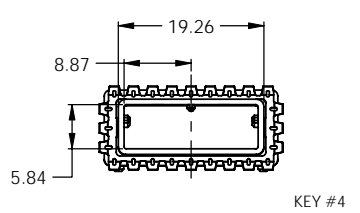
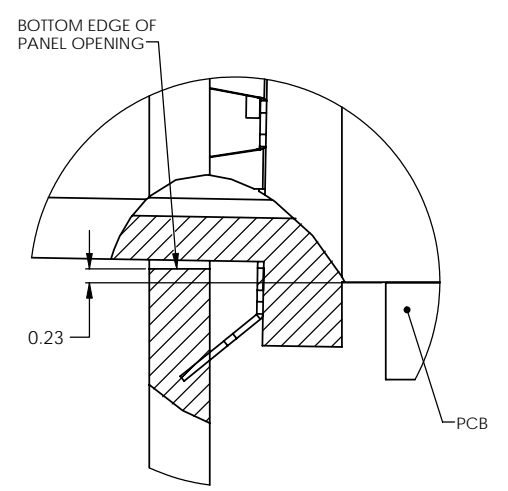
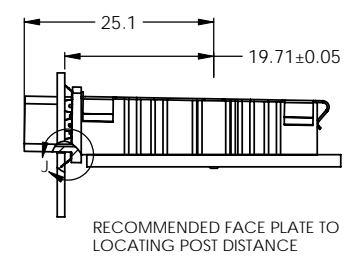
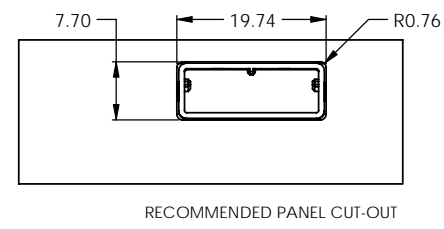
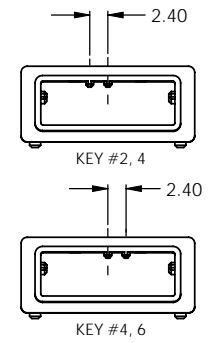
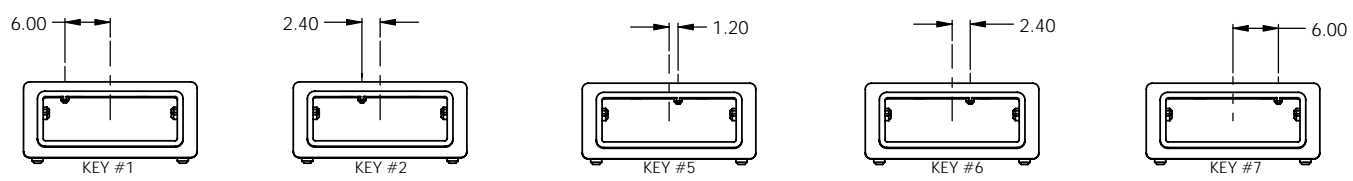
DO NOT SCALE DRAWING

THIS DOCUMENT CONTAINS PROPRIETARY INFORMATION AND SUCH INFORMATION MAY NOT BE DISCLOSED TO OTHERS FOR ANY PURPOSE OR USED FOR MANUFACTURING PURPOSES WITHOUT PERMISSION FROM AMPHENOL CANADA CORP.

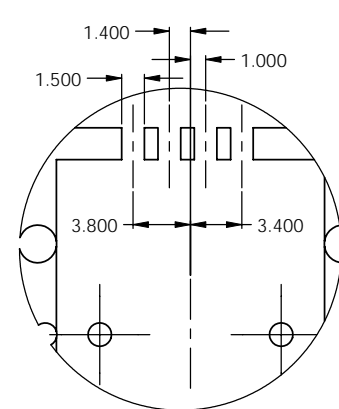
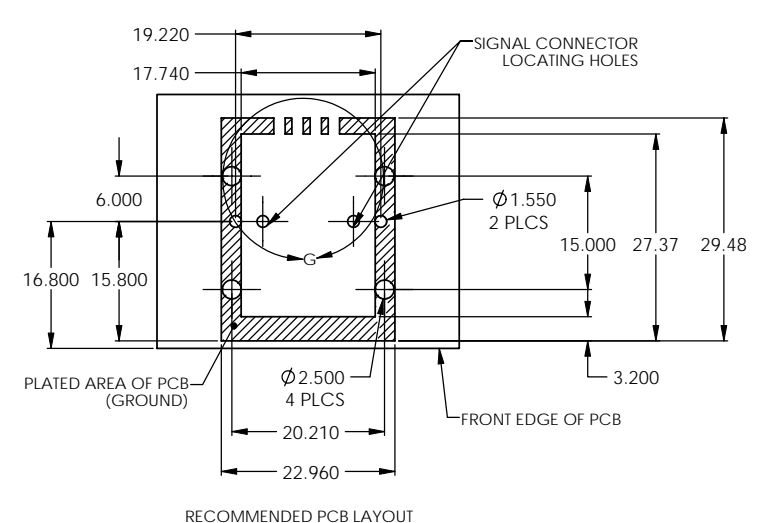


APPROVALS		DATE	Amphenol Canada Corp.		
DRAWN: ZLJ	CHECKED: ZLJ	NOV 10/08	PART: MINI SAS 1 DEGREE SINGLE PORT CAGE		
DESIGNED: ZLJ	CAL APP'D:	NOV 10/08			
ENG. REL. NO: EAR 123XX	SCALE: C	DRWG. NO: P-FS1-S01-1XXX	REV: Z		
CODE IDENT NO: 03554	DRWG APP'D:	SCALE: NTS	PROJECT: SFF	SHEET 1 OF 2	

REVISIONS				
REV	ECN	DESCRIPTION	DATE	APPROVED
V		SEE SHEET 1	SEP 15/09	ZLJ
Z		SEE SHEET 1	JAN 14/10	ZLJ



DETAIL J  
SCALE 16 : 1



DETAIL G  
SCALE 4 : 1

NOTES:  
 1) MATERIAL:  
 MAIN CAGE: ZINC DIECAST SHELL WITH 150 MICROINCHES OF NICKEL PLATING  
 EMC GASKET: SEE SHEET 1  
 COVER: STAINLESS STEEL  
 MOUNTING SCREW: AISI 1010 STEEL  
 2) ROHS COMPLIANT



APPROVALS		DATE	Amphenol Canada Corp.				
DRAWN	ZLJ	NOV 10/08	MINI SAS 1 DEGREE SINGLE PORT CAGE				
DESIGNED	ZLJ	NOV 10/08					
CHECKED			DRAWN NO: P-FS1-S01-1XXX REV: Z				
DATE APP'D							
ENG. REL. NO.	EAR 123XX	SCALE	NTS	PROJECT	SFF	SHEET	2 OF 2
CODE IDENT. NO.	03554	ENG. APP'D					

DO NOT SCALE DRAWING

THIS DOCUMENT CONTAINS PROPRIETARY INFORMATION AND SUCH INFORMATION MAY NOT BE DISCLOSED TO OTHERS FOR ANY PURPOSE OR USED FOR MANUFACTURING PURPOSES WITHOUT PERMISSION FROM AMPHENOL CANADA CORP.