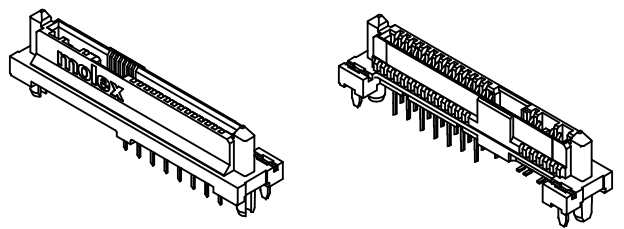
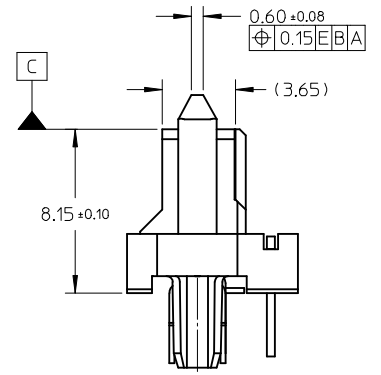
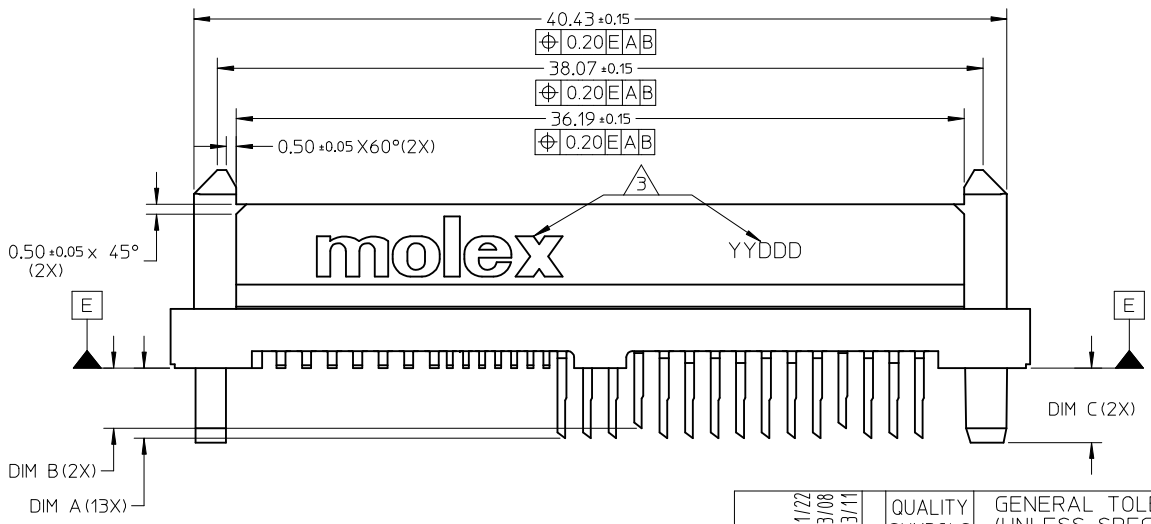
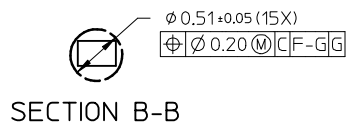
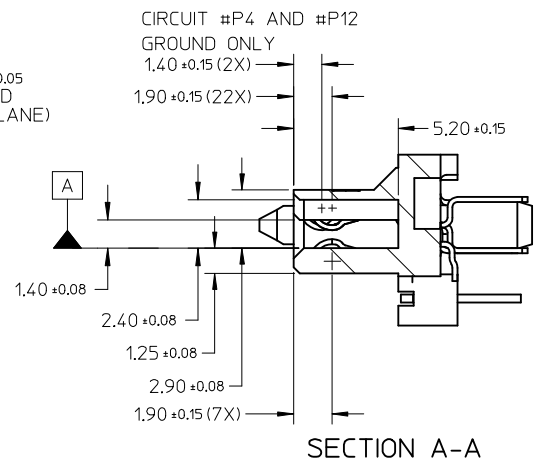
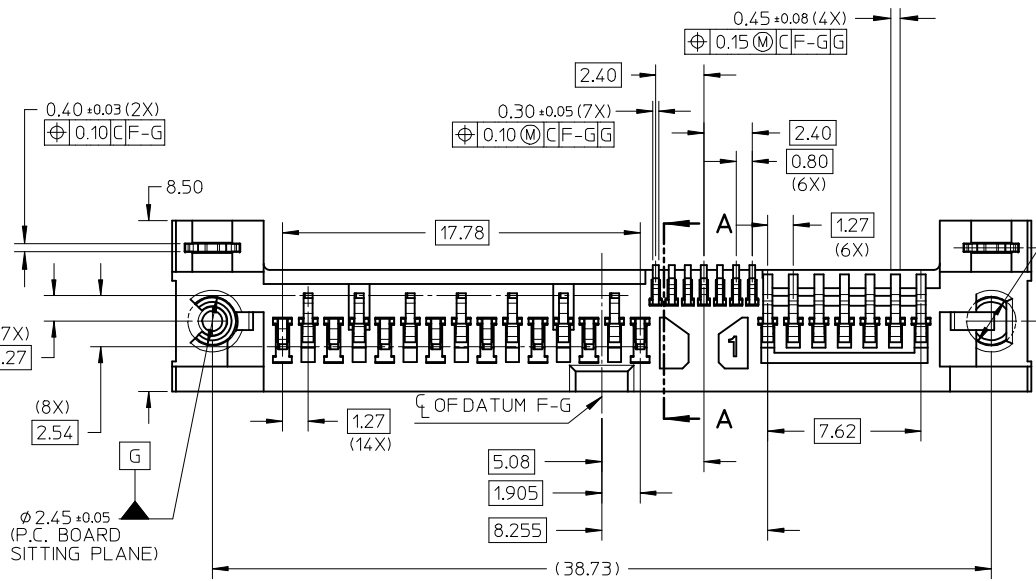
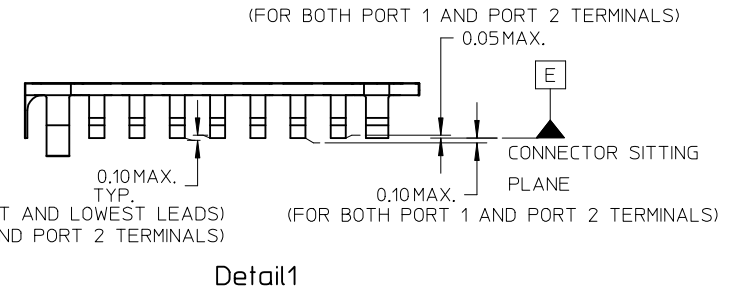
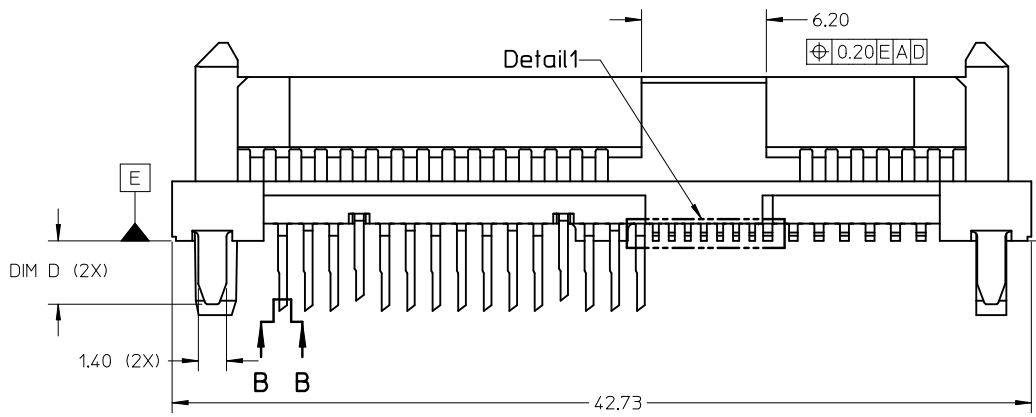


- NOTES:
- MATERIAL: LIQUID CRYSTALLINE POLYMER (LCP), GLASS FILLED, UL 94V-0, COLOR: BLACK
TERMINAL: COPPER ALLOY
 - PLATING:
CONTACT: 0.76µm MIN. SELECTIVE GOLD OVER 1.27µm MIN. NICKEL UNDERPLATE.
SOLDERTAIL: 2.54µm MIN. TIN OVER 1.27 µm MIN. NICKEL UNDERPLATE.
 - MOLEX LOGO AND DATE CODE LOCATED APPROXIMATELY AS SHOWN.
 - PACKAGING: SEE TABLE
 - PRODUCT IS COMPLIANT TO RoHS DIRECTIVE WITH THE FOLLOWING BANNED SUBSTANCES - LEAD, MERCURY, CADMIUM, HEXAVALENT CHROMIUM, POLYBROMINATED BIPHENYLS AND POLYBROMINATED DIPHENYL ETHERS.
 - PRODUCT SPECIFICATION PS-78716-001 APPLIES.
 - REFER TO AS-78716-001 FOR PCB ROUTING RECOMMENDATIONS.



SEE SHEET 3 IEC NO: S2016-0663 DRWN:SKANG CHKD:BOKOK APPR:SHONG 2016/01/22 2016/03/08 2016/03/11	QUALITY SYMBOLS $F_A=0$ $F_C=0$ $F_P=0$	GENERAL TOLERANCES (UNLESS SPECIFIED)		DIMENSION STYLE MM ONLY	SCALE NTS	DESIGN UNITS METRIC	THIRD ANGLE PROJECTION		
		4 PLACES ± --- ± ---	mm INCH	DRAWN BY CGOH	DATE 2011/09/29	TITLE SAS BACKPLANE HYBRID STD HEIGHT RECEPTACLE			
		3 PLACES ± --- ± ---		CHECKED BY GMENARLY	DATE 2012/02/06				
		2 PLACES ± 0.20 ± ---		APPROVED BY BOKOK	DATE 2012/02/06				
1 PLACE ± --- ± ---		MATERIAL NO. SEE TABLE		DOCUMENT NO. SD-78716-001	SHEET NO. 1 OF 4				
0 PLACE ± ±		ANGULAR ± 3 °		THIS DRAWING CONTAINS INFORMATION THAT IS PROPRIETARY TO MOLEX INCORPORATED AND SHOULD NOT BE USED WITHOUT WRITTEN PERMISSION					
DRAFT WHERE APPLICABLE MUST REMAIN WITHIN DIMENSIONS									

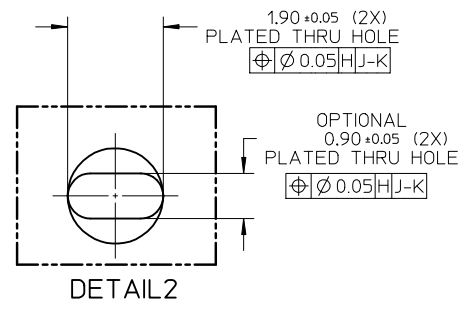
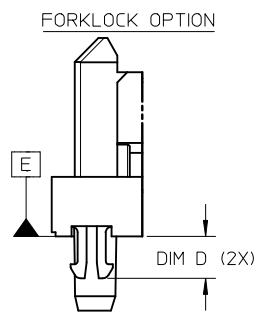
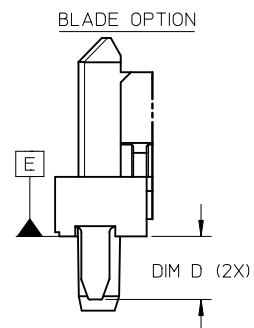
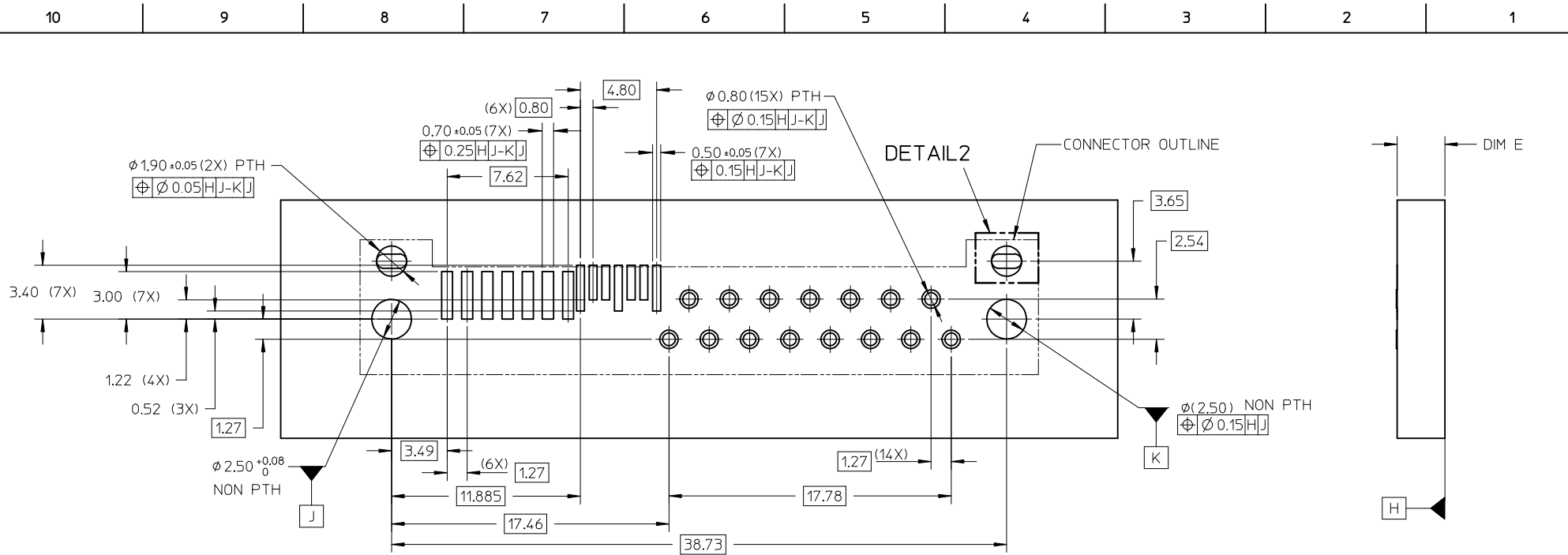


SEE SHEET 3	DESCRIPTION	QUALITY SYMBOLS
EC NO: S2016-0663	2016/01/22	$\nabla_A = 0$
DRWN:SKANG	2016/03/08	$\nabla_G = 0$
CHKD:BOKOK	2016/03/11	$\nabla_B = 0$
APPR:SHONG		
REV		

GENERAL TOLERANCES (UNLESS SPECIFIED)	
mm	INCH
4 PLACES	± --- ± ---
3 PLACES	± --- ± ---
2 PLACES	± 0.20 ± ---
1 PLACE	± --- ± ---
0 PLACE	± ±
ANGULAR ± 3 °	
DRAFT WHERE APPLICABLE MUST REMAIN WITHIN DIMENSIONS	

DIMENSION STYLE	
MM ONLY	
DRAWN BY	DATE
CGOH	2011/09/29
CHECKED BY	DATE
GMENARLY	2012/02/06
APPROVED BY	DATE
BOKOK	2012/02/06
MATERIAL NO.	DOCUMENT NO.
SEE TABLE	
SIZE	
A3	

SCALE	DESIGN UNITS	THIRD ANGLE PROJECTION
NTS	METRIC	
TITLE		
SAS BACKPLANE HYBRID STD HEIGHT RECEPTACLE		
molex		
DOCUMENT NO.		SHEET NO.
SD-78716-001		2 OF 4
THIS DRAWING CONTAINS INFORMATION THAT IS PROPRIETARY TO MOLEX INCORPORATED AND SHOULD NOT BE USED WITHOUT WRITTEN PERMISSION		



ADD PCB SLOT OPTION IEC NO: S2016-0663 DRWN:SKANG CHKD:BOXOK APPR:SHONG	2016/01/22	DESCRIPTION	QUALITY SYMBOLS
	2016/03/08		$\nabla_F = 0$
	2016/03/11		$\nabla_F = 0$
			$\nabla_F = 0$

GENERAL TOLERANCES (UNLESS SPECIFIED)	mm	INCH
	4 PLACES ± ---	± ---
	3 PLACES ± ---	± ---
	2 PLACES ± 0.20	± ---
	1 PLACE ± ---	± ---
	0 PLACE ±	±
ANGULAR ± 3 °		
DRAFT WHERE APPLICABLE MUST REMAIN WITHIN DIMENSIONS		

DIMENSION STYLE MM ONLY	
DRAWN BY CGOH	DATE 2011/09/29
CHECKED BY GMENARLY	DATE 2012/02/06
APPROVED BY BOKOK	DATE 2012/02/06
MATERIAL NO.	
SEE TABLE	

SCALE NTS	DESIGN UNITS METRIC	THIRD ANGLE PROJECTION
TITLE SAS BACKPLANE HYBRID STD HEIGHT RECEPTACLE		
molex		
DOCUMENT NO. SD-78716-001	SHEET NO. 3 OF 4	

10	9	8	7	6	5	4	3	2	1	
PART NO	HOLD DOWN	DIM A±0.15 (13X) (PORT 1 EXCLUDING P4 & P12)	DIM B±0.15 (2X) (PORT 1 - P4 & P12)	PEG HEIGHT (2X) DIM C±0.10	BLADE/FORKLOCK HEIGHT(2X), DIM D	REC. PCB THICKNESS DIM E ±0.10	PACKAGING	QUANTITY	PICK & PLACE CAP	PACKAGING SPECIFICATION
78716-0001	BLADE	3.49	2.99	3.70	3.15	3.00	TRAY	50/TRAY	NO	PK-78716-001
78716-0011	BLADE	2.36	2.36	2.00	2.36	2.34				
78716-0002	BLADE	3.49	2.99	3.70	3.15	3.00	TRAY	50/TRAY	YES	
78716-0012	BLADE	2.36	2.36	2.00	2.36	2.34				
78716-0004	BLADE	3.49	2.99	3.70	3.15	3.00	TAPE AND REEL	250/REEL	YES	PK-78716-002
78716-0014	BLADE	2.36	2.36	2.00	2.36	2.34				
78716-0015	FORKLOCK	2.11	2.11	2.00	2.06	2.34	TRAY	50/TRAY	YES	PK-78716-001
78716-0016	FORKLOCK	2.11	2.11	2.00	2.06	2.34	TRAY	50/TRAY	YES	PK-78716-001
78716-0018	FORKLOCK	2.99	2.99	3.70	2.06	2.46	TAPE AND REEL	250/REEL	YES	PK-78716-002

SEE SHEET 3 EC NO: S2016-0663 2016/01/22 DRWN:SKANG CHKD:BOKOK 2016/03/08 APPR:SHONG 2016/03/11	DESCRIPTION REV	QUALITY SYMBOLS	GENERAL TOLERANCES (UNLESS SPECIFIED)	DIMENSION STYLE MM ONLY	SCALE NTS	DESIGN UNITS METRIC	THIRD ANGLE PROJECTION																														
		$F_A=0$ $F_G=0$ $F_P=0$	<table border="1"> <tr> <th></th> <th>mm</th> <th>INCH</th> </tr> <tr> <td>4 PLACES</td> <td>± ---</td> <td>± ---</td> </tr> <tr> <td>3 PLACES</td> <td>± ---</td> <td>± ---</td> </tr> <tr> <td>2 PLACES</td> <td>± 0.20</td> <td>± ---</td> </tr> <tr> <td>1 PLACE</td> <td>± ---</td> <td>± ---</td> </tr> <tr> <td>0 PLACE</td> <td>±</td> <td>±</td> </tr> </table>		mm	INCH	4 PLACES	± ---	± ---	3 PLACES	± ---	± ---	2 PLACES	± 0.20	± ---	1 PLACE	± ---	± ---	0 PLACE	±	±	<table border="1"> <tr> <th>DRAWN BY</th> <th>DATE</th> </tr> <tr> <td>CGOH</td> <td>2011/09/29</td> </tr> <tr> <th>CHECKED BY</th> <th>DATE</th> </tr> <tr> <td>GMENARLY</td> <td>2012/02/06</td> </tr> <tr> <th>APPROVED BY</th> <th>DATE</th> </tr> <tr> <td>BOKOK</td> <td>2012/02/06</td> </tr> </table>	DRAWN BY	DATE	CGOH	2011/09/29	CHECKED BY	DATE	GMENARLY	2012/02/06	APPROVED BY	DATE	BOKOK	2012/02/06	TITLE	SAS BACKPLANE HYBRID STD HEIGHT RECEPTACLE	
			mm	INCH																																	
		4 PLACES	± ---	± ---																																	
3 PLACES	± ---	± ---																																			
2 PLACES	± 0.20	± ---																																			
1 PLACE	± ---	± ---																																			
0 PLACE	±	±																																			
DRAWN BY	DATE																																				
CGOH	2011/09/29																																				
CHECKED BY	DATE																																				
GMENARLY	2012/02/06																																				
APPROVED BY	DATE																																				
BOKOK	2012/02/06																																				
DRAFT WHERE APPLICABLE MUST REMAIN WITHIN DIMENSIONS		ANGULAR ± 3 °	MATERIAL NO.	DOCUMENT NO.	SHEET NO.																																
SEE TABLE SIZE A3		THIS DRAWING CONTAINS INFORMATION THAT IS PROPRIETARY TO MOLEX INCORPORATED AND SHOULD NOT BE USED WITHOUT WRITTEN PERMISSION		SD-78716-001	4 OF 4																																