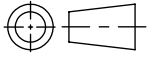
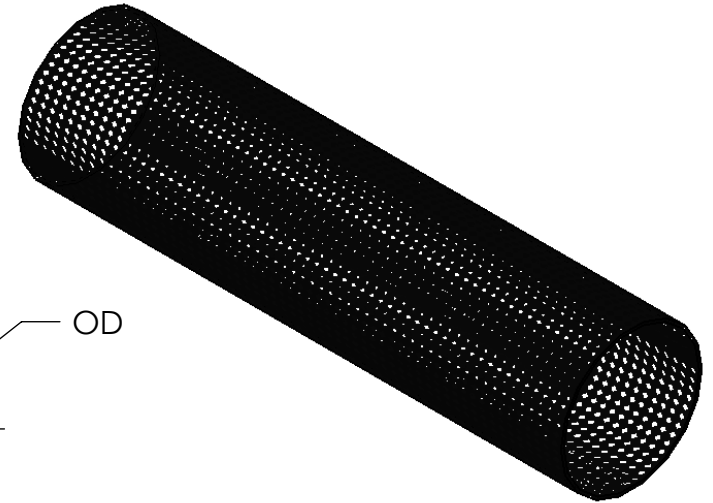
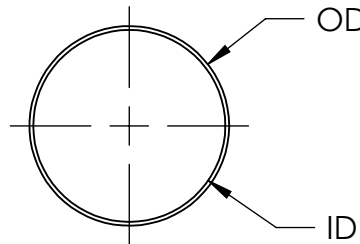
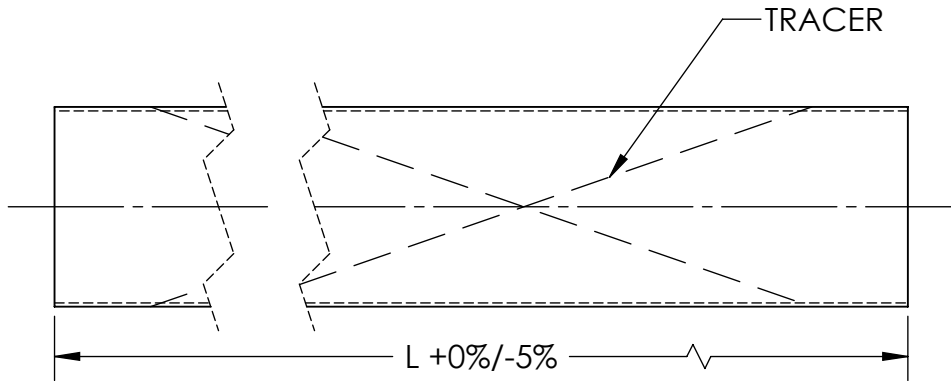


SW2010



Revision level		Revision Record	Changed	Date	Approved	Date
Drawing	Part					
01	-	SEE ECN# 011861	AAC	04/12/2011	KAC	02/07/2012



PRODUCT CODE DESCRIPTION

BSPFR12_
 COLOR
 (CONSULT FACTORY FOR AVAILABLE COLORS)

NOMINAL SIZE	TYPE	OD	ID	EXPANSION RANGE (FOR REF ONLY)		L (FT)	BULK L (FT)
				MINIMUM	MAXIMUM		
1/8	BSPFR18_	.175	.125	.094	.25	-	1000
1/4	BSPFR14_	.30	.25	.125	.438	200	1000
1/2	BSPFR12_	.55	.50	.25	.75	100	500
3/4	BSPFR34_	.80	.75	.50	1.25	75	250
1	BSPFR10_	1.05	1.00	.63	1.63	-	250
1-1/4	BSPFR114_	1.30	1.25	.75	1.75	50	250
1-1/2	BSPFR112_	1.55	1.50	1.00	2.125	40	200

Material
 PET FLAME RETARDANT

Units inches
 Dimension without tolerances details to:
 .xxxx = ±.0005
 .xxx = ±.005
 .xx = ±.01
 .x = ±.03
 None = ±.06
 ∠ = ±0.5°

The copyright of this drawing is reserved by HellermannTyton. It is issued on condition that it is not reproduced, copied, or disclosed to a third party, either wholly or in part, without the consent of HellermannTyton.

Drawn AAC 04/12/2011
 Approved AAC 05/16/2011
HellermannTyton
 North America
 Email: corp@htamericas.com
 Web: www.hellermann.tyton.com

Article/Type-No SEE CHART
 Title PET FLAME RETARDANT EXPANDABLE BRAIDED SLEEVING
 Drawing-No 11-0337-004-CSU
 Production : Phase
 Scale 1:1
 Project Number PRP11-0337
 Format AH
 Sheet 1/1