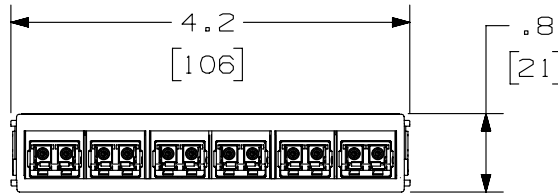
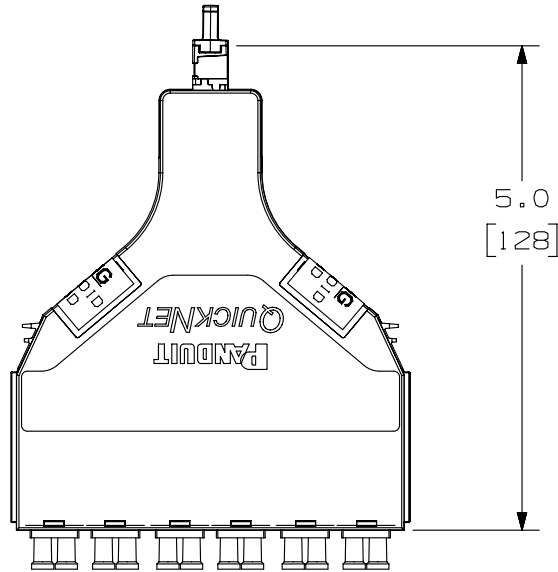
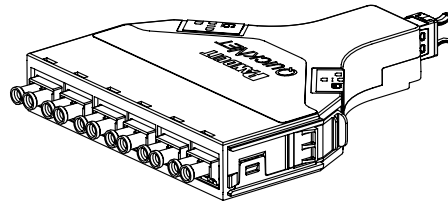


THIS COPY IS PROVIDED ON A RESTRICTED BASIS AND IS NOT TO BE USED IN ANY WAY DETRIMENTAL TO THE INTERESTS OF PANDUIT CORP.



DUPLEX LC → 1 2 3 4 5 6

VIEW SHOWN WITHOUT DUSTCAPS



PANDUIT PART NUMBER	FIBER TYPE	PERFORMANCE LEVEL	ADAPTER COLOR (SPLIT SLEEVE)
FQ6N-12-10AS	OM1	STANDARD LOSS	ELECTRIC IVORY (PHOS BRONZE)
FQ5N-12-10AS	OM2	STANDARD LOSS	BLACK (PHOS BRONZE)
FQXN-12-10AS	OM3	STANDARD LOSS	AQUA (ZIRCONIA)
FQX0-12-10AS	OM3	OPTIMIZED LOSS	AQUA (ZIRCONIA)
FQZN-12-10AS	OM4	STANDARD LOSS	AQUA (ZIRCONIA)
FQZ0-12-10AS	OM4	OPTIMIZED LOSS	AQUA (ZIRCONIA)
FQSA-12-10AS	OM4+ (SIG CORE)	ULTRA LOW LOSS	AQUA (ZIRCONIA)
FQ9N-12-10AS	OS1/OS2	STANDARD LOSS	BLUE (ZIRCONIA)

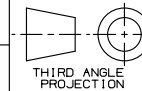
NOTES:

- SEE CURRENT CATALOG FOR PART NUMBER SUFFIXES TO INDICATE COLOR AND/OR PACKAGE QUANTITIES.
- SEE CATALOG FOR A COMPLETE LIST OF PARTS APPLICABLE FOR USE WITH THIS PRODUCT.
- MATERIALS:
A. MODULE MATERIAL: PLASTIC
B. ADAPTER: COMPOSITE PLASTIC
- CASSETTE MODULE WEIGHT: 2.4oz [69.0g]
- DIMENSIONS IN BRACKETS ARE METRIC
- METHOD A CASSETTES COMPLY WITH ANSI/TIA-568-C.O. SEE ANSI/TIA-568-C.O. FOR POLARITY DETAILS AND EXAMPLE OF A BASIC LINK.
- ALL MATERIALS AND COMPONENTS USED MEET THE MATERIAL RESTRICTIONS OF RoHS, (EUROPEAN DIRECTIVE 2011/65/EC ON THE RESTRICTIONS OF HAZARDOUS SUBSTANCES) AS PROPOSED BY THE RoHS TECHNICAL ADAPTATION COMMITTEE.

QUICKNET SFQ SERIES CASSETTE, 12 FIBER
DUPLEX LC TO MPO CASSETTE METHOD A
CUSTOMER DRAWING



PANDUIT™
CORP.
TINLEY PARK, ILL 60477



ALL DIMENSIONS ARE GIVEN IN INCHES, UNLESS OTHERWISE SPECIFIED,
DIMENSIONAL TOLERANCES ARE:
(.X) (.XXX) ± .010 [0.3]
(.XX) ± .03 [0.8] ANGLES

DRAWING FILENAME
MO2947ZE_DC/02B

SCALE
NONE

DRAWN BY
EFK

REVIEW DRAWING NUMBERS

PART NO.
FQ**-12-10AS

DATE
07-17-09

DRAWING NO. SIZE

3	01-10-13	SAT	JESA	RELEASED TO PRODUCTION	02947-39	JESA	CHDE		
---	----------	-----	------	------------------------	----------	------	------	--	--

REV	DATE	BY	CHK	DESCRIPTION	ECN	R	CUST	SUP	OTH

CHK'D
MTV

02947-39 A