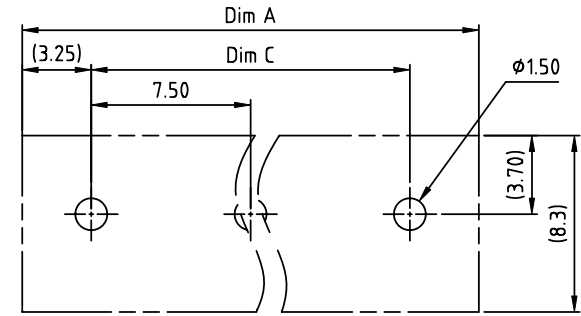
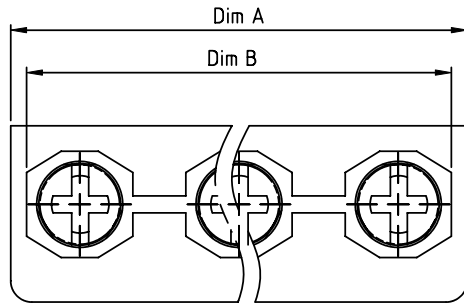
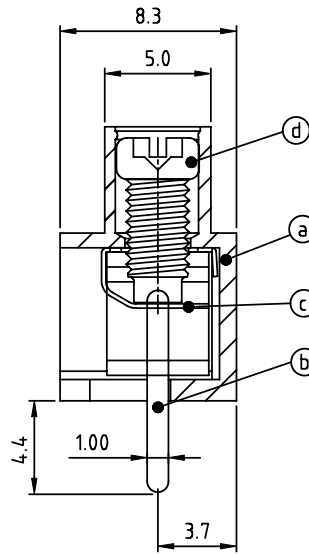
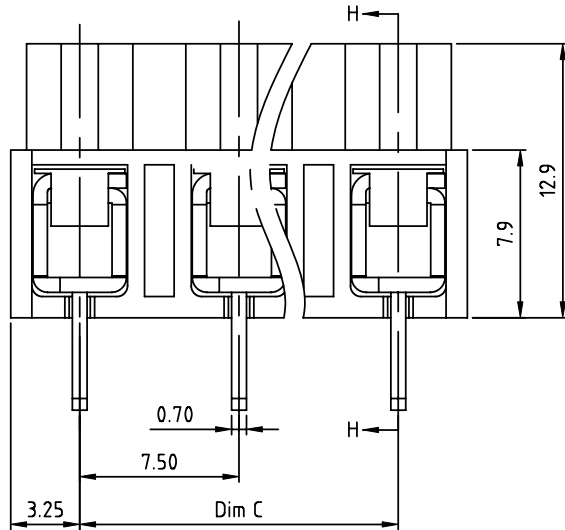


PRODUCT NUMBER	PITCH
T4xx24x000J0G	7.50 mm



RECOMMENDED P.C.B LAYOUT
TOP VIEW



SECTION H-H

Material:

- Item (a) Insulator (housing): Thermoplastic (UL 94V-0)
- Item (b) Terminal: Brass Stamping, Tin plated
- Item (c) Wire guard: Stainless steel
- Item (d) Terminal screw: Steel Zinc plating "+/-" combination type

Electrical cULus

- Voltage rating: 300VAC
- Current rating: 10A
- Wire range:
- Solid wire (AWG): 12-20
- Stranded wire (AWG): 12-20
- Torque: 3.5Lb-In
- Screw: M3
- Wire strip length: 6-7mm
- Withstanding Voltage: 1.6KV
- Operating temperature: -40°C to +115°C
- Soldering temperature: 260°C ± 5°C / 5 Sec
- Safety Approval:

DIMENSION

Dim A	N x 7.5 - 1.0
Dim B	(N-1) x 7.5 + 5.0
Dim C	(N-1) x 7.5

N = Number of Poles

Poles	Tolerance
2p-8p	±0.25
9p-16p	±0.40

PART NO.: T4 xx 24 x 0 00J0 G

Solid block	Body Color	RoHS compliant
No. of poles 0	Black (RAL9005)	(lead < 4%)
02 2 poles	2 Red (RAL3001/D)	In copper Alloy
03 3 poles	3 Orange (RAL2011/P)	
...	4 Yellow (RAL1018/A)	
16 16 poles	5 Green (RAL6018/T)	
	6 Blue (RAL5015/A)	
	8 Grey (RAL7035/D)	
	9 White (RAL1102)	
	C Green (RAL6018/U)	

mat'l. code	surface ASME Y14.5	tolerance ASME Y14.5	projection 	product family TERMINAL BLOCK
ltr	ecn	no	dr	date
tolerances unless otherwise specified				title TERMINAL BLOCK
angles	0	X ± 0.5	MM	scale WIRE PROTECTOR, 180D WIRE INLET, SOLID BLOCK
0	0	X.X ± 0.3		dwg no T4xx24x000J0G
X ± 1°	0	X.XX ± 0.1		sheet 1 of 1 size A4
dr	EVIN ZHONG	040114		type CUSTOMER Drawing
enr	EVIN ZHONG	040114		
chr	HANKE FENG	040114		
appd	SHI JUN	040114		
sheet index	revision	A		
	sheet	1		