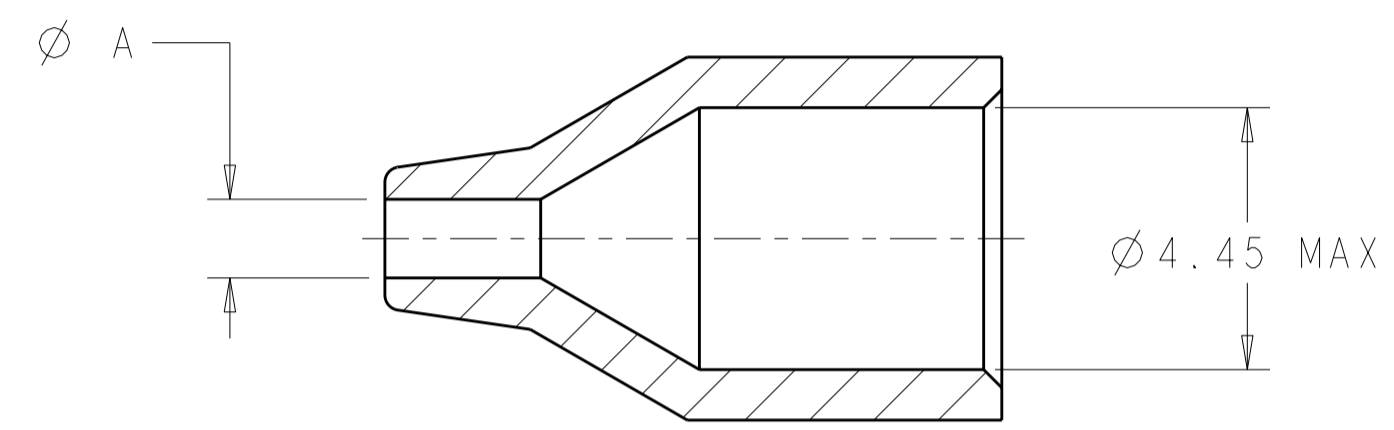
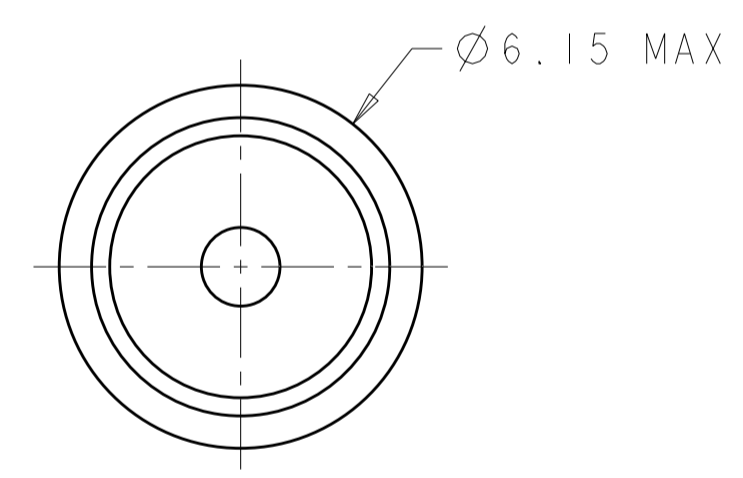
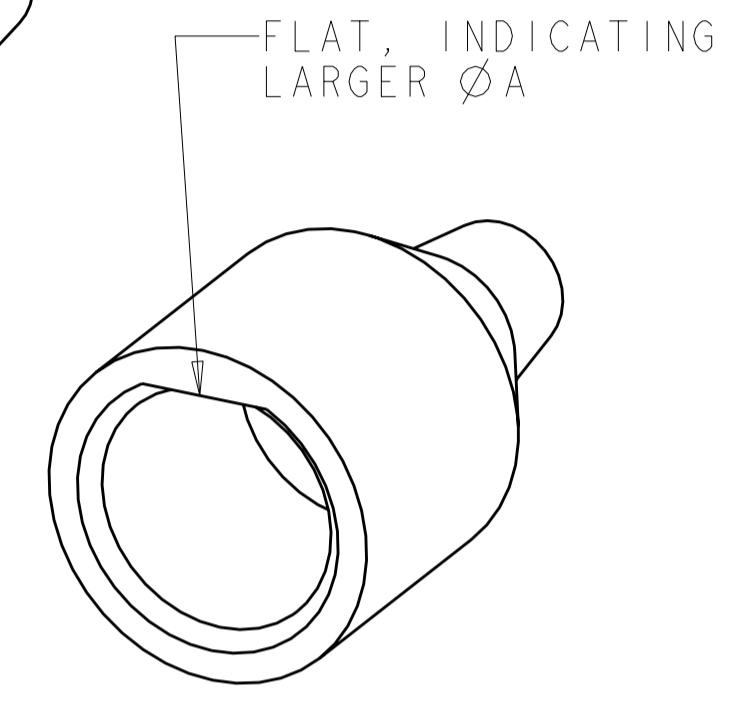
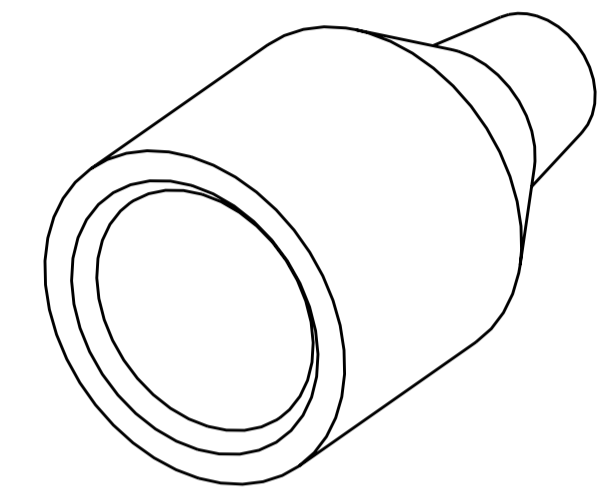
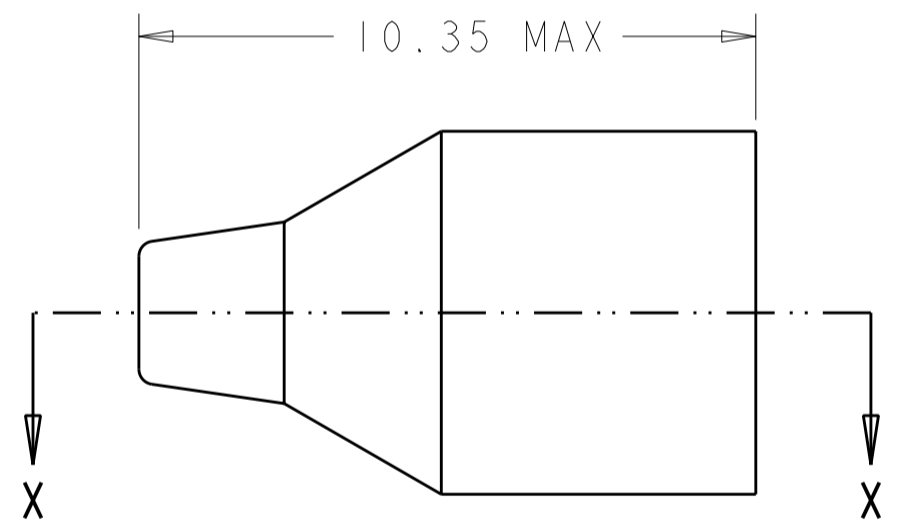


THIS DRAWING IS UNPUBLISHED. RELEASED FOR PUBLICATION 20
 © COPYRIGHT 20 BY TYCO ELECTRONICS CORPORATION. ALL RIGHTS RESERVED.

LOC	DIST	REVISIONS			
P	LTR	DESCRIPTION	DATE	DWN	APVD
CE	00				
	B	REV PER 0A00-0196-05	11MAY2005	EJH	SB
	C	REVISE PER ECR-06-029880	09JAN2007	BB	SM
	CI	REVISE DIMENSION LOCATION	17OCT2008	BB	SM



SECTION X-X



1.05	AQUA	6278309-6
1.45	BLACK	6278309-5
1.05	RED	6278309-3
1.05	BLUE	6278309-2
1.05	BLACK	6278309-1
DIM A	COLOR	PART NO

⚠ MATERIAL: TPE, UL 94 V-0 RATED AT QUALIFYING THICKNESS, SEE DASH NUMBER FOR COLOR.

THIS DRAWING IS A CONTROLLED DOCUMENT FOR TYCO ELECTRONICS CORPORATION. IT IS SUBJECT TO CHANGE AND THE CONTROLLING ENGINEERING ORGANIZATION SHOULD BE CONTACTED FOR THE LATEST REVISION.		DWN E. HOPKINS 27 JAN 2005	Tyco Electronics Harrisburg, PA 17105-3608	
DIMENSIONS: mm		CHK D. ERDMAN 27 JAN 2005	NAME -	
TOLERANCES UNLESS OTHERWISE SPECIFIED: 0 PLC ± 1 PLC ± 2 PLC ±0.05 3 PLC ± 4 PLC ± ANGLES ± FINISH -		APVD S. BUCHTER 27 JAN 2005	PRODUCT SPEC -	
MATERIAL ⚠		APPLICATION SPEC -	SIZE A2	CAGE CODE 00779
CUSTOMER DRAWING		WEIGHT -	DRAWING NO 6278309	RESTRICTED TO -
		SCALE 8:1	SHEET 1	REV CI