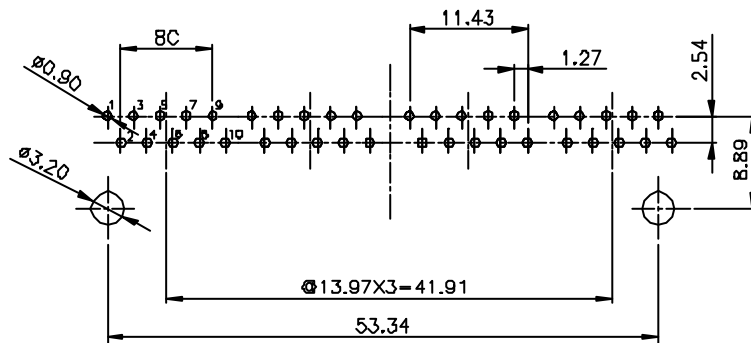
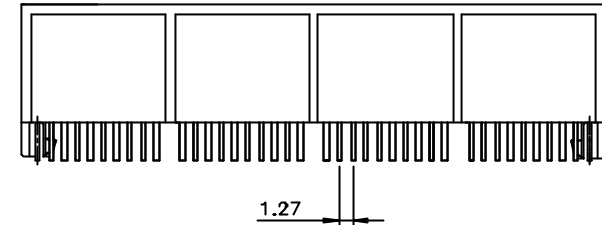
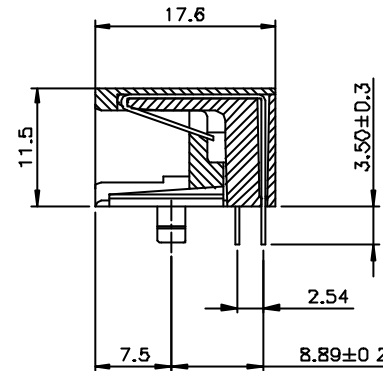
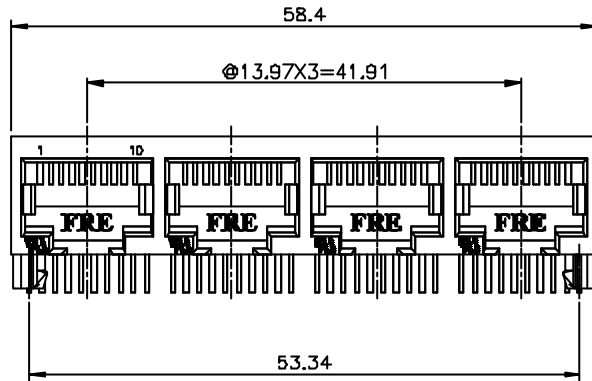


A1RFRD10

REVISION RECORD				
REV	ECO	DESCRIPTION	DRFT	CHKD



PCB Layout t=1.6MM
Component Side Shown

NOTES:

ELECTRICAL:

- VOLTAGE RATING: 125 VAC RMS.
- CURRENT RATING: 1.5 AMP.
- CONTACT RESISTANCE: 30 MILLIOHMS MAX.
- INSULATION RESISTANCE: 1000 MEGOHMS MIN @ 500 VDC.
- DIELECTRIC STRENGTH: 1000 VAC RMS 60Hz, 1MIN.

MECHANICAL:

- HOUSING MATERIAL: GLASS FILLED POLYESTER UL 94V-0.
- CONTACT MATERIAL: PHOSPHOR BRONZE 0.46MM
- PLATING: GOLD PLATING OVER NICKEL.
- OPERATING LIFE: 750 CYCLES MIN.
- PCB RETENTION PRE-SOLDER: 1 LB MIN
- PCB RETENTION POST-SOLDER: 10 LBS MIN.

ENVIRONMENTAL:

- STORAGE: -40°C TO +85°C.
- OPERATION: -40°C TO +85°C.

MATES WITH MODULAR PLUG CONFORMING TO FCC PART 68, SUBPART F.

CUL FILE NO. E163191

PART NUMBER: E560X-00C06X

NO. OF CONTACT
8-8 CONTACTS
1- 10 CONTACTS

1- 3u" 2- 6u" 3-15u"
4-30u" 5-50u" 6-Pd20u"

DETACHED LETTER	MM (INCH)	DFTD RIK	DATE 12/23/03'	FULL RISE ELECTRONIC CO., LTD
	TOLERANCES EXCEPT AS NOTED	CHK: MING-WEI	DATE 12/23/03'	
	MM	WFD: LWN	DATE 12/23/03'	
	.0 ± 0.2 ± ±	APPLY: YUAN	DATE 12/23/03'	
				TITLE 11.5 SIDE ENTRY PCB GANG JACK 10P
				DRAWING NO. CE563A88
				/PART NO. SEE NOTE
				SIZE A3
				REV 0
				DO NOT SCALE DRAWING
				SHEET 1 OF 1