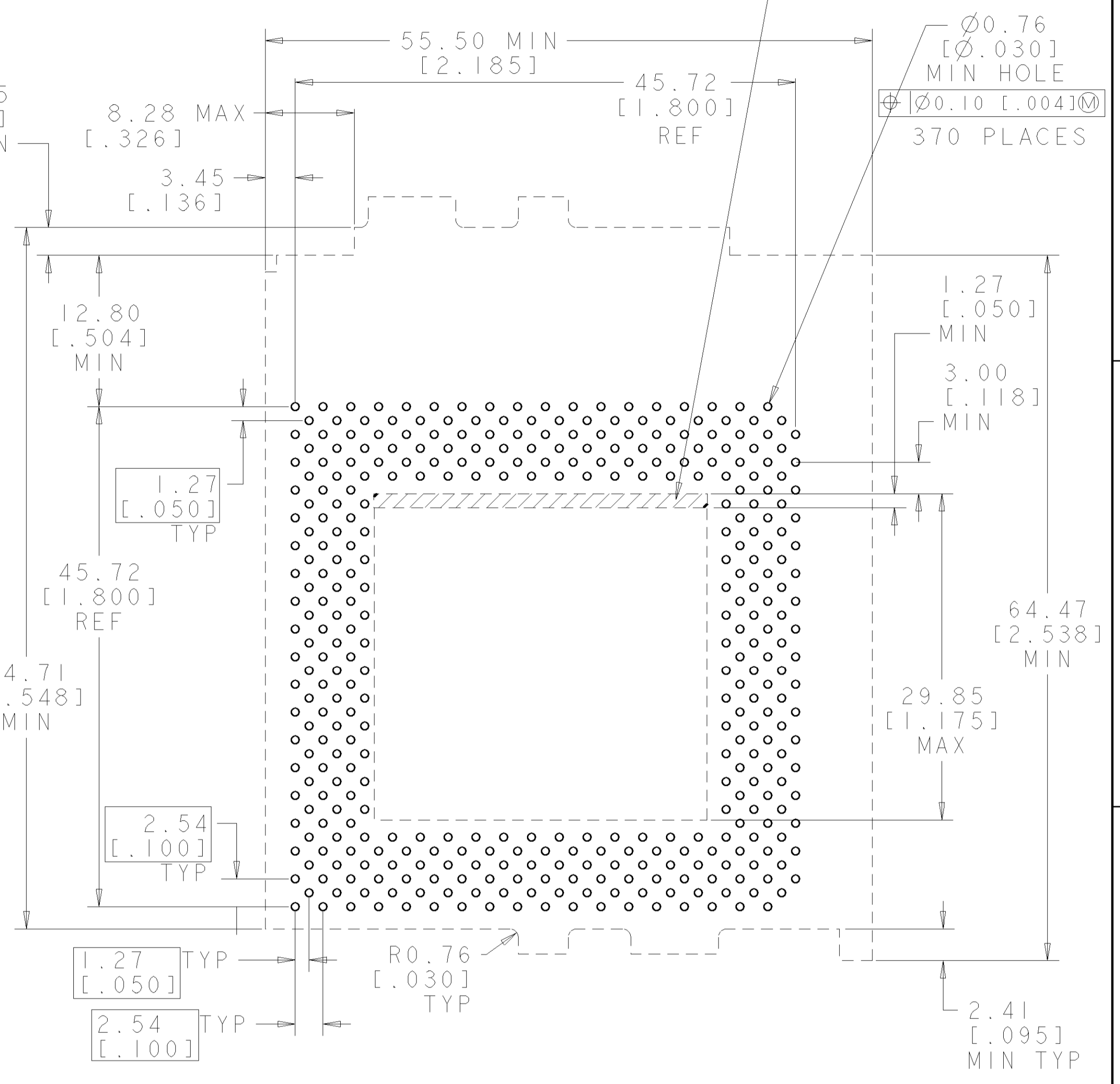
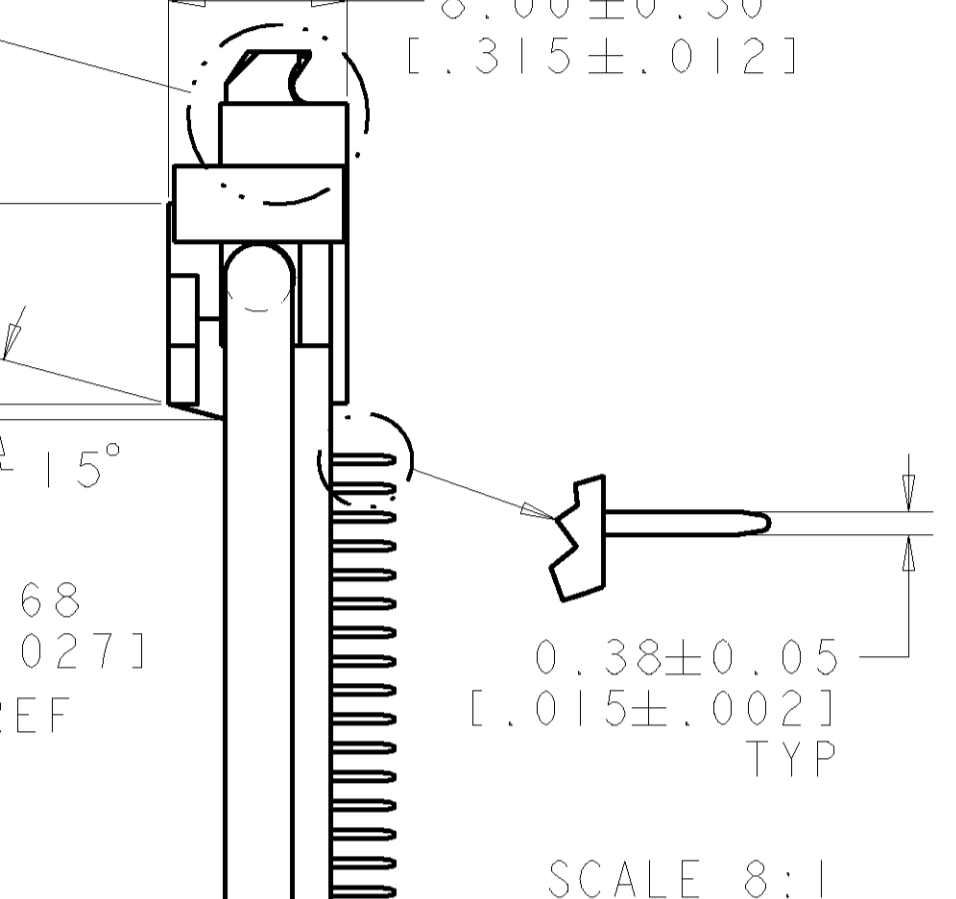
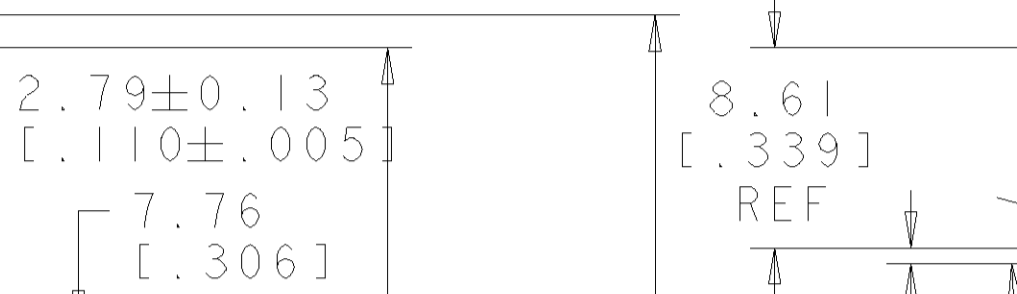
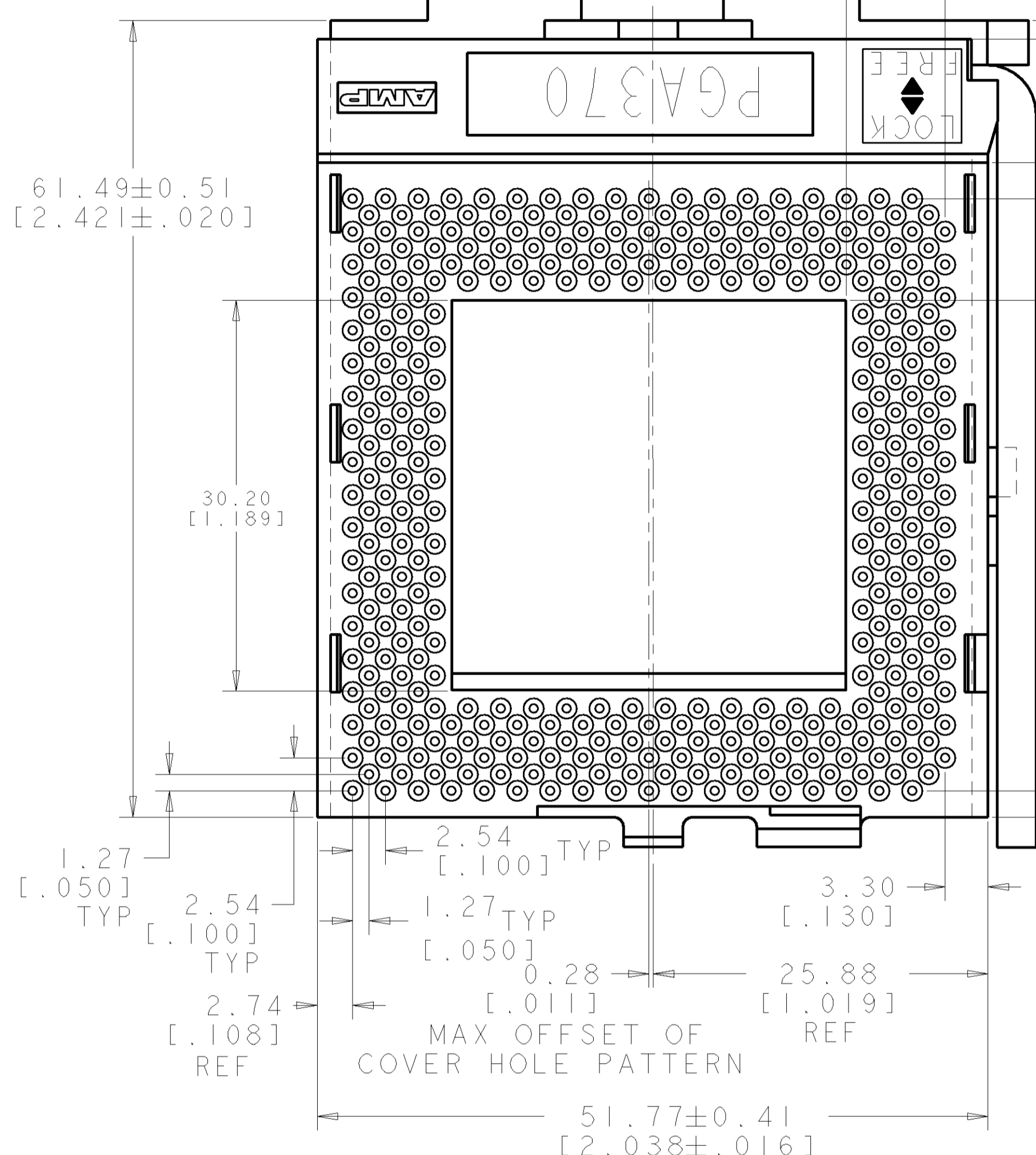
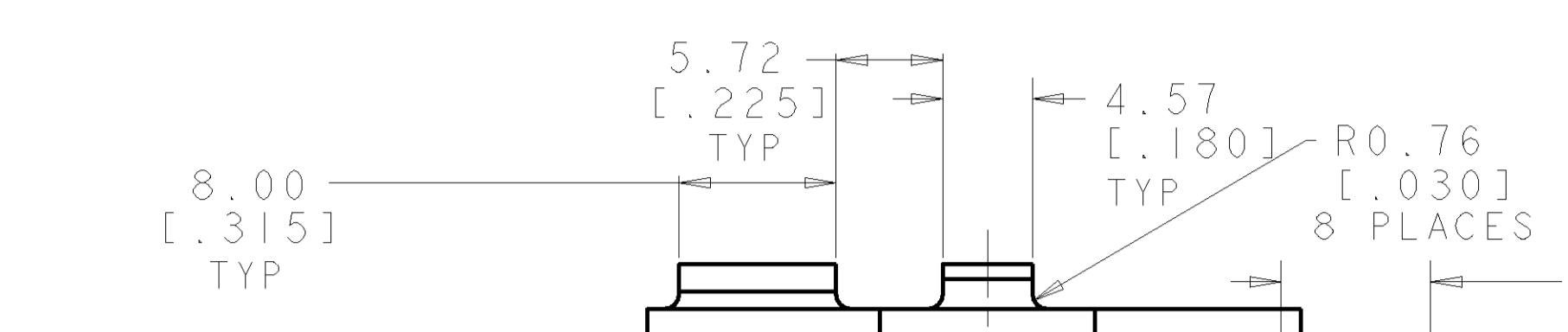
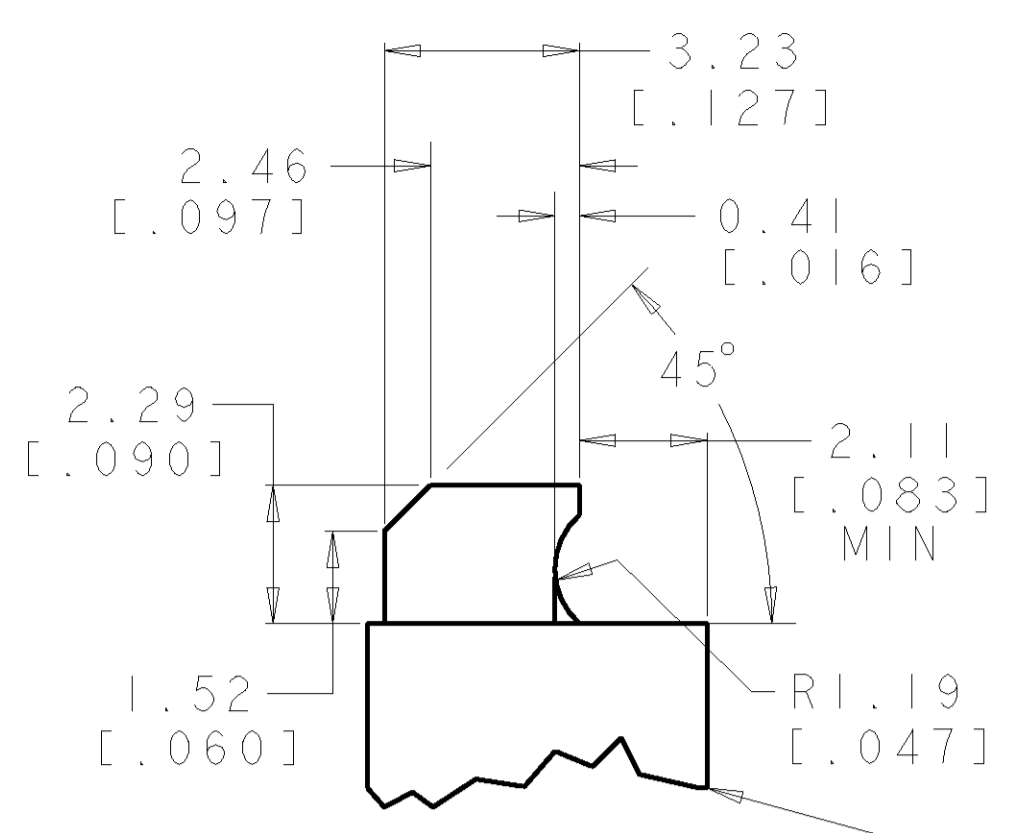
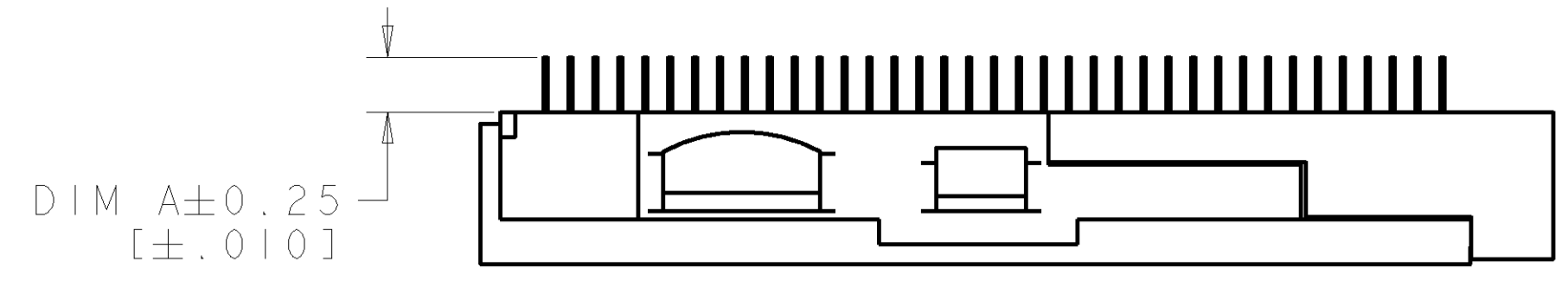


- ① MATERIAL: HOUSING AND COVER ARE HIGH TEMPERATURE THERMOPLASTIC, LIQUID CRYSTAL POLYMER (LCP), COLOR: NATURAL, FOR 1-916783-5 AND 3-916783-5, COVER IS BLACK. LP SLZ LEVER MATERIAL IS STAINLESS STEEL. CONTACT MATERIAL IS COPPER ALLOY.
  - ② FINISH: CONTACT AREA-GOLD THICKNESS PER TABLE OVER 0.00381[.000150] MIN. THICK NICKEL PLATE. SOLDERTAIL- 0.00381-0.00635 [.000150-.000250] MIN. THICK TIN-LEAD OVER 0.00127[.000050] MIN. THICK NICKEL PLATE. CONTACT AREA SHALL BE FREE OF LUBRICANT.
  - ③ PRODUCT LINE: LOW PROFILE SINGLE LEVER ZIF (LP SLZ). PRODUCT SPEC 108-1572, APPLICATION SPEC 114-1100.
  - ④ PRODUCT LINE: LOW PROFILE SCREWDRIVER ACTUATED ZIF (LP SAZ). PRODUCT SPEC 108-1572-1, APPLICATION SPEC 114-1105. INSTRUCTION SHEET 408-3355.
  - ⑤ PRODUCT CONFORMS TO NOTE ④ EXCEPT DURABILITY PER PRODUCT SPECIFICATION IS 20 CYCLES AND SMALL INDENTATIONS IN SCREWDRIVER SLOTS PERMISSIBLE AFTER ACTUATION.
- 6 DATE CODE MAY VARY IN LOCATION AND FORMAT DEPENDING ON MANUFACTURING LOCATION.

DRAWING	TRAY PACKAGED NUMBER OF SOCKETS PER SHIPPING BOX	POSITIONS	SOLDERTAIL LENGTH DIM A±0.25 [±.010]	MIN GOLD THICKNESS 2?	FC-PGA/PPGA	HANDLE STYLE	PRODUCT LINE	PART NUMBER
SEE SHEET 6	160	370	2.03 [.080]	0.00076 [.000030]	FLIP CHIP PGA (FC-PGA) OR PPGA	-	LP SAZ ④ ⑤	6-916783-1
SEE SHEET 5	160	370	2.79 [.110]	0.00038 [.000015]	PLASTIC PGA (PPGA)	-	LP SAZ ④	5-916783-6
SEE SHEET 5	160	370	2.36 [.093]	0.00038 [.000015]	PLASTIC PGA (PPGA)	-	LP SAZ ④	5-916783-5
SEE SHEET 5	160	370	2.36 [.093]	0.00076 [.000030]	PLASTIC PGA (PPGA)	-	LP SAZ ④	5-916783-2
SEE SHEET 4	160	370	3.56 [.140]	0.00038 [.000015]	PLASTIC PGA (PPGA)	-	LP SAZ ④	4-916783-7
SEE SHEET 4	160	370	2.79 [.110]	0.00038 [.000015]	PLASTIC PGA (PPGA)	-	LP SAZ ④	4-916783-6
SEE SHEET 4	160	370	2.36 [.093]	0.00038 [.000015]	PLASTIC PGA (PPGA)	-	LP SAZ ④	4-916783-5
SEE SHEET 4	160	370	2.36 [.093]	0.00076 [.000030]	PLASTIC PGA (PPGA)	-	LP SAZ ④	4-916783-2
SEE SHEET 3	90	371	2.36 [.093]	0.00038 [.000015]	PLASTIC PGA (PPGA)	LOW PROFILE	LP SLZ ③	3-916783-5
SEE SHEET 3	90	370	2.36 [.093]	FLASH	FLIP CHIP PGA (FC-PGA) OR PPGA	LOW PROFILE	LP SLZ ③	1-916783-8
SEE SHEET 3	60	370	2.36 [.093]	0.00038 [.000015]	FLIP CHIP PGA (FC-PGA) OR PPGA	JOG	LP SLZ ③	1-916783-5
SEE SHEET 2	90	370	2.79 [.110]	FLASH	FLIP CHIP PGA (FC-PGA) OR PPGA	LOW PROFILE	LP SLZ ③	2-916783-9
SEE SHEET 2	90	370	2.36 [.093]	FLASH	FLIP CHIP PGA (FC-PGA) OR PPGA	LOW PROFILE	LP SLZ ③	2-916783-8
SEE SHEET 2	90	370	2.03 [.080]	FLASH	FLIP CHIP PGA (FC-PGA) OR PPGA	LOW PROFILE	LP SLZ ③	2-916783-7
SEE SHEET 2	90	370	2.79 [.110]	0.00038 [.000015]	FLIP CHIP PGA (FC-PGA) OR PPGA	LOW PROFILE	LP SLZ ③	2-916783-6
SEE SHEET 2	90	370	2.36 [.093]	0.00038 [.000015]	FLIP CHIP PGA (FC-PGA) OR PPGA	LOW PROFILE	LP SLZ ③	2-916783-5
RESTRICTED TO INTEL SEE SHEET 2	90	370	2.03 [.080]	0.00038 [.000015]	FLIP CHIP PGA (FC-PGA) OR PPGA	LOW PROFILE	LP SLZ ③	2-916783-4
SEE SHEET 2	90	370	2.79 [.110]	0.00076 [.000030]	FLIP CHIP PGA (FC-PGA) OR PPGA	LOW PROFILE	LP SLZ ③	2-916783-3
SEE SHEET 2	90	370	2.36 [.093]	0.00076 [.000030]	FLIP CHIP PGA (FC-PGA) OR PPGA	LOW PROFILE	LP SLZ ③	2-916783-2
SEE SHEET 2	90	370	2.03 [.080]	0.00076 [.000030]	FLIP CHIP PGA (FC-PGA) OR PPGA	LOW PROFILE	LP SLZ ③	2-916783-1
SEE SHEET 2	90	370	3.56 [.140]	0.00076 [.000030]	FLIP CHIP PGA (FC-PGA) OR PPGA	LOW PROFILE	LP SLZ ③	2-916783-0
OBSOLETE	-	90	2.79 [.110]	FLASH	PLASTIC PGA (PPGA)	SHORT	LP SLZ ③	916783-9
OBSOLETE	-	90	2.36 [.093]	FLASH	PLASTIC PGA (PPGA)	SHORT	LP SLZ ③	916783-8
OBSOLETE	-	90	2.03 [.080]	FLASH	PLASTIC PGA (PPGA)	SHORT	LP SLZ ③	916783-7
OBSOLETE	-	90	2.79 [.110]	0.00038 [.000015]	PLASTIC PGA (PPGA)	SHORT	LP SLZ ③	916783-6
OBSOLETE	-	90	2.36 [.093]	0.00038 [.000015]	PLASTIC PGA (PPGA)	SHORT	LP SLZ ③	916783-5
OBSOLETE	-	90	2.03 [.080]	0.00038 [.000015]	PLASTIC PGA (PPGA)	SHORT	LP SLZ ③	916783-4
OBSOLETE	-	90	2.79 [.110]	0.00076 [.000030]	PLASTIC PGA (PPGA)	SHORT	LP SLZ ③	916783-3
OBSOLETE	-	90	2.36 [.093]	0.00076 [.000030]	PLASTIC PGA (PPGA)	SHORT	LP SLZ ③	916783-2
OBSOLETE	-	90	2.03 [.080]	0.00076 [.000030]	PLASTIC PGA (PPGA)	SHORT	LP SLZ ③	916783-1

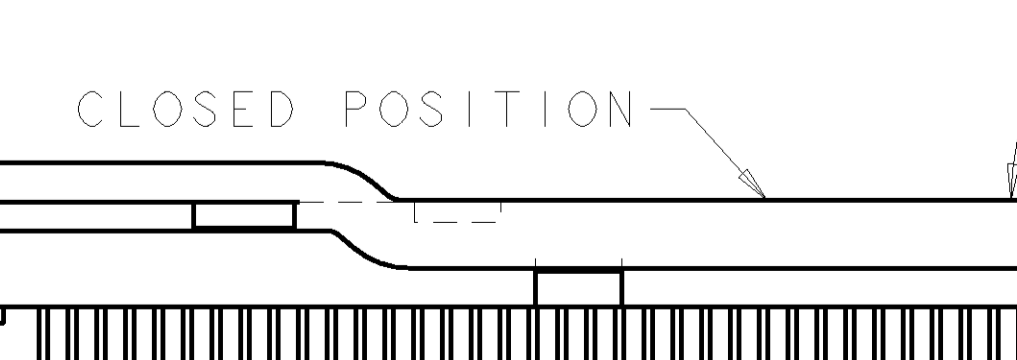
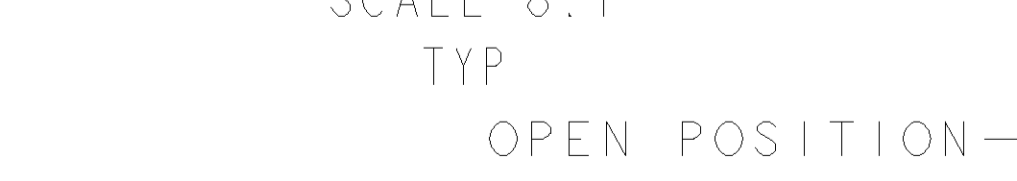
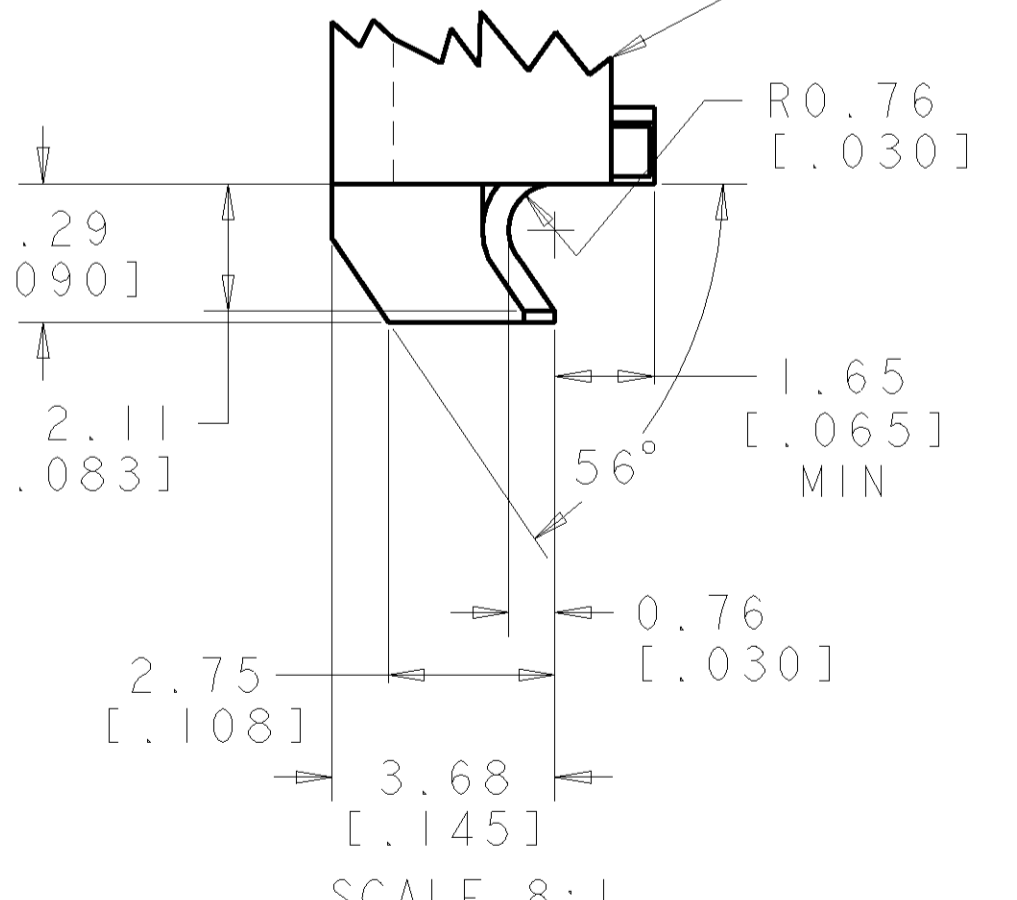
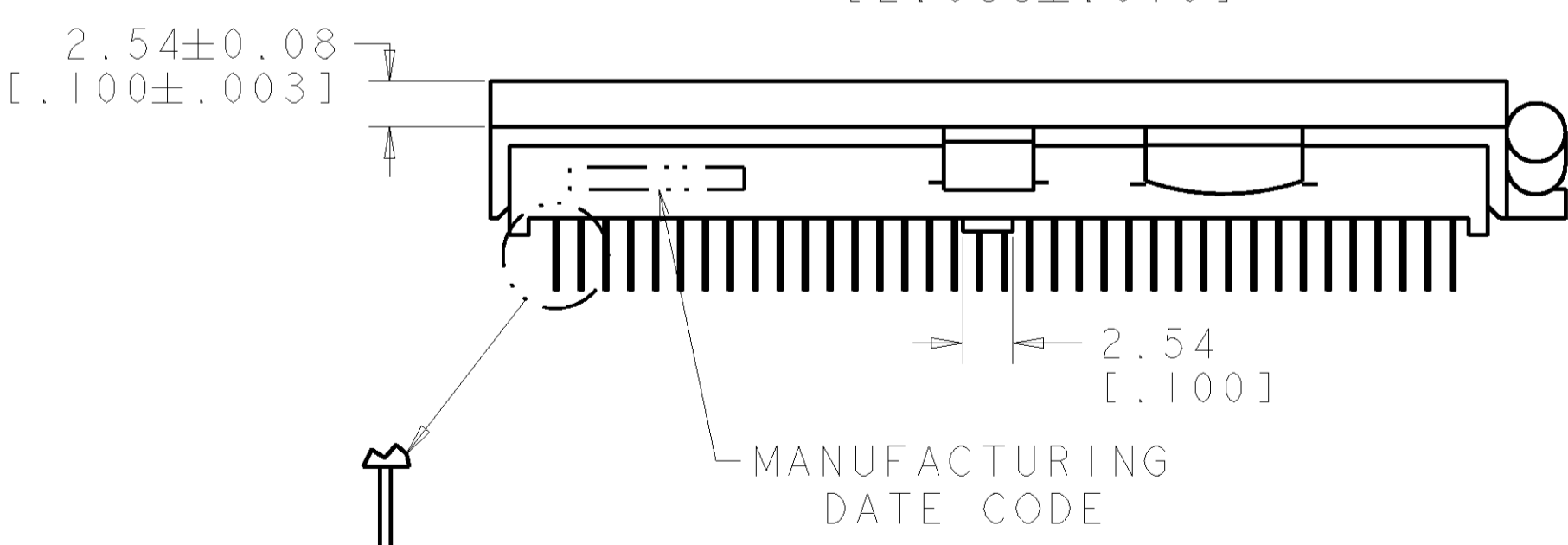
THIS DRAWING IS A CONTROLLED DOCUMENT.		DRW: B. HOLT	11SEP98	<b>AMP</b> AMP MANUFACTURING (SINGAPORE) PTE. LTD.
DIMENSIONS: mm (INCHES)		CHK: B. KUHNLY	11SEP98	
TOLERANCES UNLESS OTHERWISE SPECIFIED:		APVD: S.F. LEONG	NAME: SOCKET ASSEMBLY, LOW PROFILE, ZIF PGA, 19 X 19 GRID	RESTRICTED TO
0 PLC ± 1 PLC ±0.30 [.012] 2 PLC ± 3 PLC ± 4 PLC ± ANGLE ±2° FINISH		PRODUCT SPEC: SEE TABLE	APPLICATION SPEC: SEE TABLE	
MATERIAL: ①	②	WEIGHT:	SIZE: A1	CAGE CODE: 00779
CUSTOMER DRAWING		DRAWING NO: 916783	SCALE: 3:1	SHEET: 1 OF 6

LOC	DIST	REV	DESCRIPTION	DATE	BY	APPD
DY			SEE SHEET 1			



RECOMMENDED PCB HOLE LAYOUT

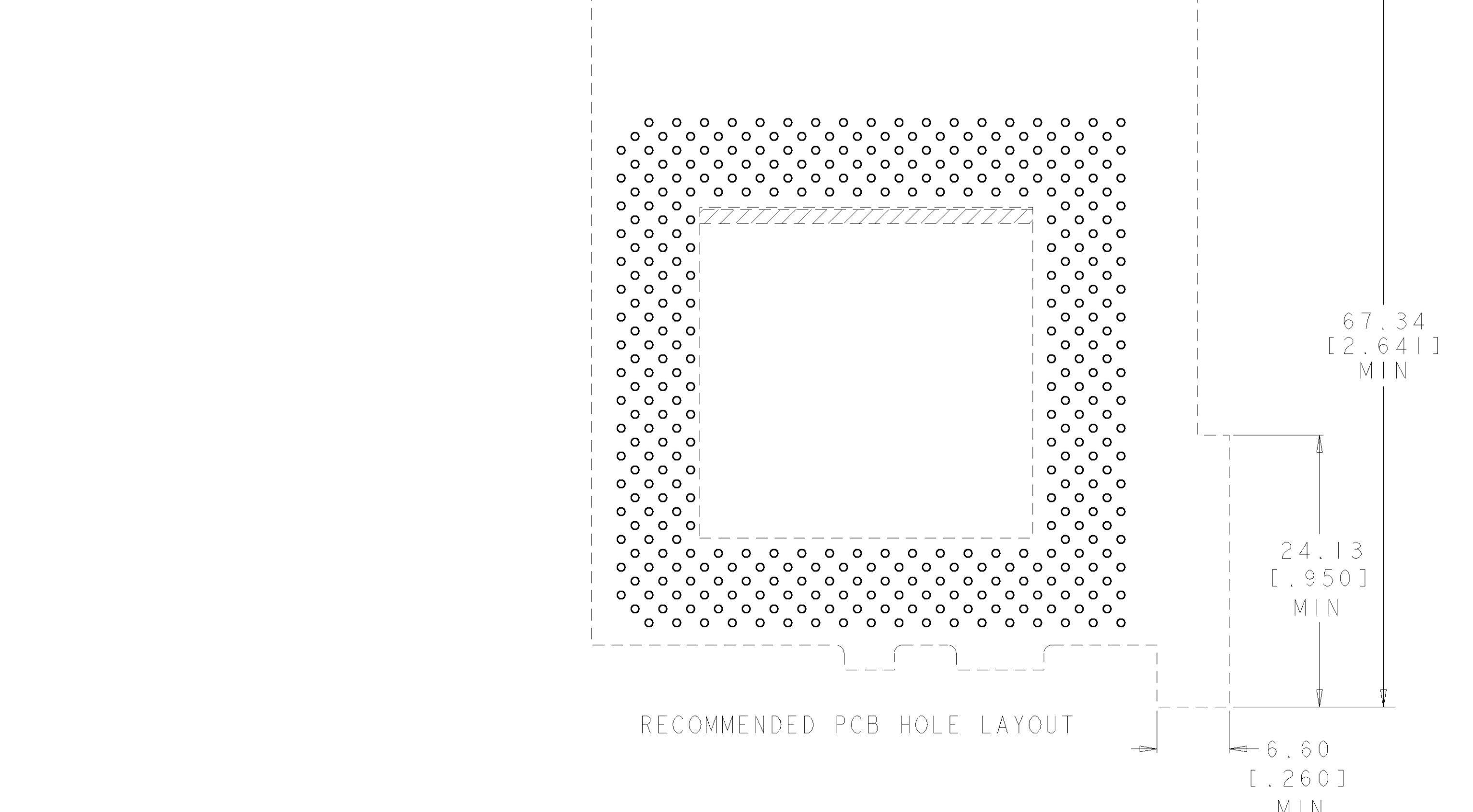
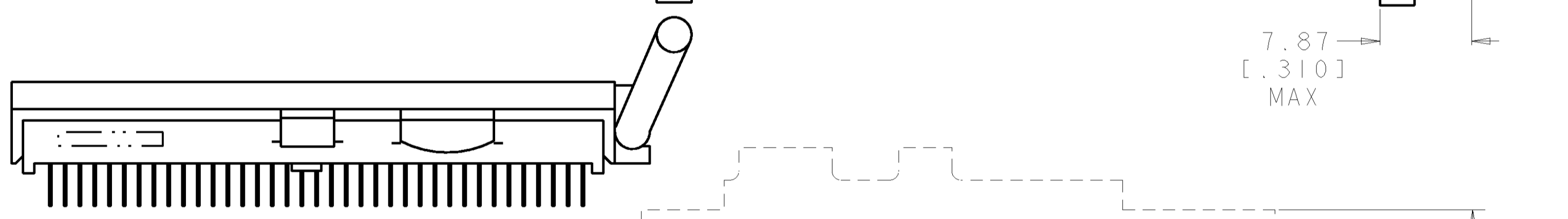
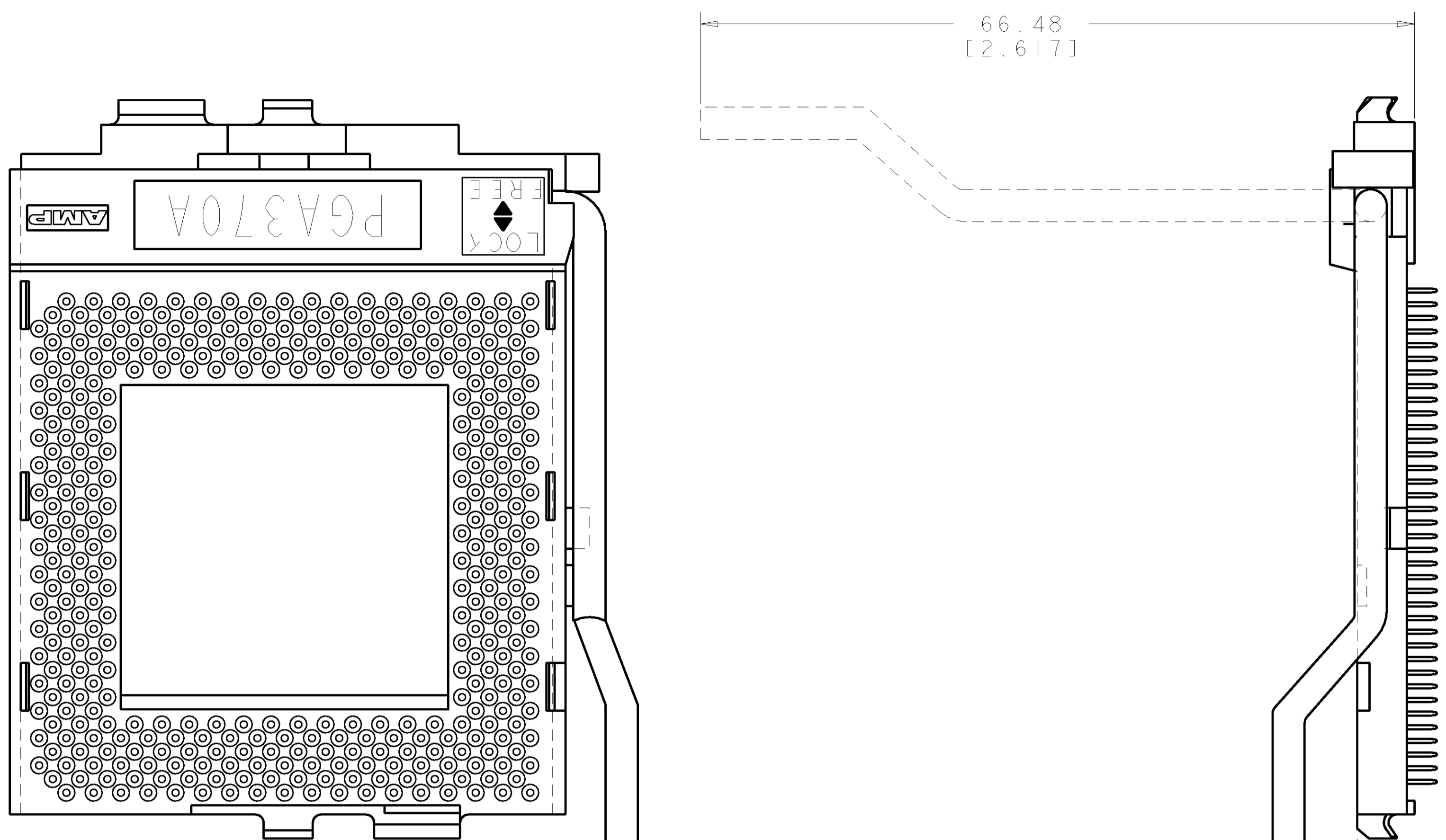
PART NUMBERS 2-916783-1 THRU 2-916783-9



OPERATION OF CAM ACTUATOR

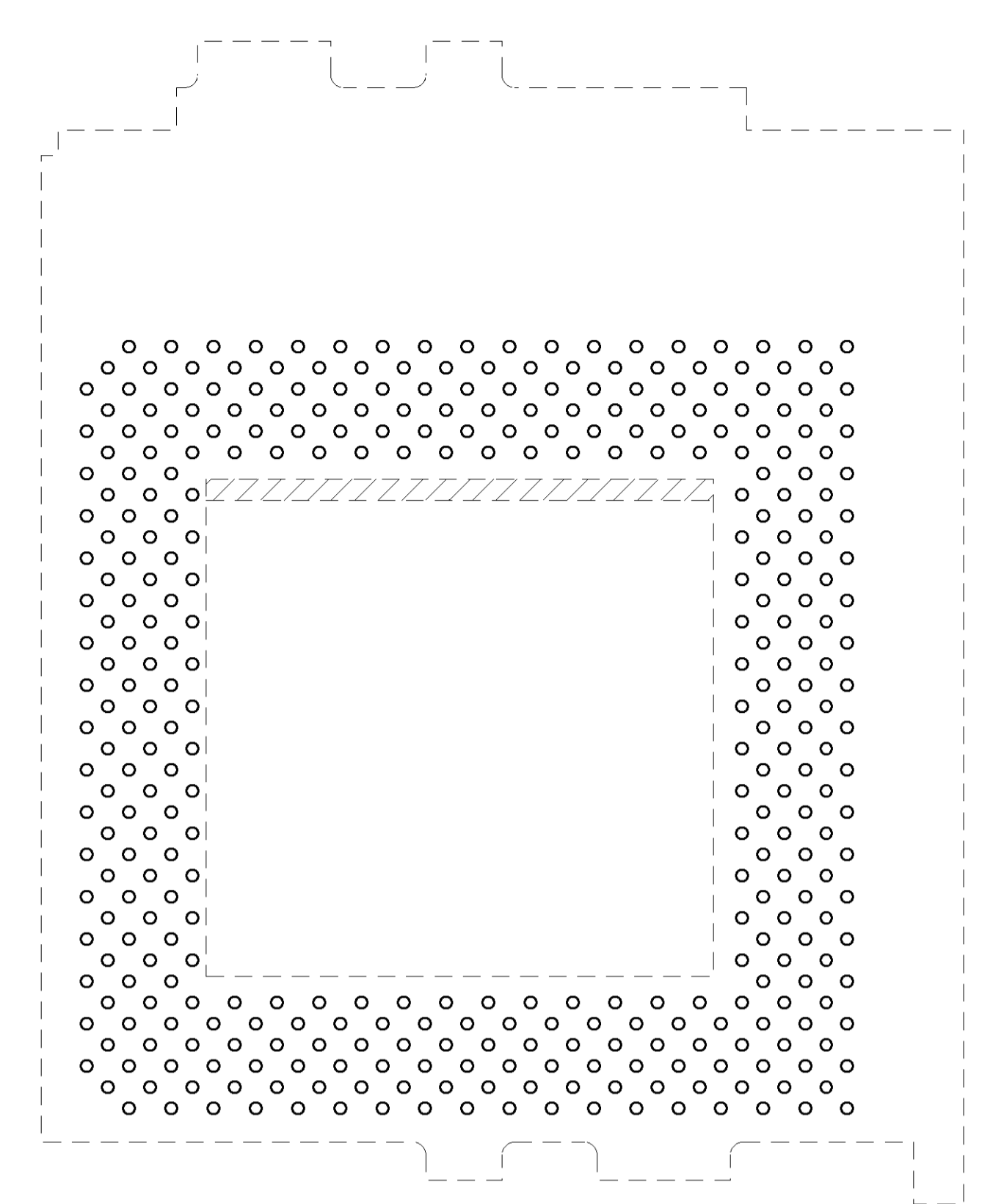
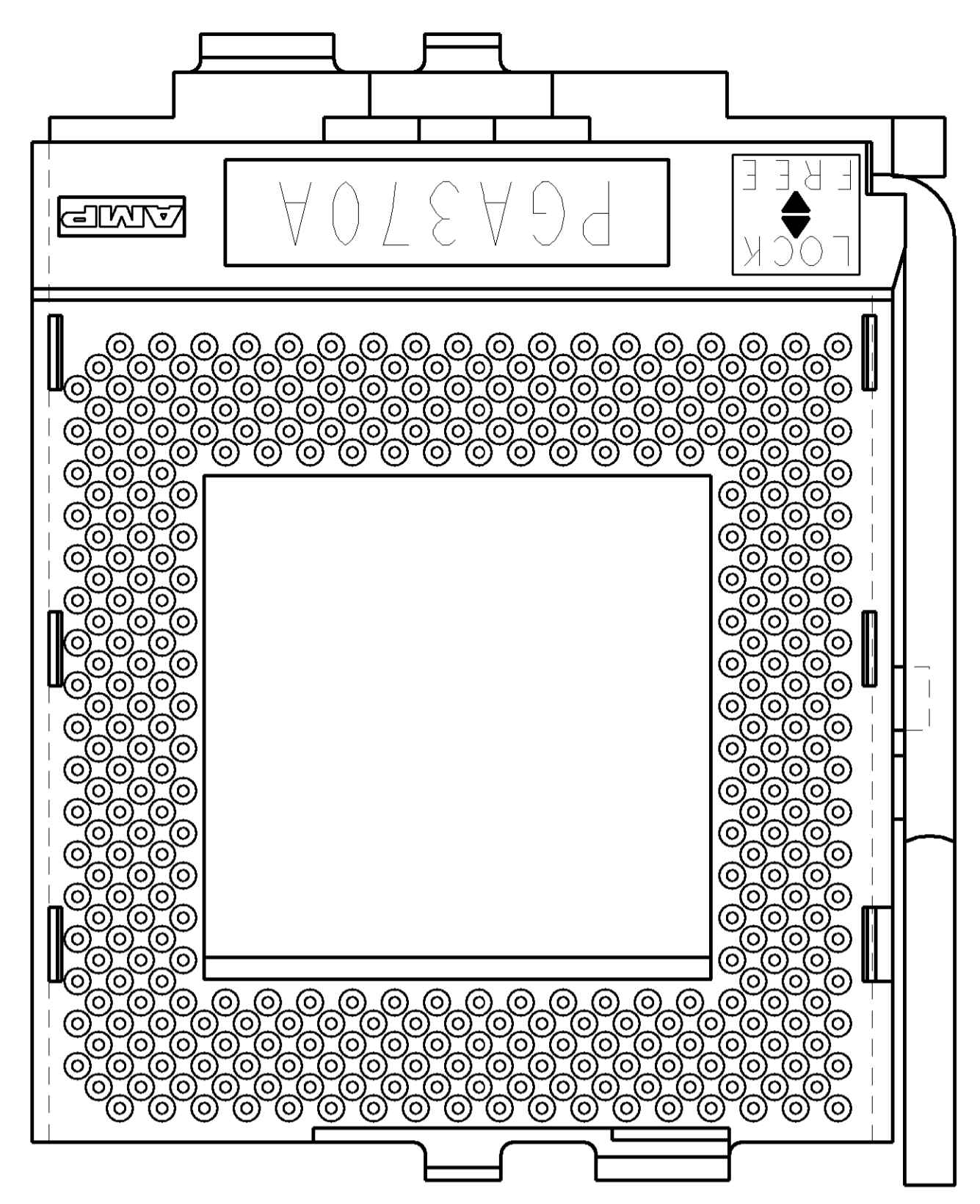
SCALE 8:1

THIS DRAWING IS A CONTROLLED DOCUMENT.		DRW: B. HOLT	15JAN99	<b>AMP</b> AMP MANUFACTURING (SINGAPORE) PTE. LTD.
DIMENSIONS: mm (INCHES)		CHK: B. KUHNLY	15JAN99	
TOLERANCES UNLESS OTHERWISE SPECIFIED:		APVD: S.F. LEONG	NAME: SOCKET ASSEMBLY, LOW PROFILE, ZIF PGA, 19 X 19 GRID	RESTRICTED TO
Ø PLC ±		PRODUCT SPEC: SEE TABLE	SIZE: CASE CODE: DRAWING NO: AI 00779	
Ø HOLE ±		APPLICATION SPEC: SEE TABLE	SCALE: 3:1	SHEET 2 OF 6
Ø PLUG ±		WEIGHT:	REV P	
Ø ANGLE ±		CUSTOMER DRAWING		

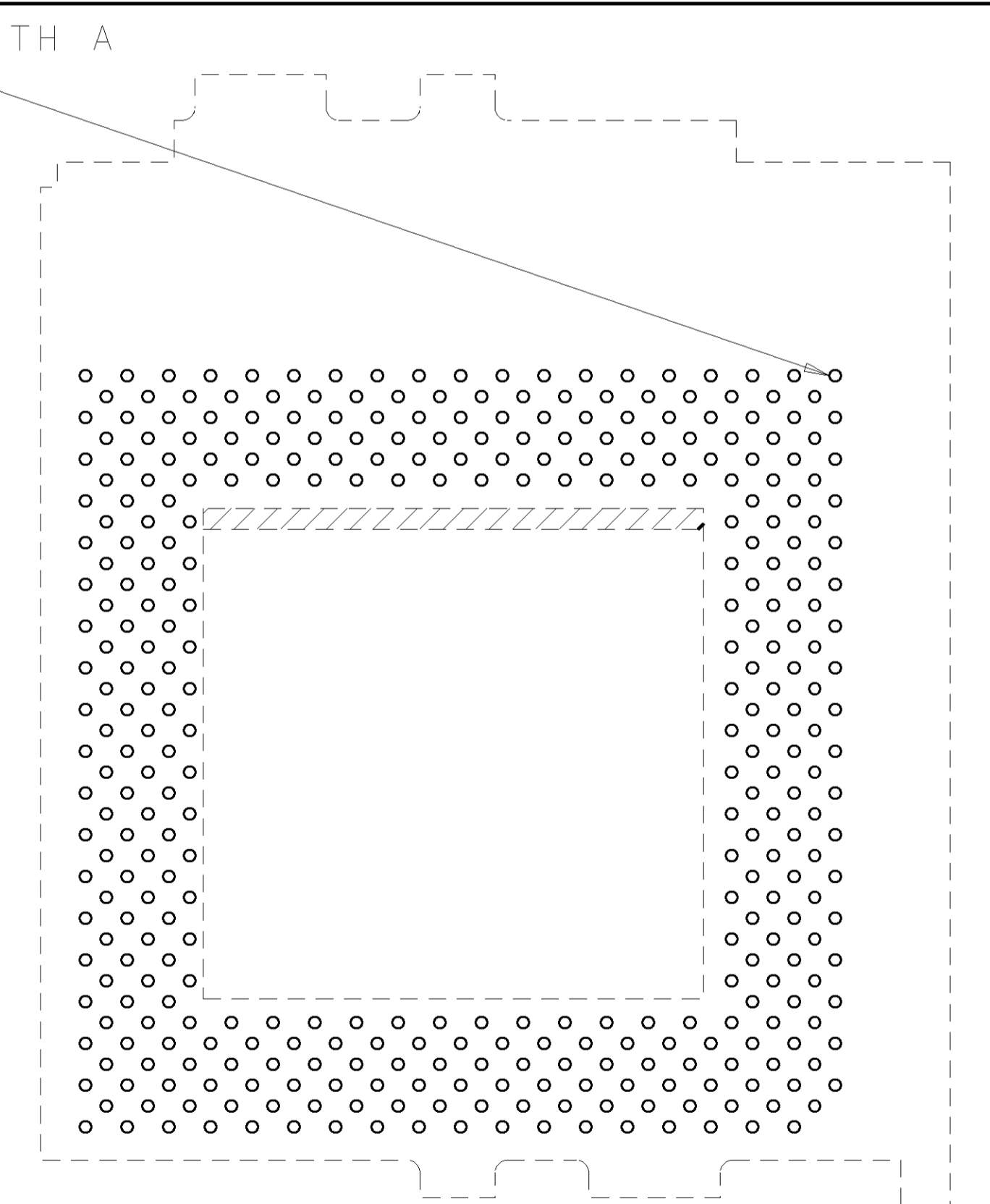
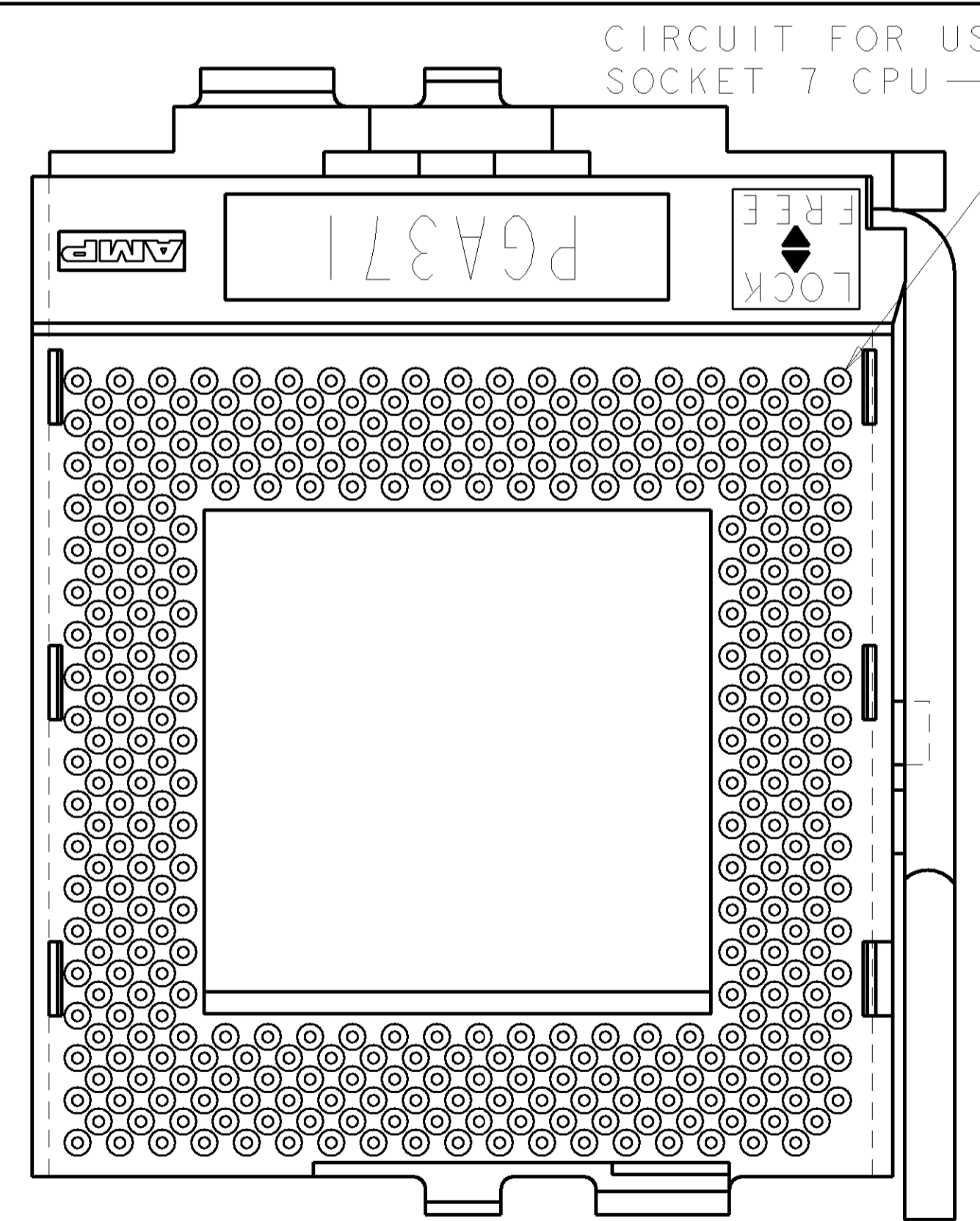


PART NUMBER 1-916783-5  
 EXCEPT ROTATED PATTERN, PGA370A LOGO AND HANDLE, ALL OTHER DETAILS SAME AS ON SHEET 2.

LOC	DISP	REV	DATE	OWN	APPR
DY		1			
DESCRIPTION					
SEE SHEET 1					



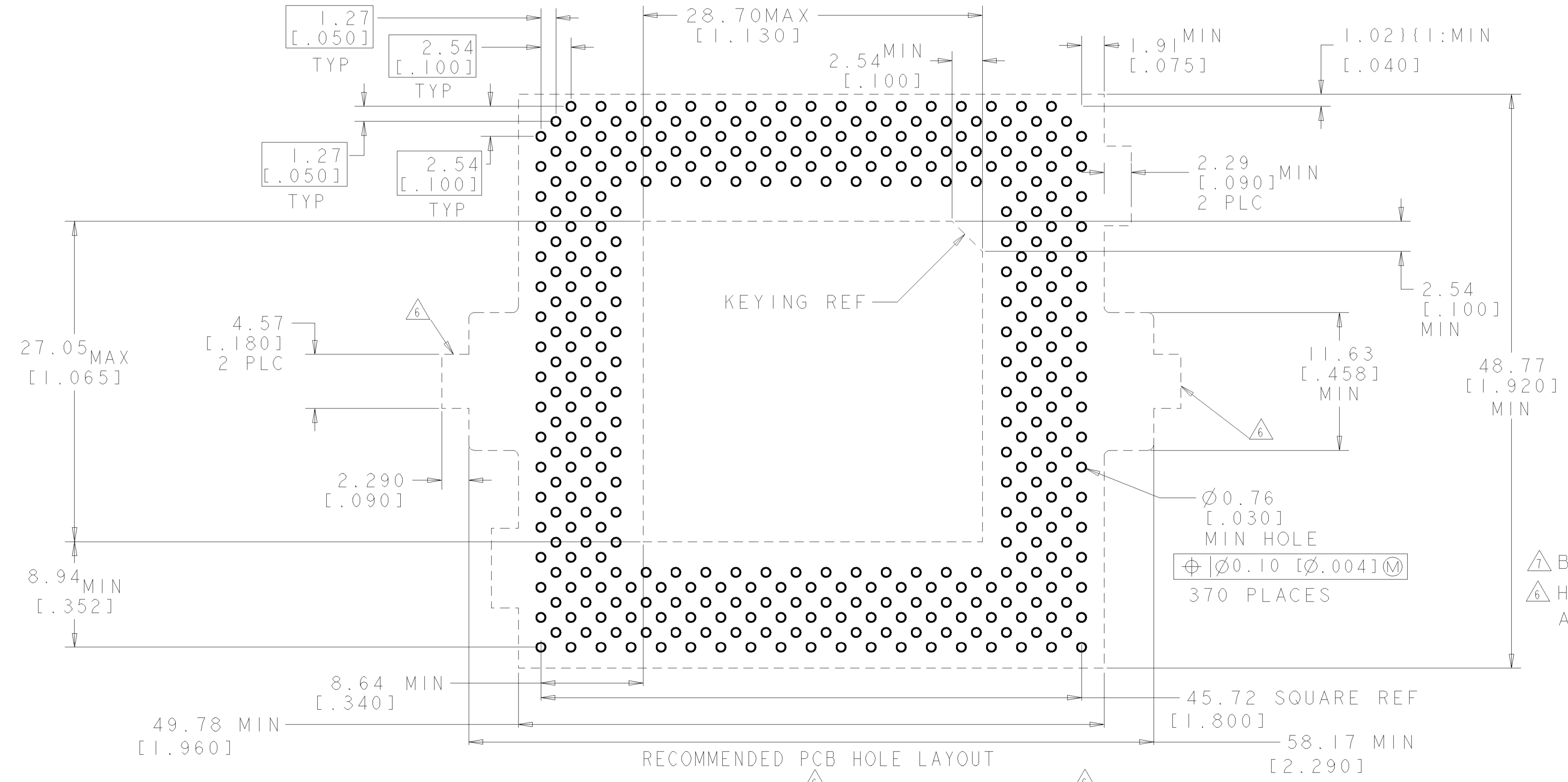
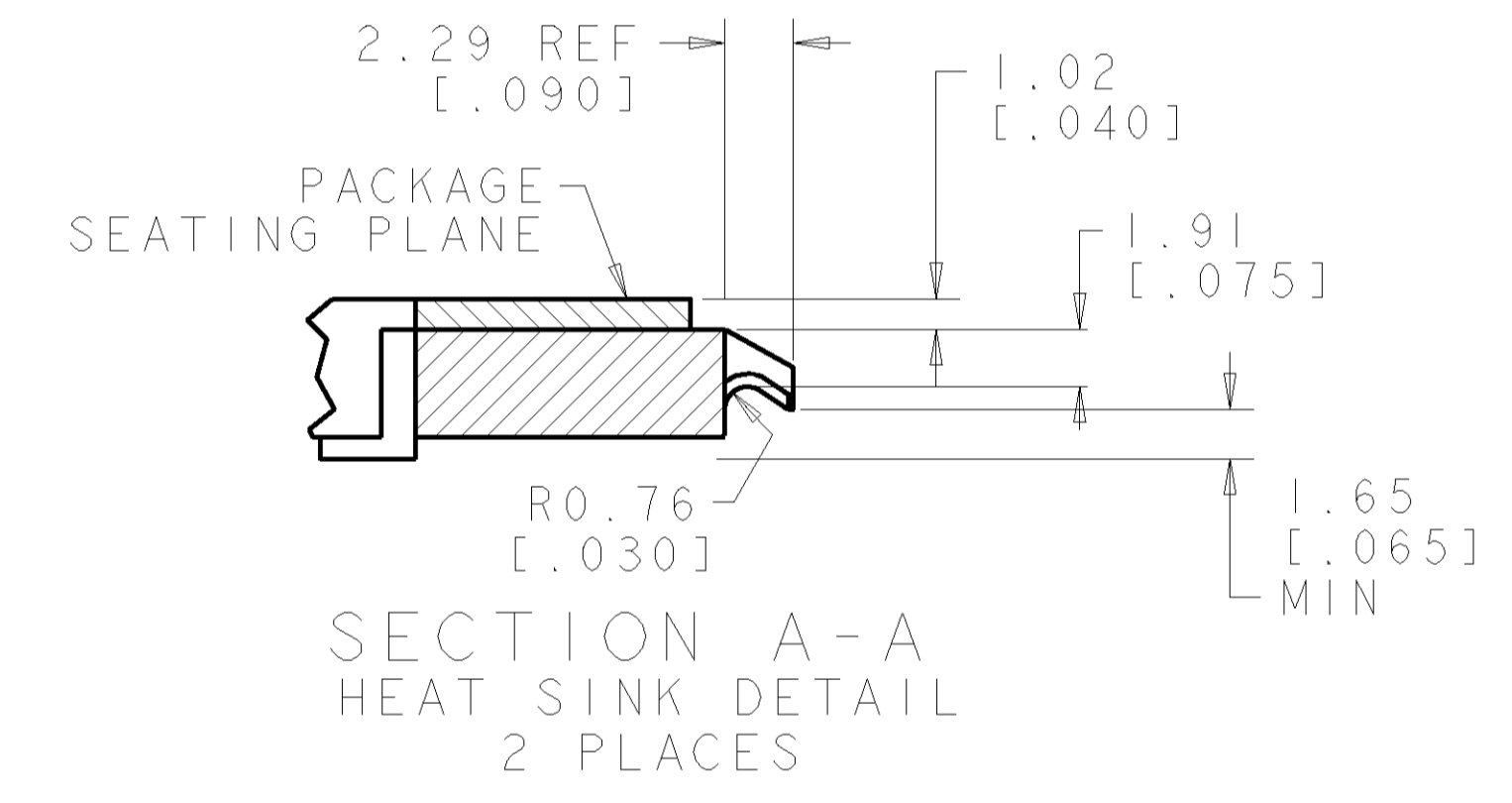
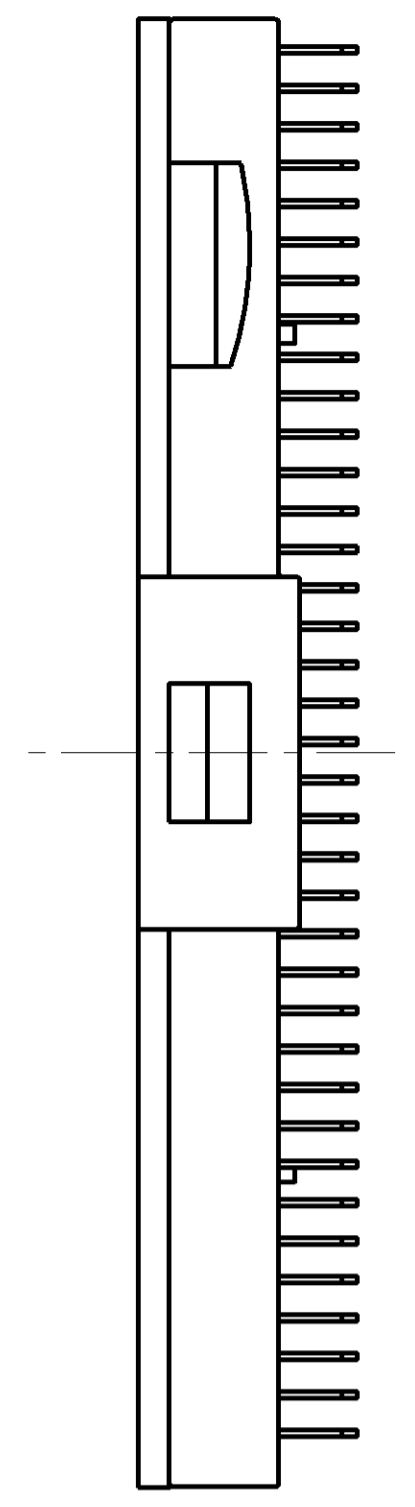
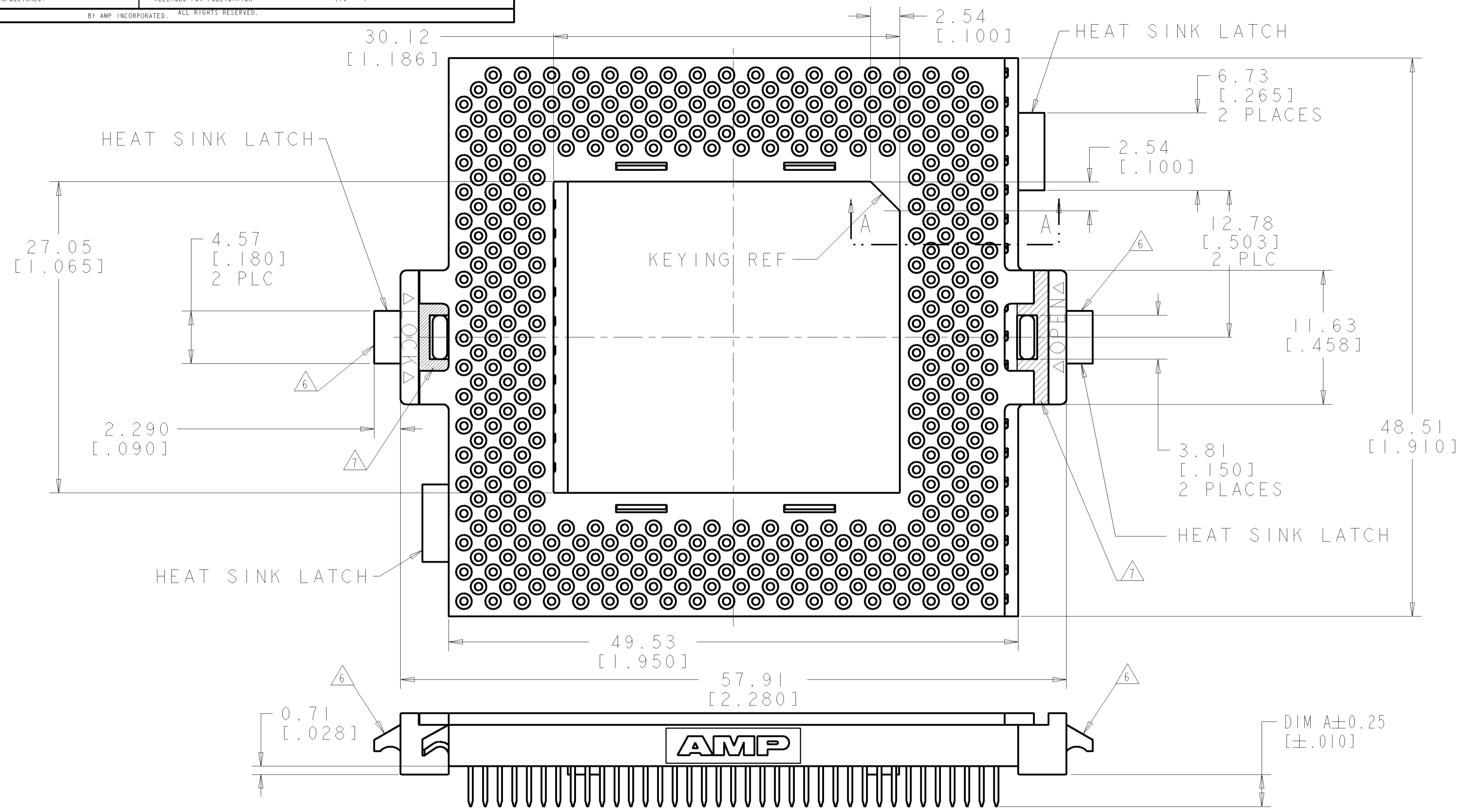
RECOMMENDED PCB HOLE LAYOUT  
 PART NUMBER 1-916783-8  
 EXCEPT ROTATED PATTERN AND PGA370A LOGO, ALL OTHER DETAILS SAME AS ON SHEET 2.



RECOMMENDED PCB HOLE LAYOUT  
 PART NUMBER 3-916783-5, 371 POSITIONS  
 EXCEPT 371 POSITIONS PATTERN AND PGA371 LOGO, ALL OTHER DETAILS SAME AS ON SHEET 2.

THIS DRAWING IS A CONTROLLED DOCUMENT.		DRW B. HOLT	DSMAY83	<b>AMP</b> AMP MANUFACTURING (SINGAPORE) PTE. LTD.
DIMENSIONS: mm (INCHES)		CHK B. KUHNLY	DSMAY83	
TOLERANCES UNLESS OTHERWISE SPECIFIED:		APVD S.F. LEONG	NAME	SOCKET ASSEMBLY, LOW PROFILE, ZIF PGA, 19 X 19 GRID
Ø		±	PRODUCT SPEC	
H		±	APPLICATION SPEC	
MATERIAL		±	SIZE	CAGE CODE
		±	AI	00779
		±	WEIGHT	916783
		±	CUSTOMER DRAWING	SCALE 3:1
		±		SHEET 3 OF 6
		±		REV P

LOC	DIST	REV	DESCRIPTION	DATE	BY	APPD
DY			SEE SHEET 1			

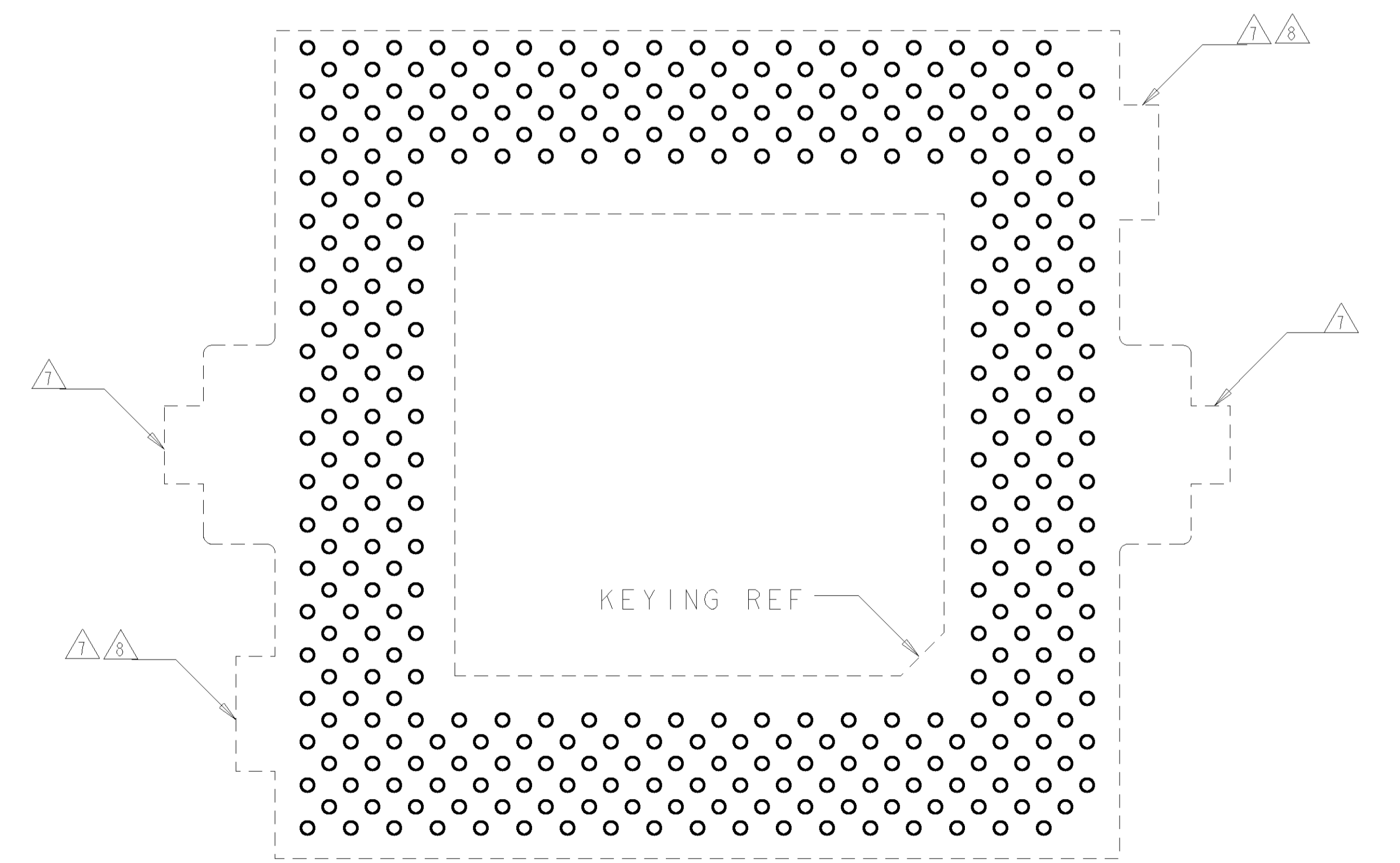
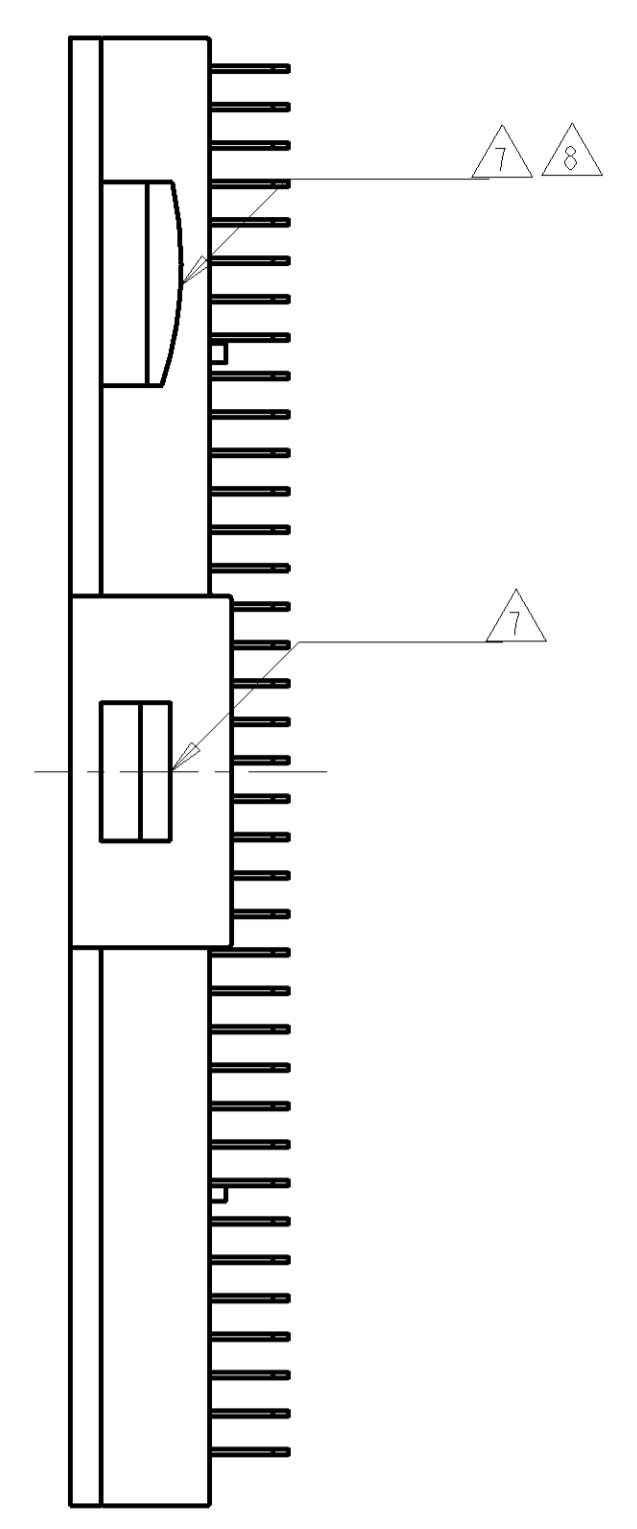
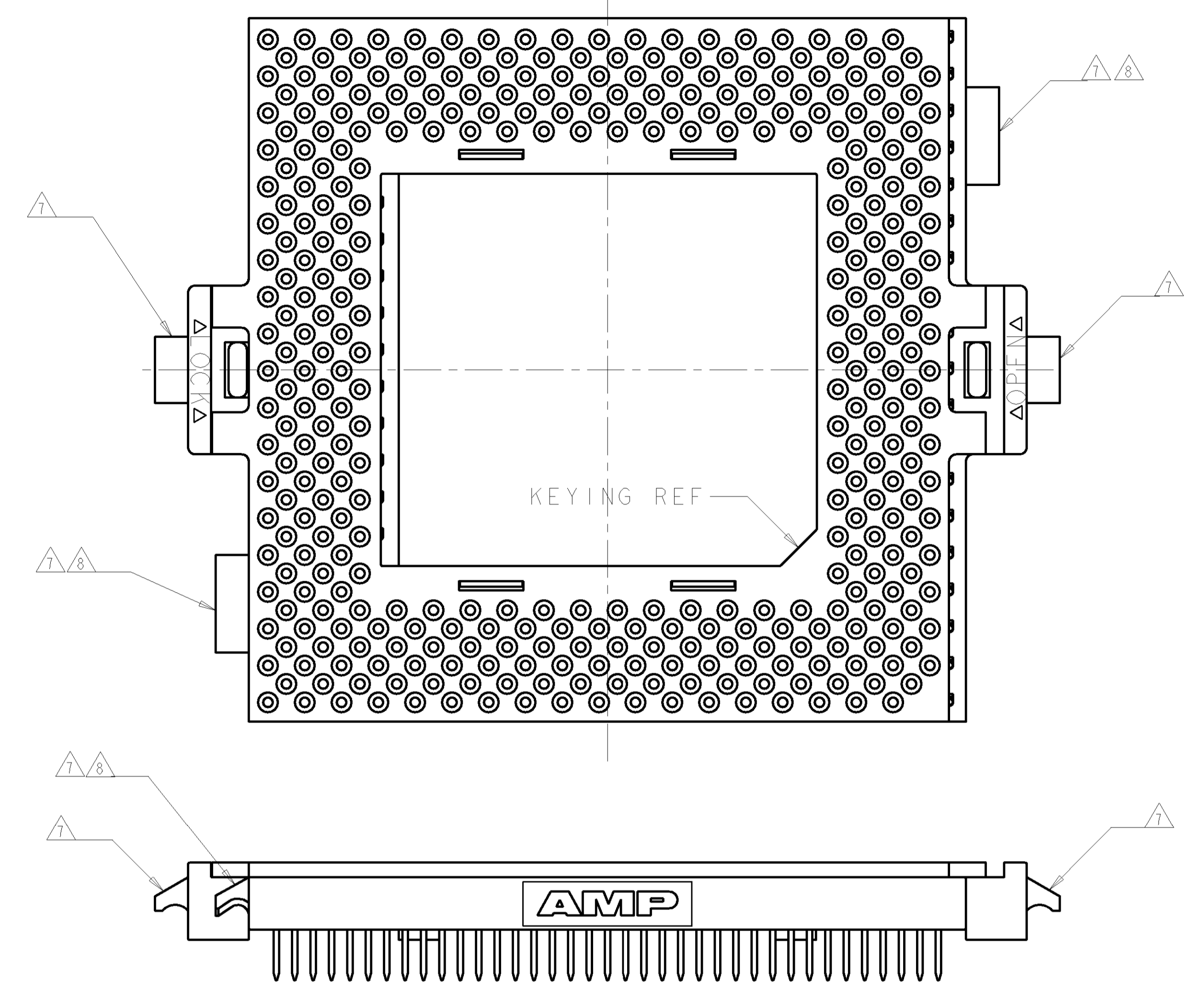


▲ BLACK COLOUR MARKING ON HOUSING P/N: 4-916783-7 ONLY.  
 ▲ HEAT SINK LATCHES ON 4-916783-5, 4-916783-6 AND 4-916783-7

PART NUMBERS 4-916783-2, 4-916783-5 AND 4-916783-6 & 4-916783-7

THIS DRAWING IS A CONTROLLED DOCUMENT.		DRN A. HOLT	DSMA199	<b>AMP</b> AMP MANUFACTURING (SINGAPORE) PTE. LTD.
DIMENSIONS: mm (INCHES)		CHK B. KUHNLY	DSMA199	
TOLERANCES UNLESS OTHERWISE SPECIFIED:		APPD S.F. LEONG	NAME SOCKET ASSEMBLY, LOW PROFILE, ZIF PGA, 19 X 19 GRID	RESTRICTED TO
0 PLC ±		PRODUCT SPEC SEE TABLE	SIZE A1	
1 PLC ±0.20 (.008)		APPLICATION SPEC SEE TABLE	SCALE 4:1	SHEET 4 OF 6
2 PLC ±		WEIGHT CUSTOMER DRAWING	DRAWING NO. 916783	
3 PLC ±			REV P	
4 PLC ±				
ANGLES				

LOC	BY	DATE	DESCRIPTION	DATE	BY	APPROV
DY			SEE SHEET 1			

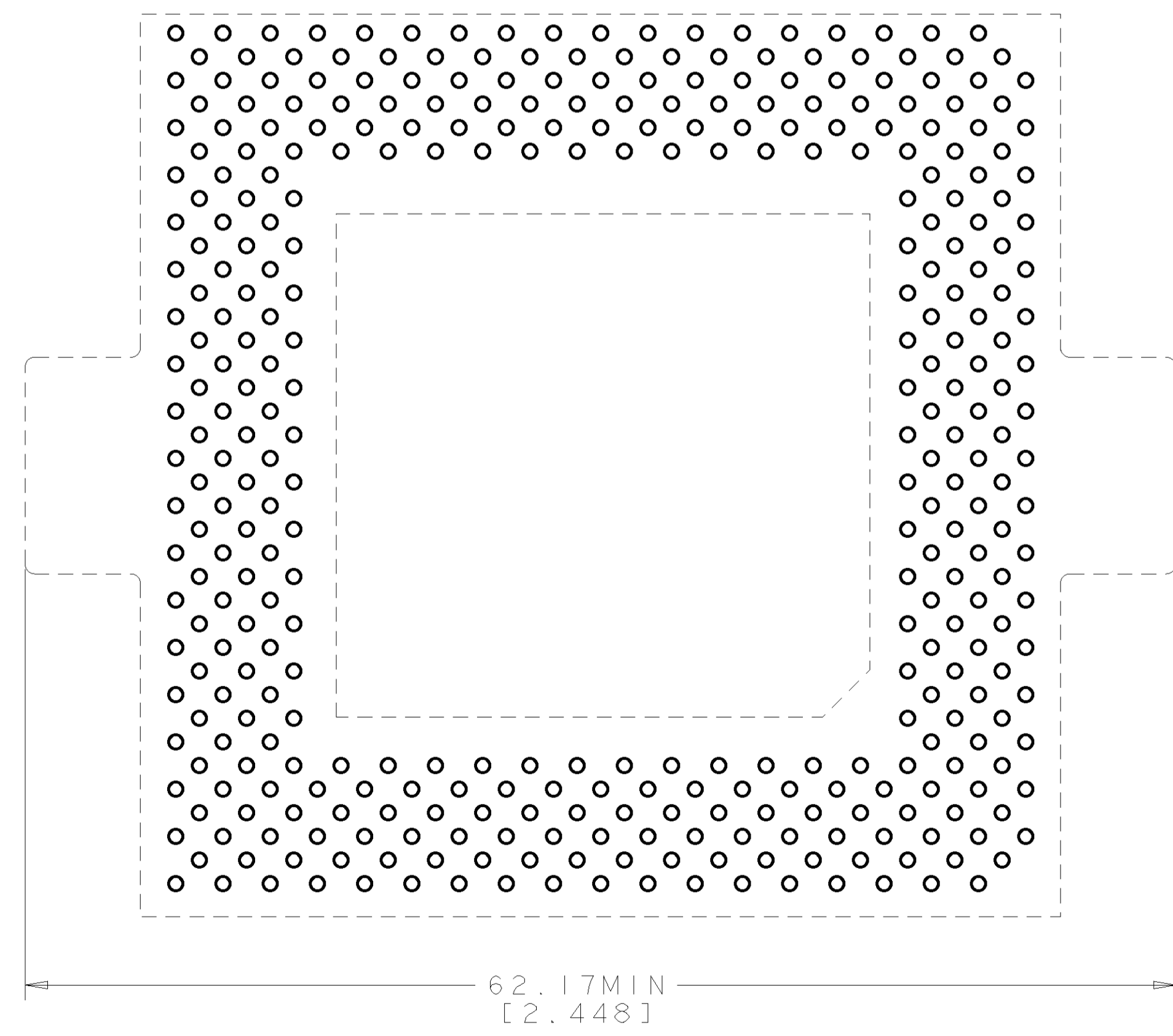
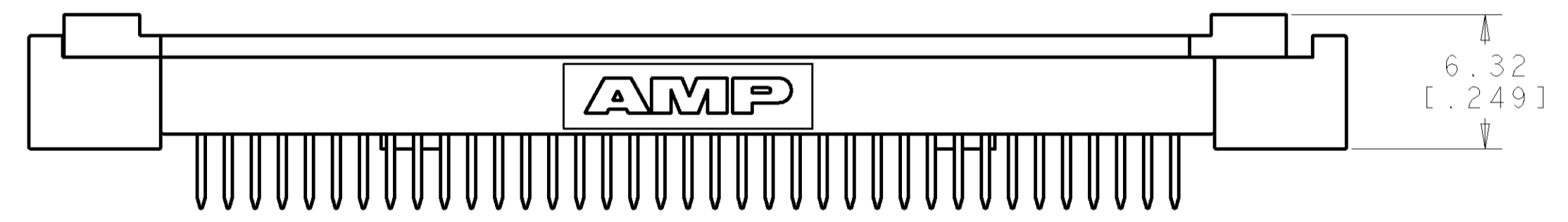
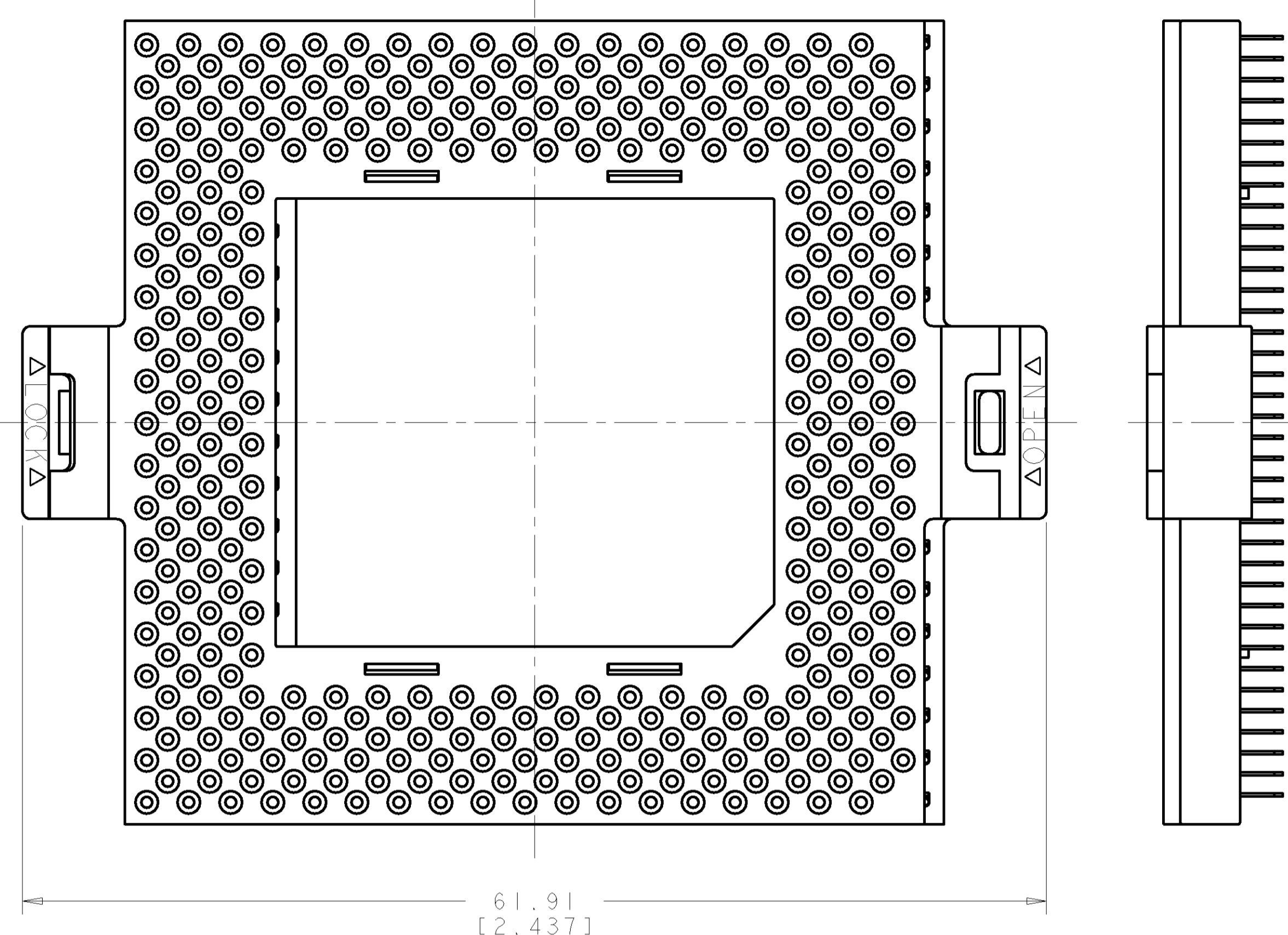


RECOMMENDED PCB HOLE LAYOUT  
 PART NUMBERS 5-916783-2, 5-916783-5 AND 5-916783-6  
 EXCEPT FOR PATTERN AND ROTATED KEYING  
 ALL OTHER DETAILS SAME AS SHEET 4

7? HEAT SINK LATCHES ON 5-916783-5 ONLY.  
 8? HEAT SINK LATCHES ON 5-916783-6 ONLY.

THIS DRAWING IS A CONTROLLED DOCUMENT.		DWN A. HOLT 05M4199 CHK B. KUHNLY 05M4199	AMP MANUFACTURING (SINGAPORE) PTE. LTD.
DIMENSIONS: mm (INCHES)	TOLERANCES UNLESS OTHERWISE SPECIFIED:	NAME SEI L FONG	PRODUCT SPEC SEE TABLE
0.0125 (±0.0005) 0.025 (±0.001) 0.050 (±0.002) 0.100 (±0.004) 0.200 (±0.008)	ANGLES ±	APPLICATION SPEC SEE TABLE	SIZE A1
MATERIAL	FINISH	WEIGHT	SCALE 4:1 SHEET 5 OF 6 REV P
CUSTOMER DRAWING		DRAWING NO 00779-916783	RESTRICTED TO

LOC	DIST	REVISIONS			
		REV	DATE	BY	APPD
DY		-	SEE SHEET 1	-	-



RECOMMENDED PCB HOLE LAYOUT

PART NUMBER 6-916783-1

EXCEPT FOR PATTERN, ROTATED KEYING, NO HEAT SINK LATCHES AND EXTENDED ACTUATION TABS,  
ALL OTHER DETAILS SAME AS 4-916783-2

THIS DRAWING IS A CONTROLLED DOCUMENT.		DRN A. HOLT	SINAROO	<b>AMP</b> AMP MANUFACTURING (SINGAPORE) PTE. LTD.
DIMENSIONS: mm (INCHES)		CHK B. KUHNLY	SINAROO	
TOLERANCES UNLESS OTHERWISE SPECIFIED:		APPD SEI L'ONG	NAME	SOCKET ASSEMBLY, LOW PROFILE, ZIF PGA, 19 X 19 GRID
0.150 ±		PRODUCT SPEC	SEE TABLE	
0.250 ±		APPLICATION SPEC	SEE TABLE	RESTRICTED TO
0.500 ±		SIZE	A1	00779
0.750 ±		SCALE	4:1	SHEET 6 OF 6
0.750 ±		WEIGHT	916783	REV P
0.750 ±		CUSTOMER DRAWING		