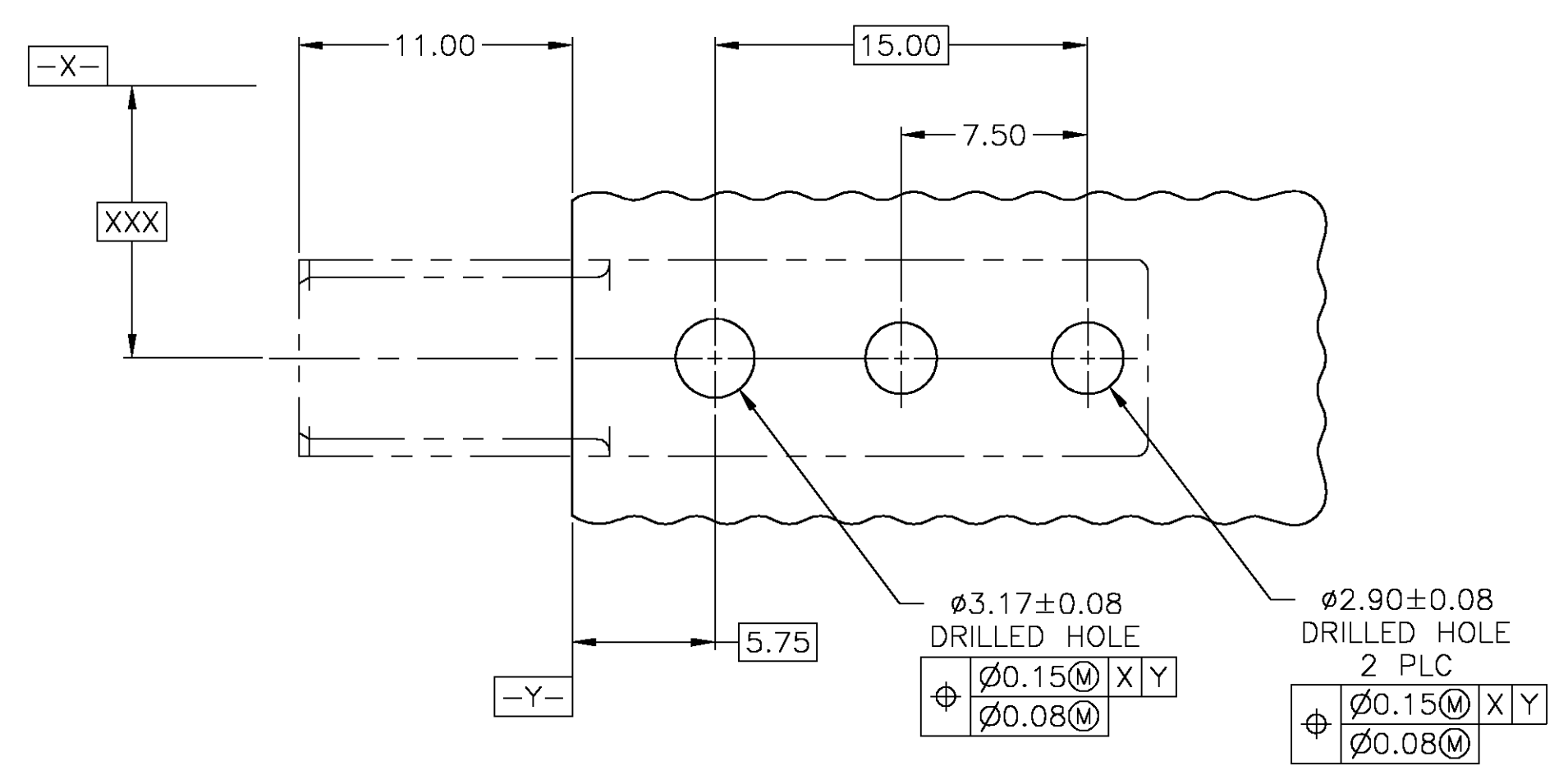
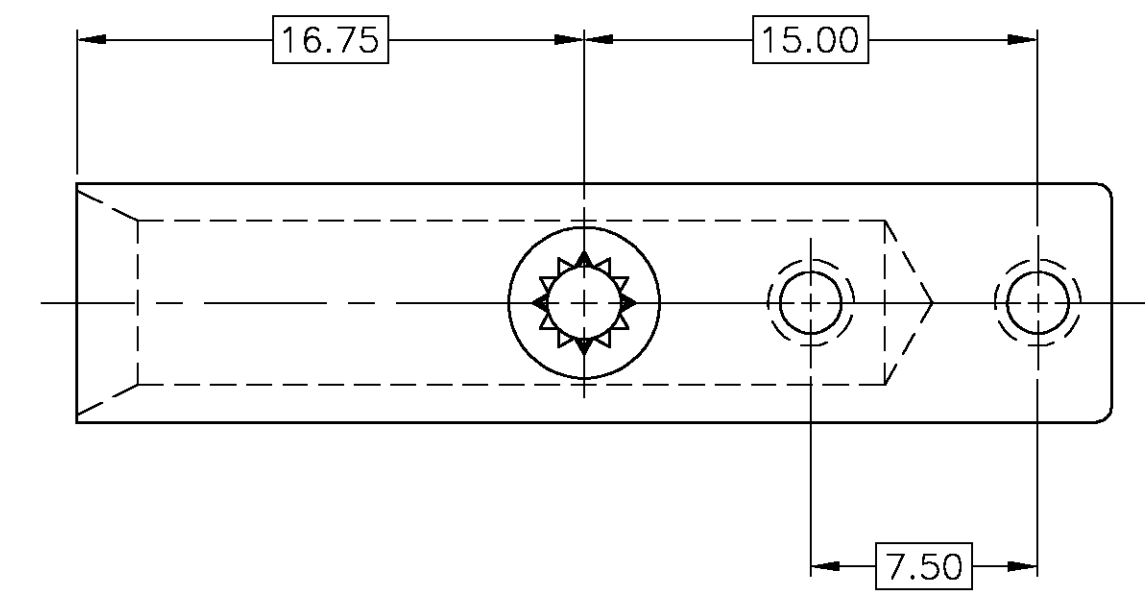
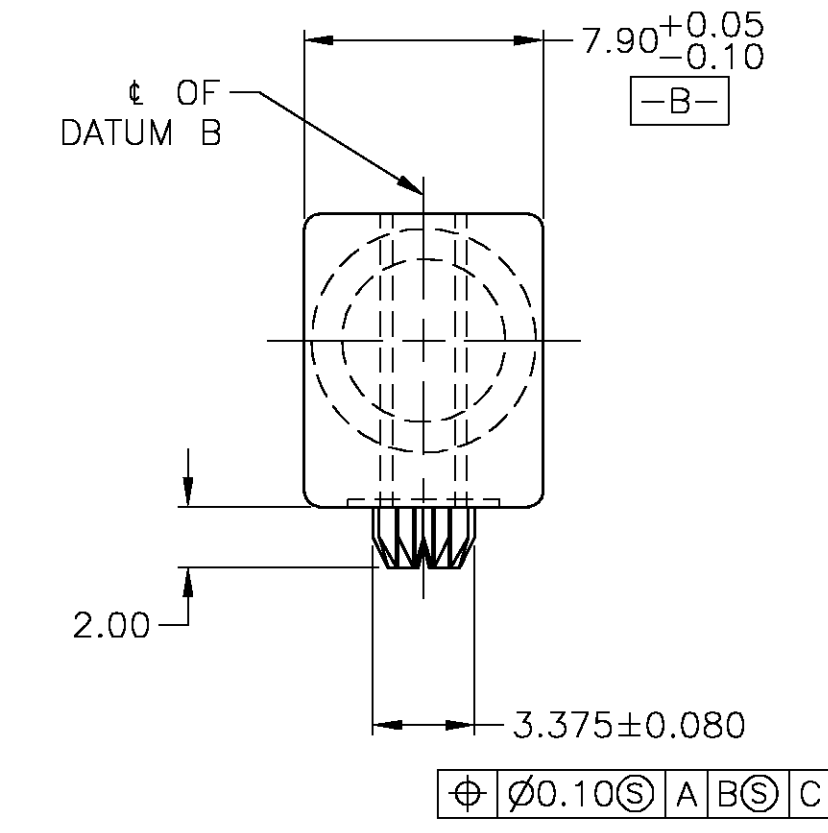
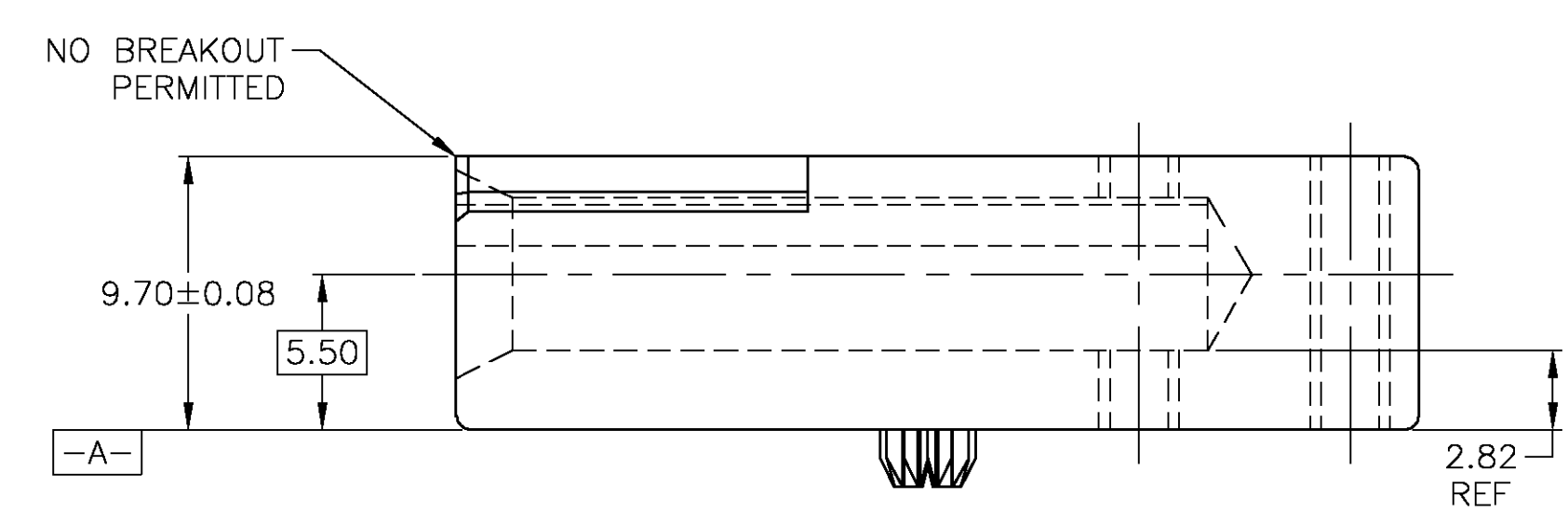
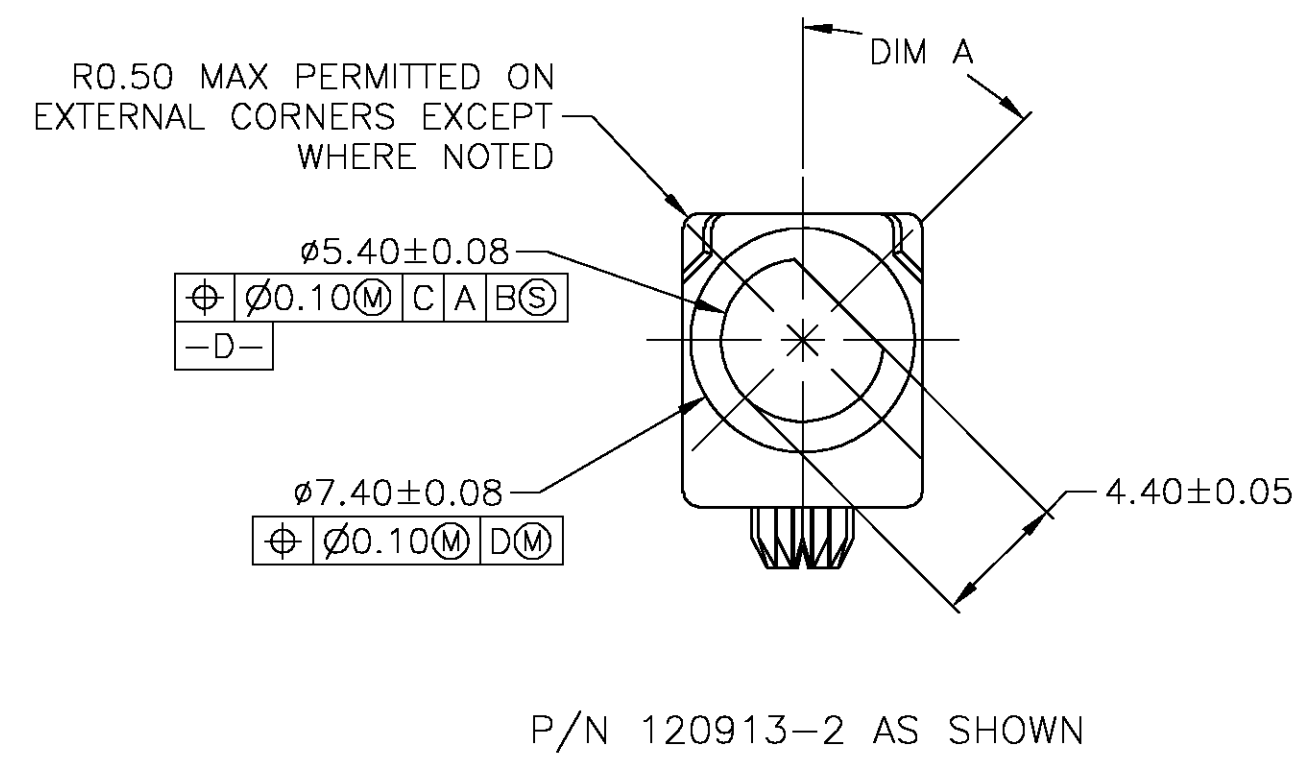


1 MATERIAL: ZINC ALLOY DIE CASTING.
 2 SURFACE FINISH: CHROMATE CONVERSION COATING. (ROHS COMPATIBLE).



FOOT PRINT

KEYING POSN	DIM A	PART NUMBER
8	315'	5120913-8
7	270'	5120913-7
6	225'	5120913-6
5	180'	5120913-5
4	135'	5120913-4
3	90'	5120913-3
2	45'	5120913-2
1	0'	5120913-1

THIS DRAWING IS A CONTROLLED DOCUMENT.		DIN J. POLIGNONE DSAPROS	Tyco Electronics Corporation Harrisburg, PA, 17105-3608	
DIMENSIONS: MM		CHK R. PATTERSON DSAPROS	NAME: MODULE, FEMALE, UNIVERSAL POWER MODULE	
TOLERANCES UNLESS OTHERWISE SPECIFIED:		APVD R. PATTERSON DSAPROS	PRODUCT SPEC	
0 PLC ± -		APPLICATION SPEC		
1 PLC ± -		SIZE: A1		
2 PLC ± 0.13		CAGE CODE: 00779		
3 PLC ± -		DRAWING NO: 5120913		
4 PLC ± -		RESTRICTED TO: -		
ANGLES ± -		WEIGHT: -		
FINISH		CUSTOMER DRAWING		
1		SCALE: 4:1		
2		SHEET: 1 OF 1		
		REV: 0		