

Model No: BC25SC55-04

Rev: 1

Product Line: Tymphany

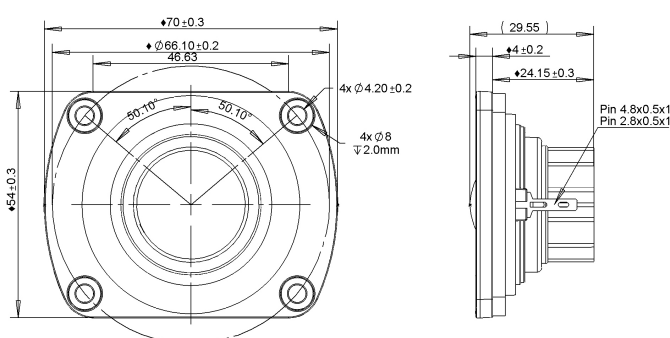
Last Update: 2017-04-21 12:39:42

Product Description

This BC family tweeter features a 4 ohm 25 mm voice coil, a damped fabric dome for smooth frequency response performance, and ferrofluid in the gap of the neodymium magnet motor, providing enhanced cooling of the voice coil. The tweeter comes with a compact faceplate with recessed mounting holes, complete with sealing gasket which helps in reducing vibration between baffle and driver. A finned heat sink has been added for improved power handling.



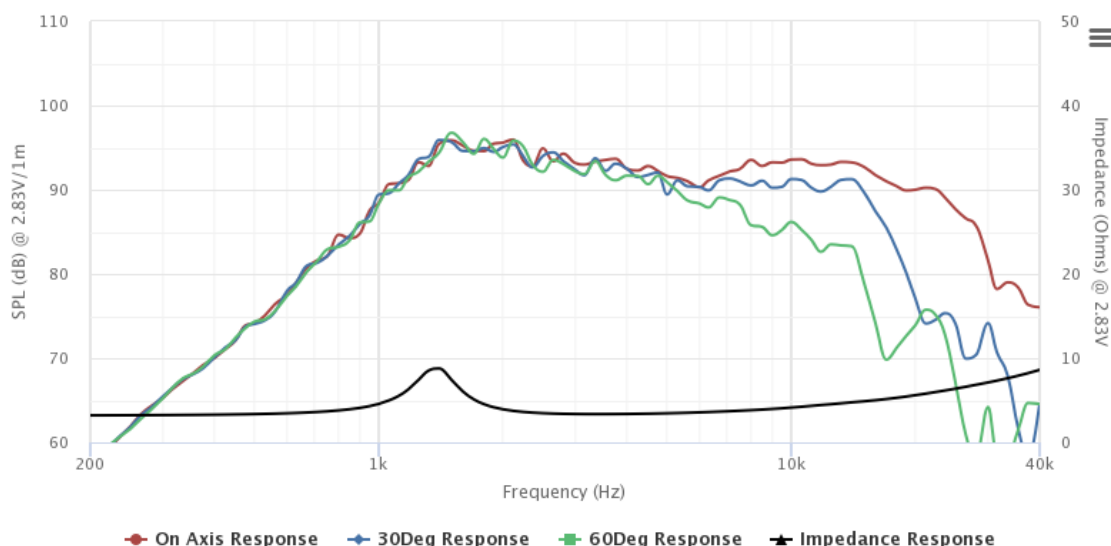
Mechanical Drawing



Specifications

DC Resistance	Revc	Ohms	2.74	5.0%	Energy Bandwidth Product	EBP	(1/Qes)*fs	767.12
Minimum Impedance	Zmin	Ohms	3.36	7.5%	Moving Mass	Mms	g	0.4
Voice Coil Inductance	Le	mH	0.02		Suspension Compliance	Cms	um/N	35.8
Resonant Frequency	Fs	Hz	1401.51	15%	Effective Cone diameter	D	cm	3
Mechanical Q Factor	Qms		3.82		Effective Piston Area	Sd	cm ²	7.1
Electrical Q Factor	Qes		1.83		Effective Volume	Vas	L	0
Total Q Factor	Qts		1.24		Motor Force Factor	BL	Tm	2.18
Ratio Fs/Qts	F	Fs/Qts	1134.82		Motor Efficiency Factor	β	(T*M ²)/Ohms	1.7
Half Space Sensitivity @2.83V	db@2.83V/1M	dB	93.34	+/- 1.0db	Voice coil former Material	VCfm		ASV
Half Space Sensitivity @1W/1M	db@1W/1M	dB	89.6	+/- 1.0db	Voice coil inner diameter	VCd	mm	25.4
Gap Height	Gh	mm	2		Rated Noise Power	P	W	100
Maximum Linear Excursion	Xmax	mm	0		Test Spectrum Bandwidth		1.4kHz - 20kHz	
Ferrofluid Type	FF		APG O27n		Driver Size	Inch	25 mm	
Driver Mass	Kg		0.08					

Frequency and Impedance Response



Highcharts.com