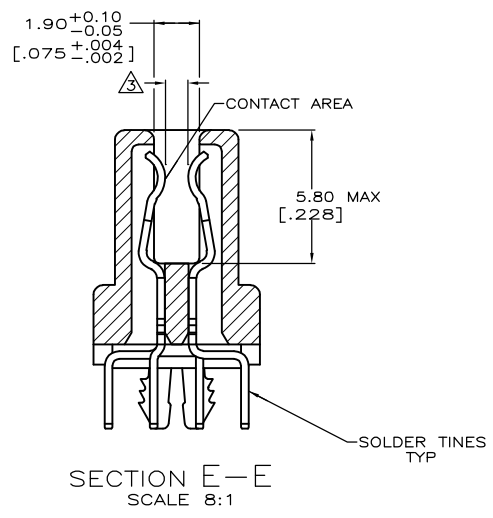
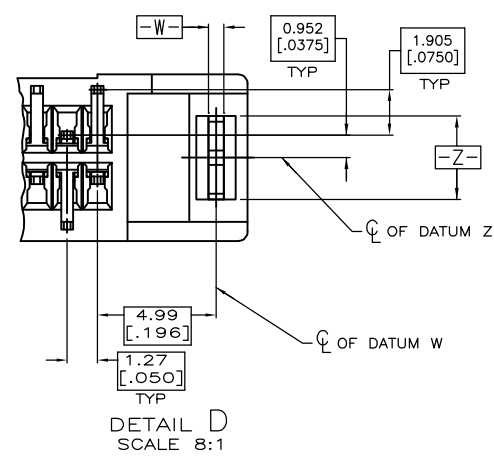
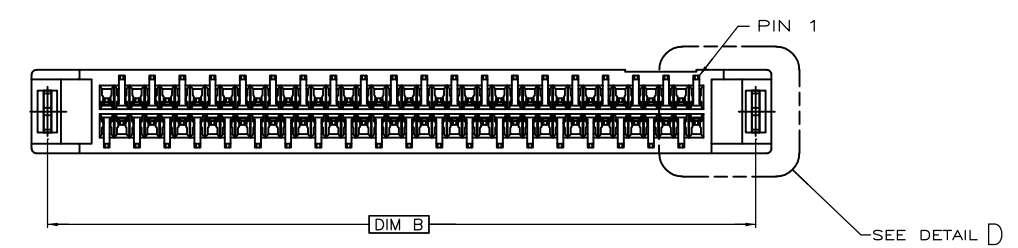
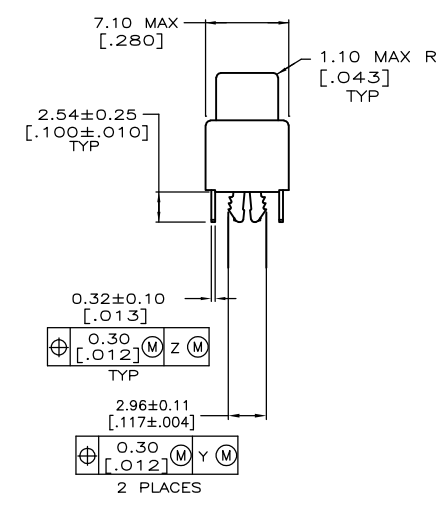
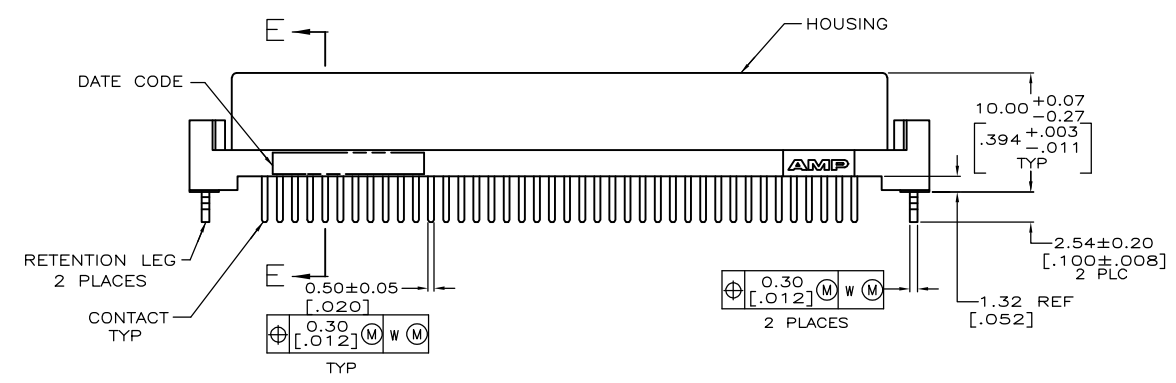
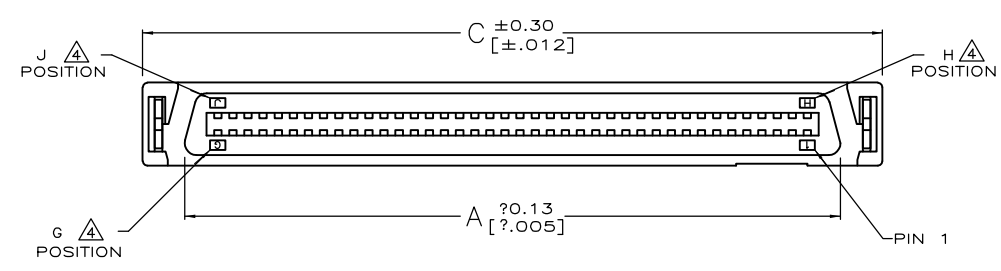


THIS DRAWING IS UNPUBLISHED. RELEASED FOR PUBLICATION
 © COPYRIGHT 2011 BY TYCO ELECTRONICS CORPORATION. ALL RIGHTS RESERVED.

LOC		DIST		REVISIONS				
P	LTR	DESCRIPTION			DATE	DWN	APVD	
	B1	REVISED PER ECR-12-013103			21MAR2013	K.M	E.T	



- △ HOUSING: PPA RESIN, BLACK.
CONTACTS: PHOSPHOR BRONZE.
RETENTION LEG: BRASS.
- 2. CONNECTOR WILL ACCOMMODATE PRINTED CIRCUIT BOARD THICKNESS OF 0.79 TO 1.60 [.031 TO .063].
- △ CONNECTOR WILL ACCOMMODATE MATING PRINTED CIRCUIT BOARD OF 1.60±0.08 [.063±.003] THICKNESS.
- △ SEE TABLE G, J, AND H INDICATE NUMBER OF POSITIONS MARKED ON ASSEMBLY.
- △ CONTACTS: GOLD FLASH OVER
0.76µm [.000030] MIN PALLADIUM-NICKEL PLATING ON CONTACT AREA,
3.81µm [.000150] MIN MATTE TIN PLATING ON SOLDER TAILS,
1.27µm [.000050] MIN NICKEL UNDERPLATING OVERALL.
- △ RETENTION LEG: 3.81µm [.000150] MIN MATTE TIN OVER 1.27µm [.000050] MIN NICKEL.
- 7 WAVE SOLDER CAPABLE TO 265°C PER TE SPEC 109-202, CONDITION B.
- △ ALL DIMENSIONS SHOWN ARE MAXIMUM UNLESS OTHERWISE SPECIFIED.



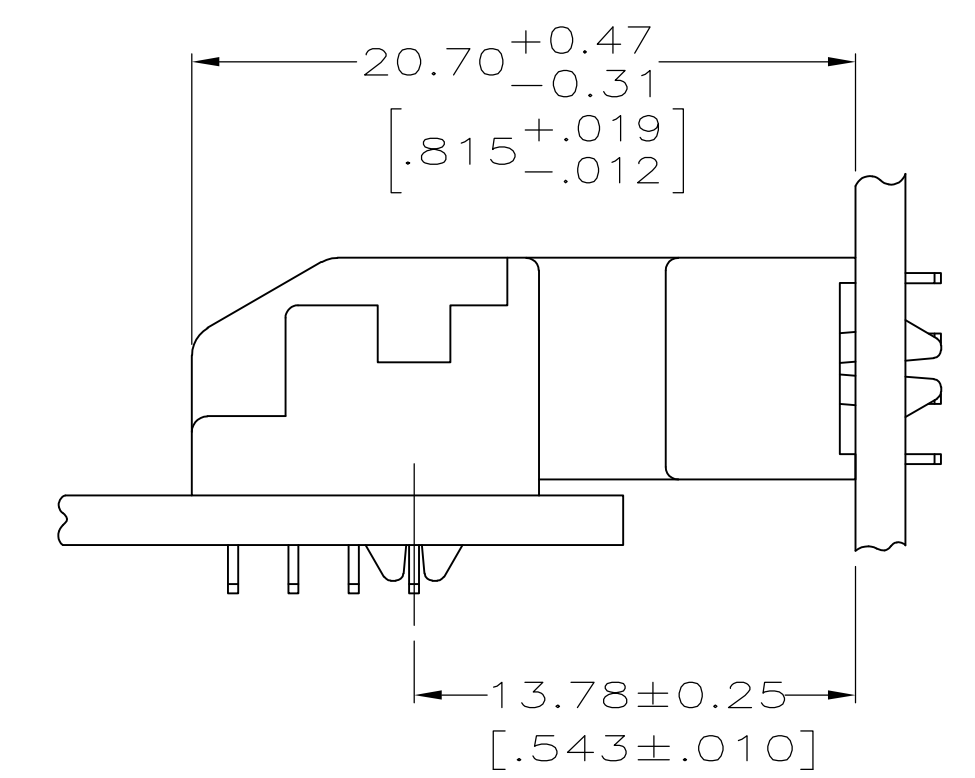
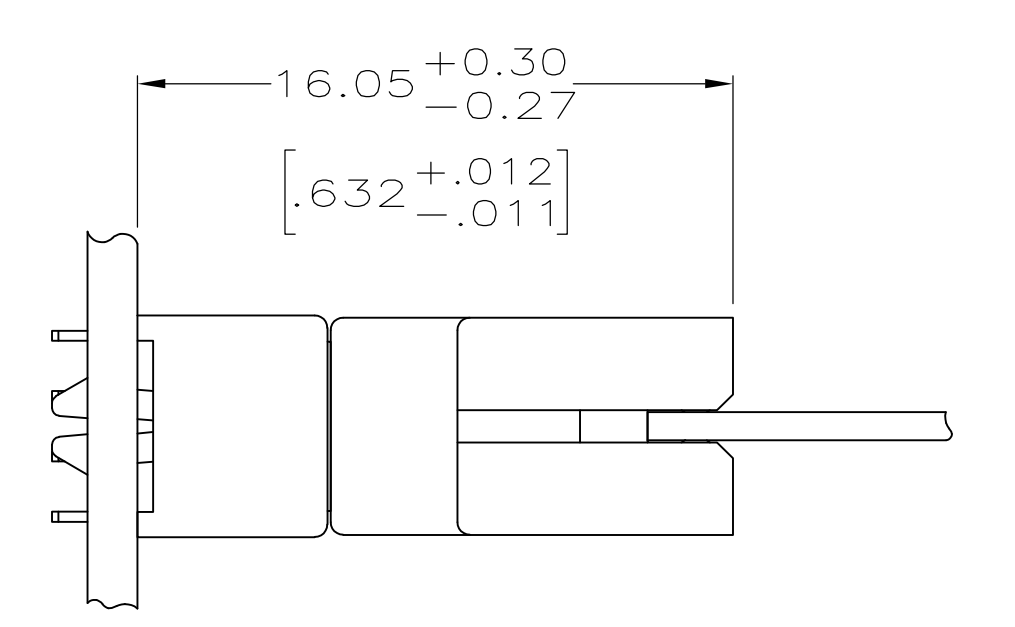
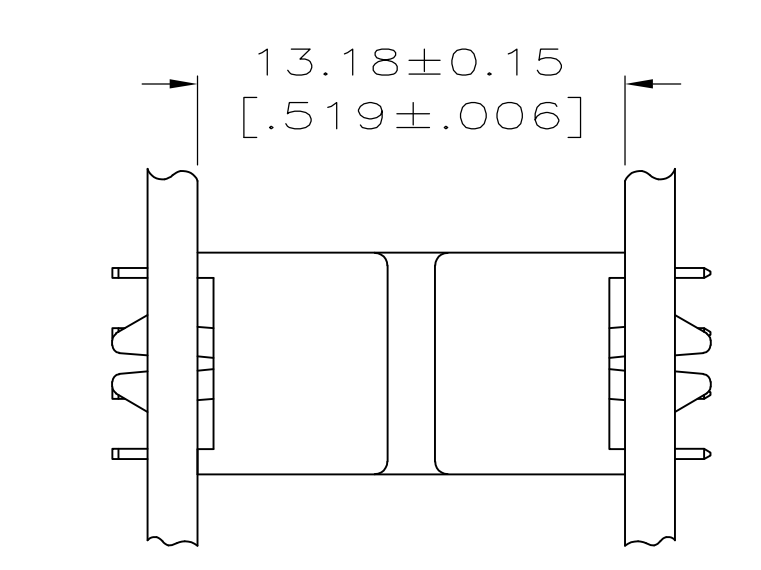
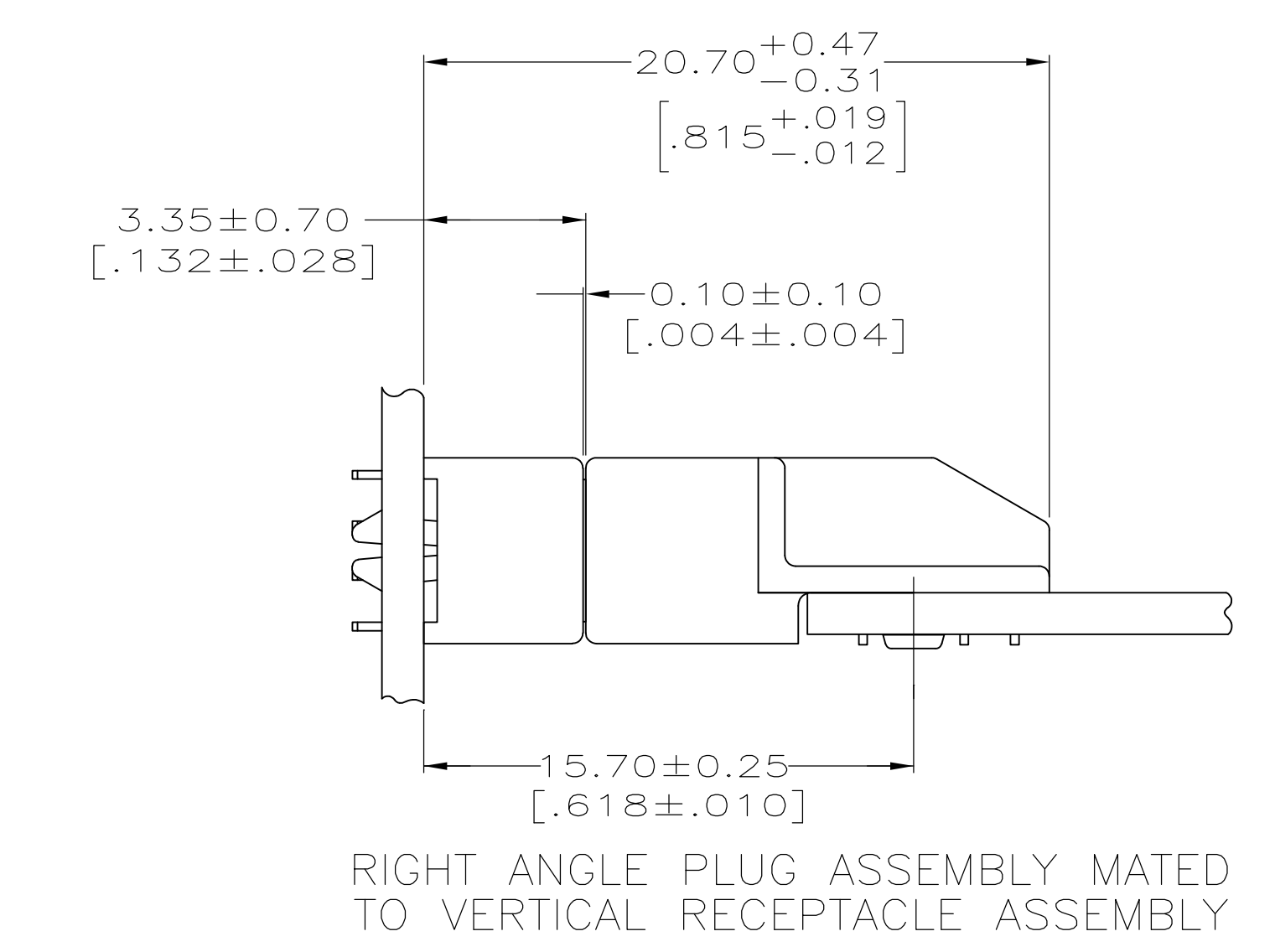
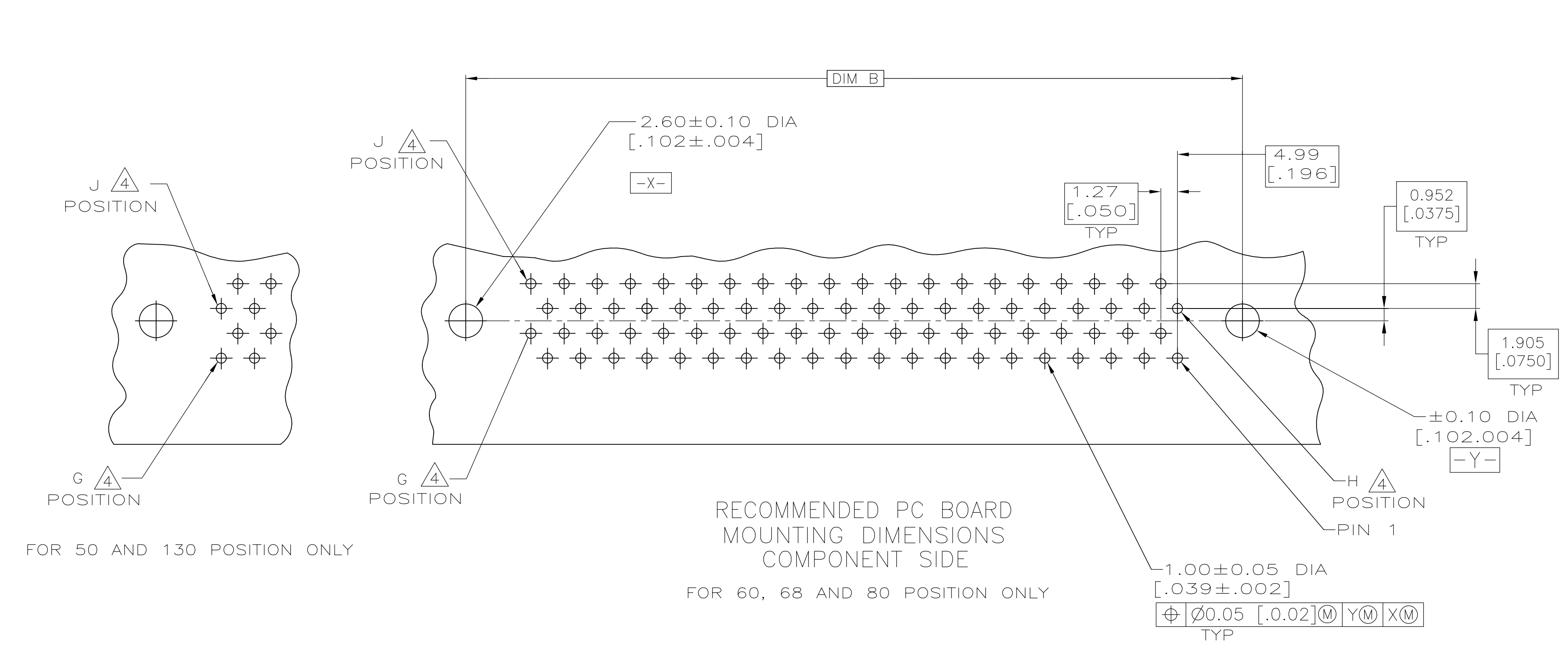
B1	OBsolete	130	66	65	93.90 [3.697]	91.26 [3.593]	86.82 [3.418]	△△	130	3-1734331-3
		80	41		62.22 [2.450]	59.51 [2.343]	55.07 [2.168]	△△	80	2-1734331-1
		68	35		54.57 [2.148]	51.89 [2.043]	47.45 [1.868]	△△	68	1-1734331-7
B1	OBsolete	50	26	25	43.10 [1.697]	40.46 [1.593]	36.02 [1.418]	△△	50	1734331-9
		J △	H △	G △	C	B	A	FINISH	POSTION	PART NUMBER

THIS DRAWING IS A CONTROLLED DOCUMENT.

DIMENSIONS: mm	TOLERANCES UNLESS OTHERWISE SPECIFIED:	DWN 0. HU 06JUN2006	TE Connectivity RECEPTACLE ASSEMBLY, V/T, BOARD-TO-BOARD, .050 SERIES I, CHAMP*
0 PLC ± -	1 PLC ± -	CHK S. HOU 06JUN2006	
2 PLC ± - △	3 PLC ± -	APVD W.J. KE 06JUN2006	
4 PLC ± -	ANGLES ± -	NAME	
MATERIAL SEE NOTE	FINISH SEE NOTE	PRODUCT SPEC 108-57876	SIZE A3
		APPLICATION SPEC	CAGE CODE 00779
		WEIGHT -	DRAWING NO C=1734331
		CUSTOMER DRAWING	RESTRICTED TO -
		SCALE -	SHEET 1 OF 3
			REV B1

THIS DRAWING IS UNPUBLISHED. RELEASED FOR PUBLICATION
 © COPYRIGHT 2011 BY TYCO ELECTRONICS CORPORATION. ALL RIGHTS RESERVED.

LOC		DIST		REVISIONS				
P	LTR	DESCRIPTION			DATE	DWN	APVD	
		SEE SHEET 1.						



THIS DRAWING IS A CONTROLLED DOCUMENT.		DWN		TE Connectivity	
DIMENSIONS: mm		CHK			
TOLERANCES UNLESS OTHERWISE SPECIFIED:		APVD		NAME	
0 PLC ± - 1 PLC ± - 2 PLC ± - 3 PLC ± - 4 PLC ± - ANGLES ± -		PRODUCT SPEC		RECEPTACLE ASSEMBLY, V/T, BOARD-TO-BOARD, .050 SERIES I, CHAMP*	
MATERIAL		FINISH		SIZE	
				CAGE CODE	
				DRAWING NO	
				RESTRICTED TO	
				A300779 C=1734331	
				SCALE	
				SHEET 2 OF 3	
				REV B1	

THIS DRAWING IS UNPUBLISHED. RELEASED FOR PUBLICATION
 © COPYRIGHT 2011 BY TYCO ELECTRONICS CORPORATION. ALL RIGHTS RESERVED.

LOC DW
 DIST

REVISIONS				
P	LTR	DESCRIPTION	DATE	APVD
		SEE SHEET 1.		

D

D

C

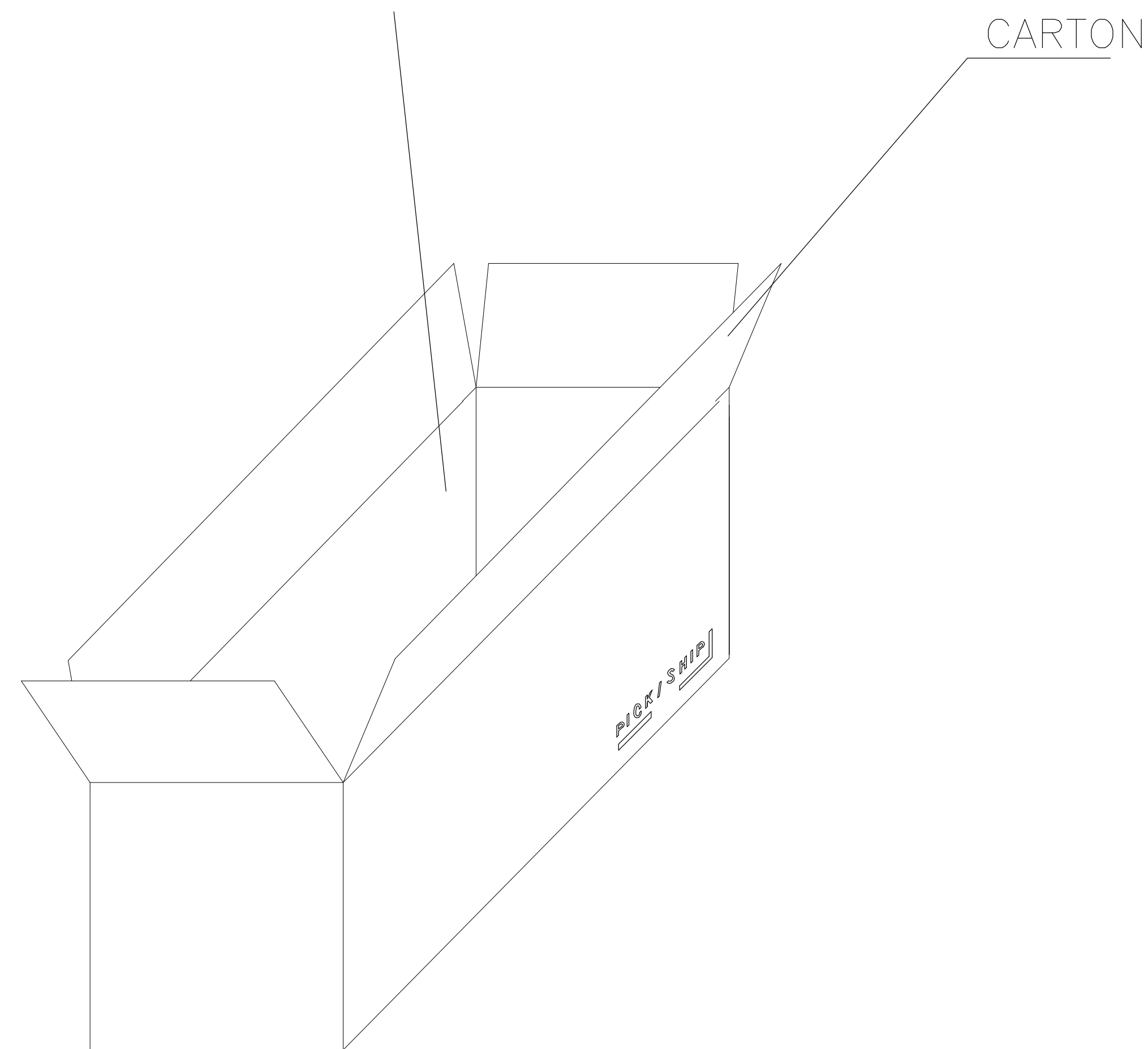
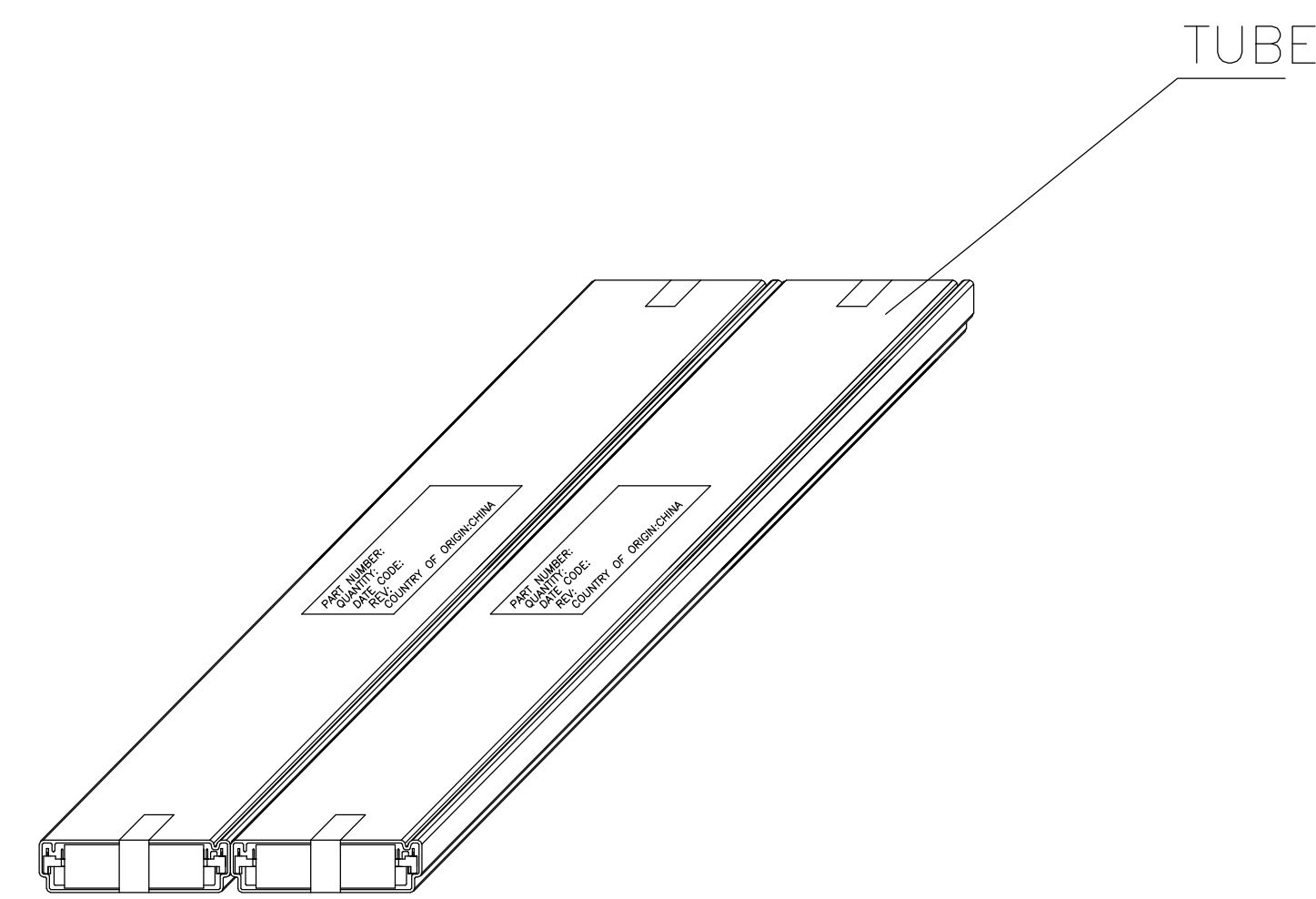
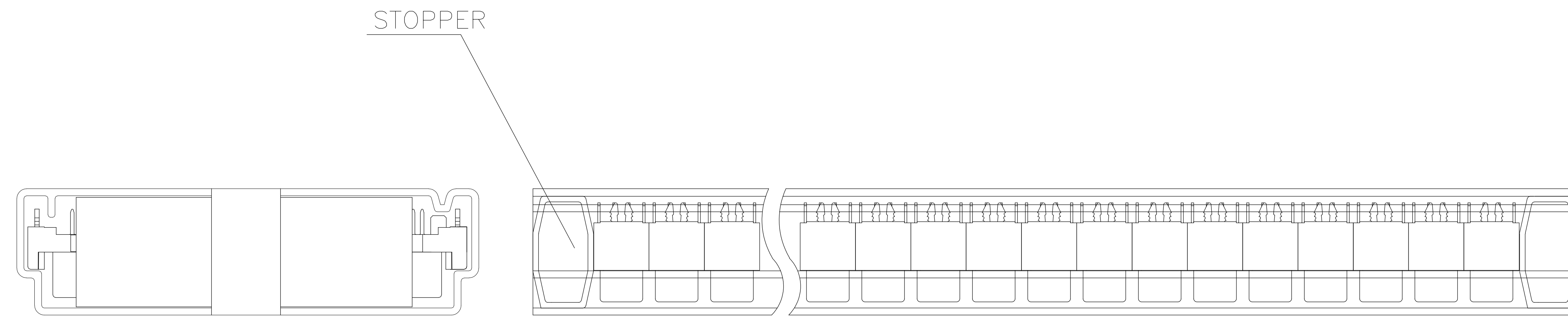
C

B

B

A

A



① OBSOLETE	4.74	3.55	54	8	432	3-1734331-3	130
	6.13	4.65	54	16	864	2-1734331-1	80
① OBSOLETE	5.01	3.52	54	16	864	1-1734331-7	68
	5.79	4.15	54	24	1296	1734331-9	50
	G.W./CARTON (KG)	N.W./CARTON (KG)	PCS/TUBE	TUBES/CARTON	QUANTITY/CARTON (PCS)	PART NUMBER	POS.

THIS DRAWING IS A CONTROLLED DOCUMENT.		DWN	TE Connectivity RECEPTACLE ASSEMBLY, V/T, BOARD-TO-BOARD, .050 SERIES I, CHAMP*				
DIMENSIONS: mm		CHK					
		APVD					
TOLERANCES UNLESS OTHERWISE SPECIFIED:		PRODUCT SPEC	NAME				
0 PLC ± -		APPLICATION SPEC	SIZE		CAGE CODE	DRAWING NO	RESTRICTED TO
1 PLC ± -		WEIGHT	A3		00779	C-1734331	-
2 PLC ± -		CUSTOMER DRAWING	SCALE		SHEET	REV	
3 PLC ± -			-		3 OF 3	B1	
4 PLC ± -							
ANGLES ± -							
FINISH							
MATERIAL							