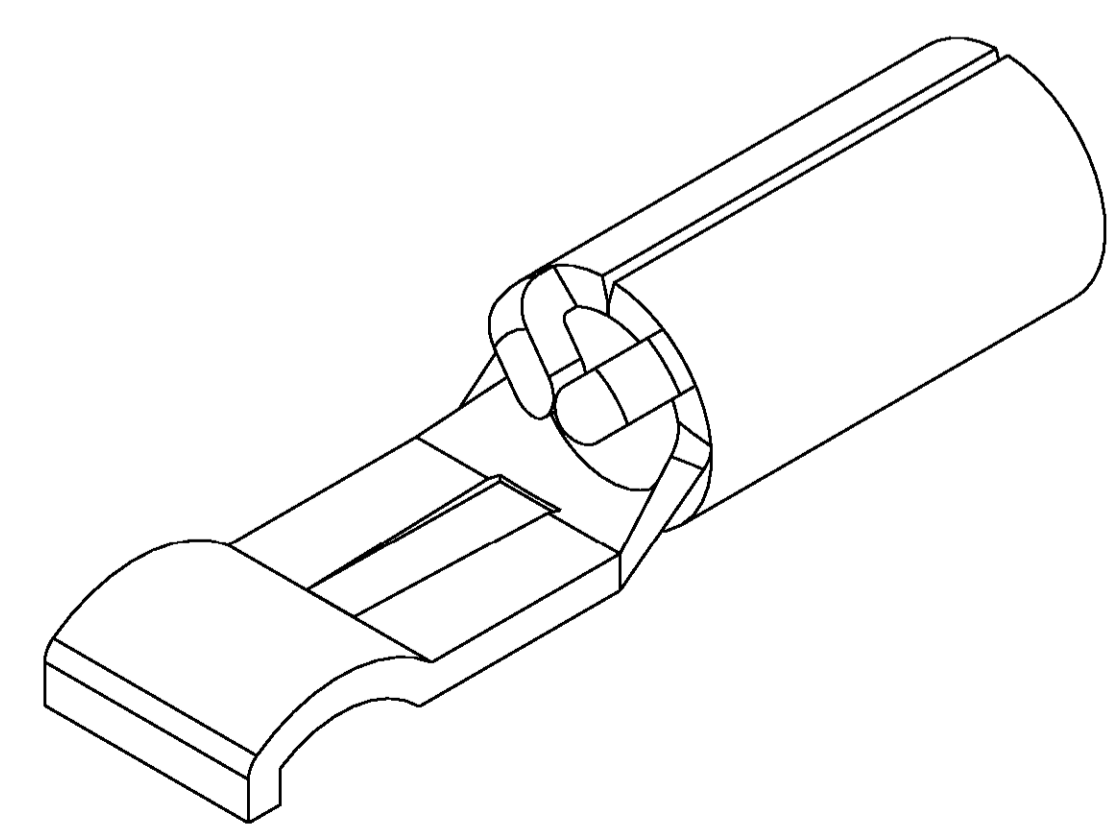
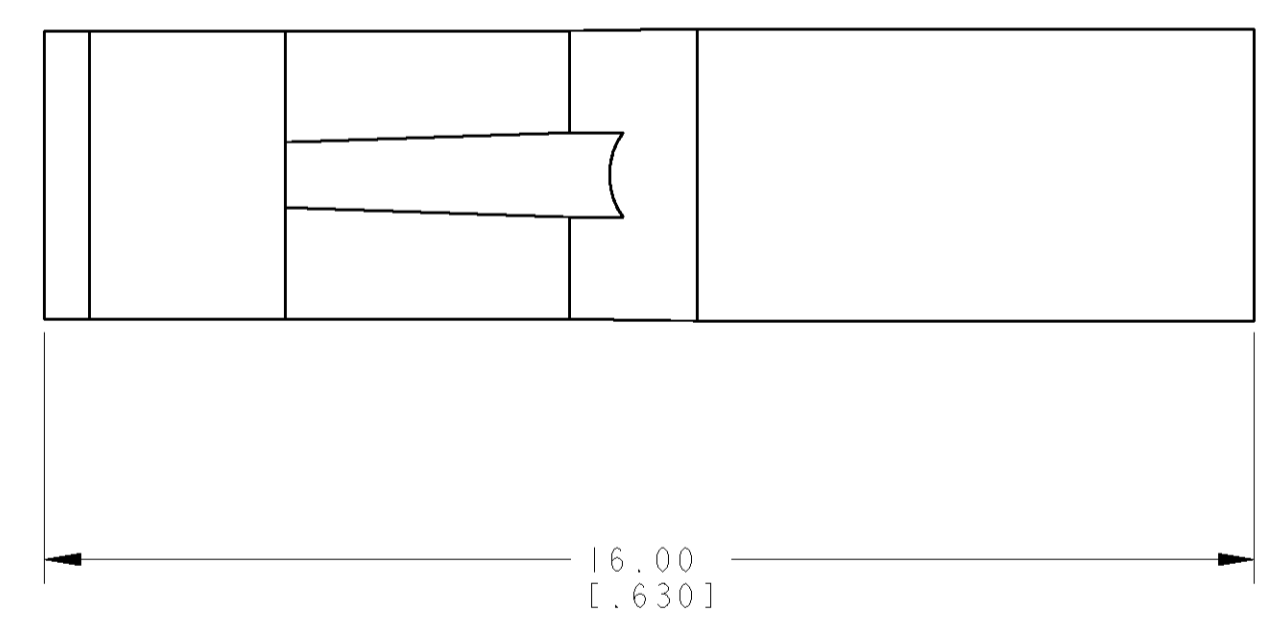
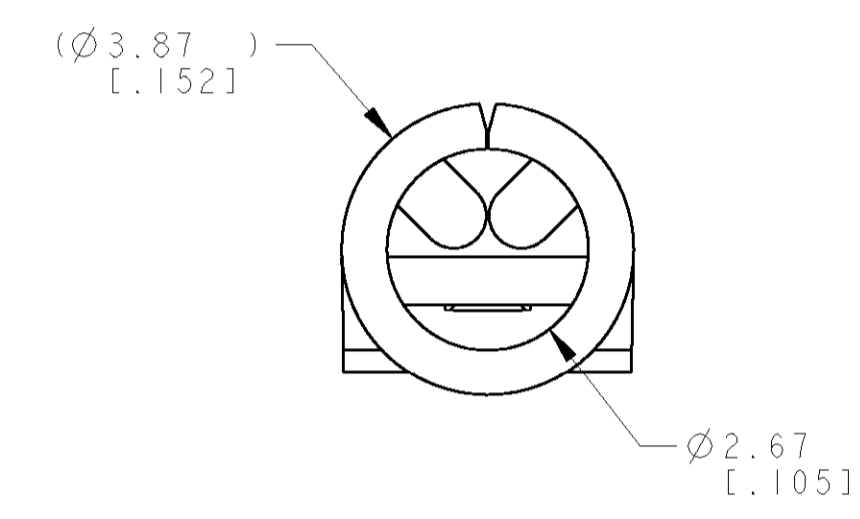
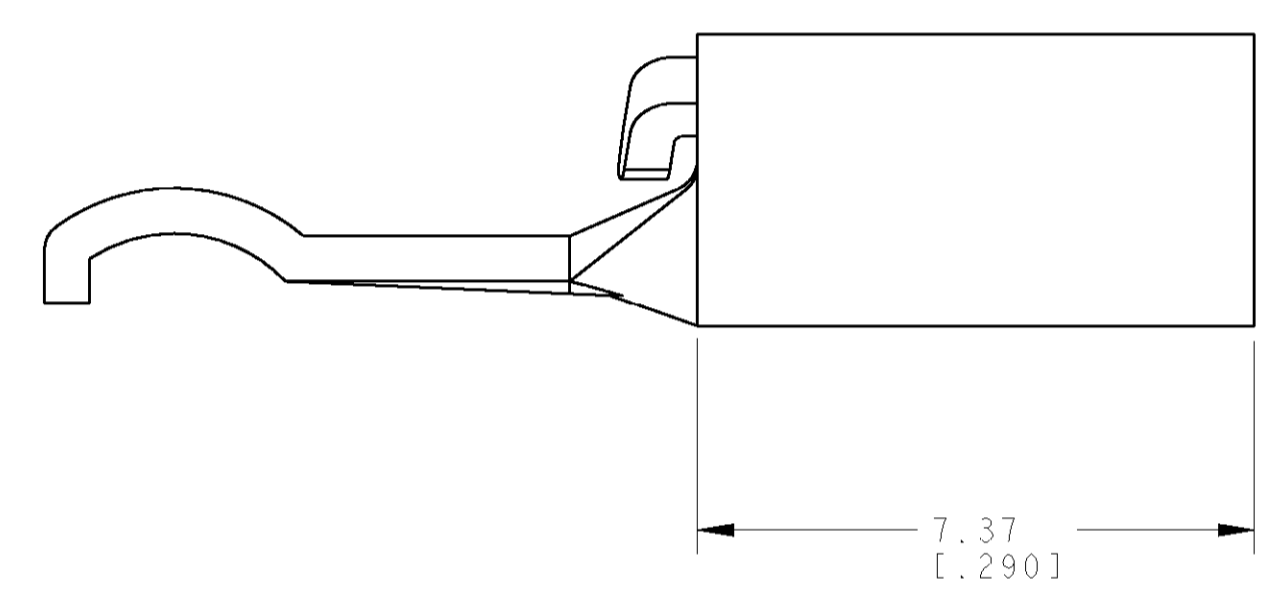
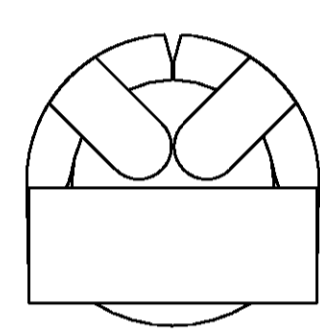
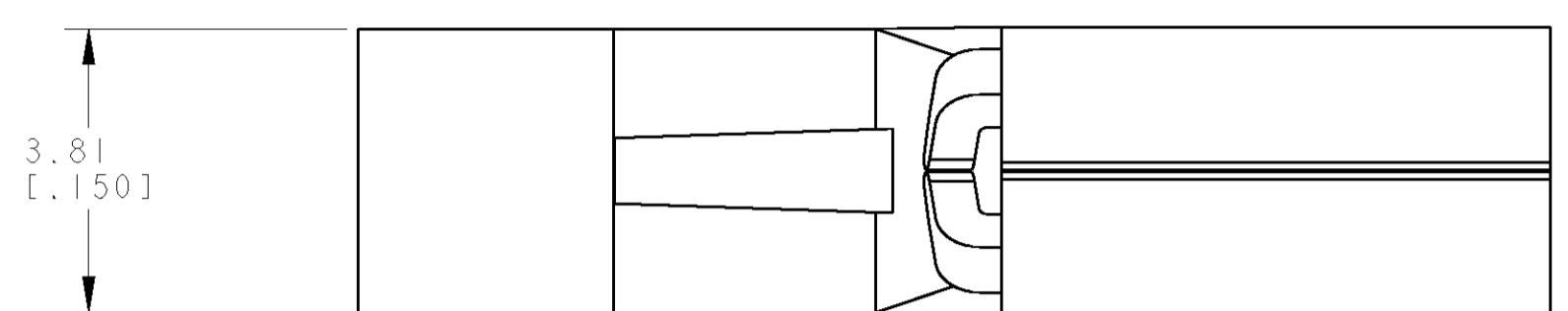


LOC		DIST		REVISIONS			
CM	00	P	LTR	DESCRIPTION	DATE	DWN	APVD
		0		REVISED PER 0638-1032-04	10NOV04	KW	JE



METRIC

1744041-1
PART NUMBER

<small>THIS DRAWING IS UNPUBLISHED. RELEASED FOR PUBLICATION BY TYCO ELECTRONICS CORPORATION. ALL RIGHTS RESERVED.</small>		DWN B. WHITAKER 10NOV2004 CHK J. ELLIS 10NOV2004 APVD J. ELLIS 10NOV2004	tyco Tyco Electronics Harrisburg, PA 17105-3608
DIMENSIONS: mm [INCHES]	TOLERANCES UNLESS OTHERWISE SPECIFIED: 0 PLC ± .5 [.02] 1 PLC ±0.13 [.005] 2 PLC ± . 3 PLC ± . 4 PLC ± . ANGLES ± 40° 30'	NAME LOOSE PIECE CONTACT, 12 - 16 AWG, AMP POWER SERIES 30	SIZE CAGE CODE DRAWING NO A 00779 C-1744041
MATERIAL COPPER	FINISH SILVER	APPLICATION SPEC - WEIGHT - CUSTOMER DRAWING	RESTRICTED TO - SCALE 10:1 SHEET 1 OF 1 REV 0