



5.0 x 5.0 x 1.35 mm

AFS303.825E

RoHS/RoHS II Compliant

Moisture Sensitivity Level – MSL 1

FEATURES:

- Low Insertion Loss 3.0dB typical
- Compact SMD package 5.0 x 5.0 x 1.35mm
- Suitable for RoHS compliant reflow

APPLICATIONS:

- Automotive Electronics/Remote Control

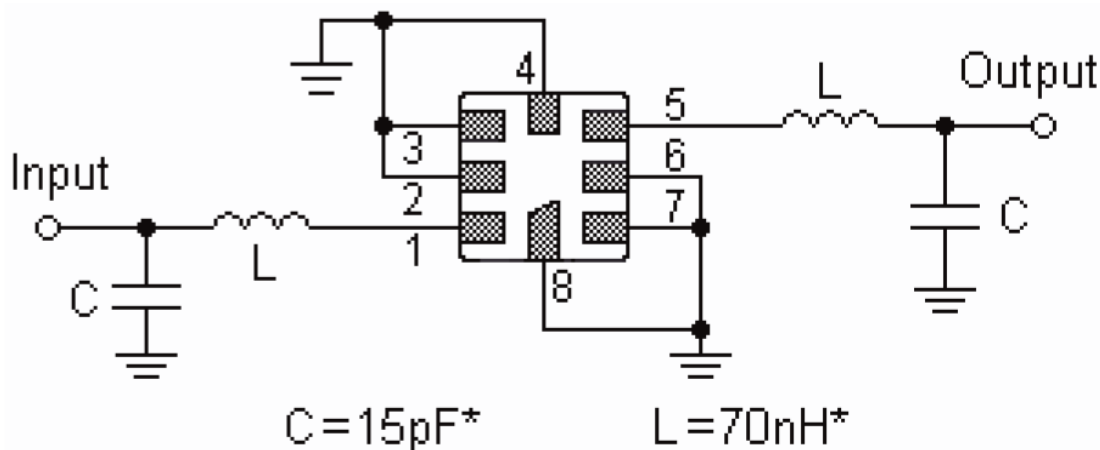
STANDARD SPECIFICATIONS:

Maximum Ratings

Item	Value
Operating Temperature Range	-10°C to + 60°C
Storage Temperature Range	-40°C to + 85°C
DC Voltage	12V
Input Power Level	10dBm

Parameters	Minimum	Typical	Maximum	Units	Notes
Center Frequency (f_c)		303.825		MHz	
3dB Pass Band (BW_3)		600	900	kHz	
Insertion Loss (IL)		3.0	4.5	dB	
Rejection	40	50		dB	at 282.425 MHz (Image)
	20	30			at 293.125 (LO)
		60			Ultimate
Temperature	Turnover Temperature (T_o)	25		55	°C
	Turnover Frequency (f_o)		303.825		MHz
	Frequency Temperature Coefficient (FTC)		0.032		ppm/°C ²
Frequency Aging fA		10		ppm/yr	Absolute value during the first year

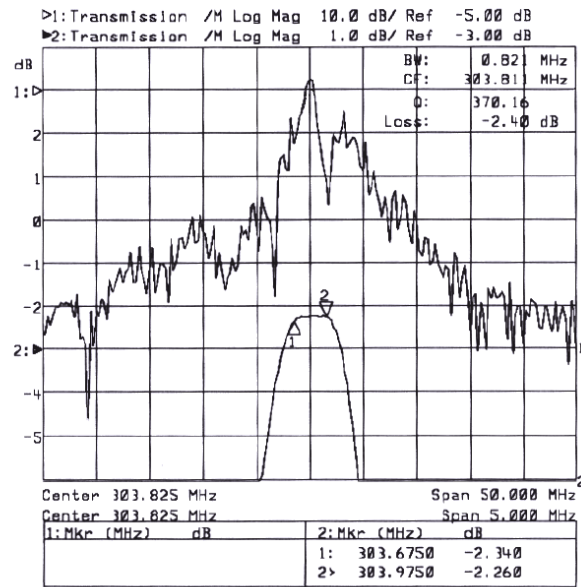
TEST CIRCUIT:



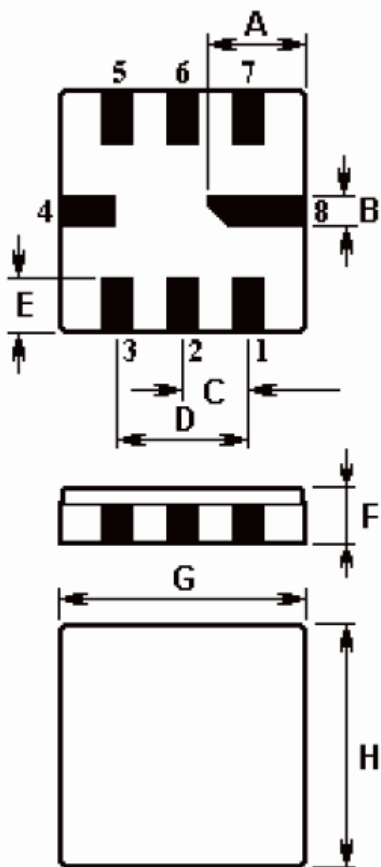


5.0 x 5.0 x 1.35 mm

FREQUENCY CHARACTERISTICS



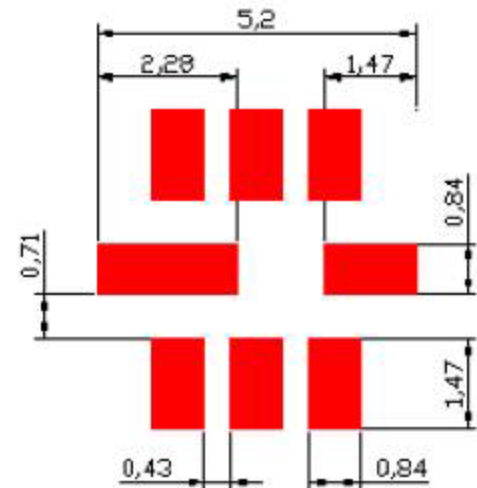
OUTLINE DIMENSION:



A	2.08
B	0.60
C	1.27
D	2.54
E	1.20
F	1.35
G	5.00
H	5.00

1	Input
2	Input Ground
5	Output
6	Output Ground
3, 7	to be Grounded
4, 8	Case Ground

Recommended PCB Layout

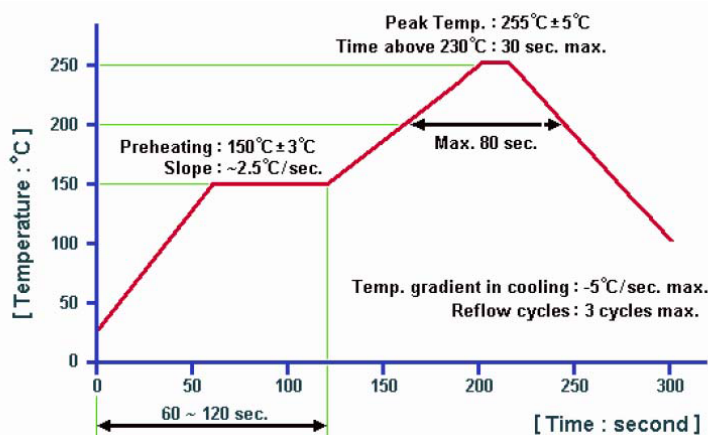


Dimensions: mm



5.0 x 5.0 x 1.35 mm

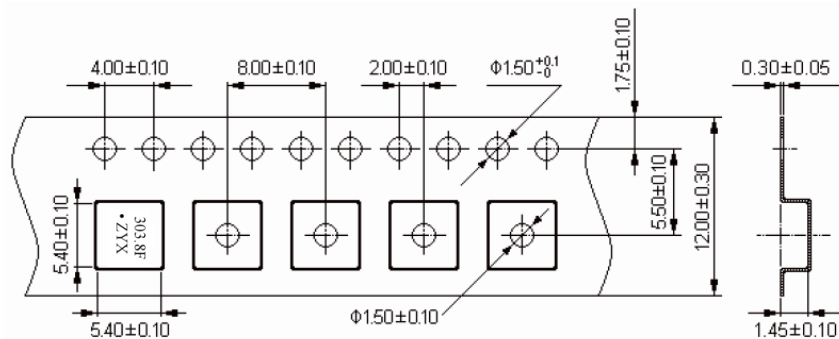
REFLOW PROFILE:



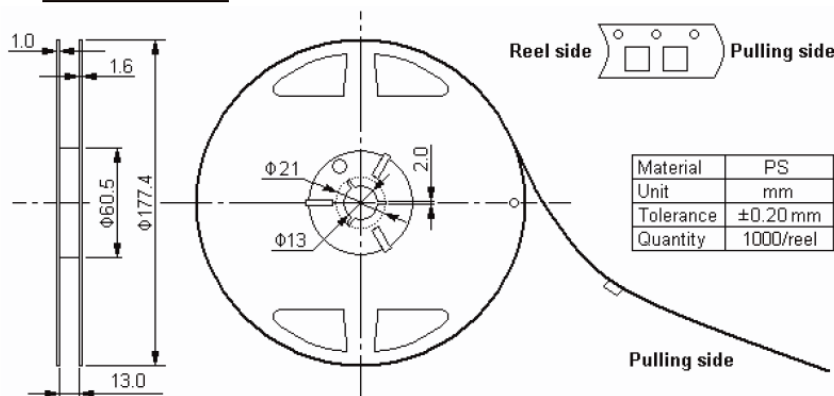
TAPE & REEL:

Packaging: 1,000pcs/reel

Carrier Tape



Reel Dimensions



Dimensions: mm

ATTENTION: Abracon Corporation's products are COTS – Commercial-Off-The-Shelf products; suitable for Commercial, Industrial and, where designated, Automotive Applications. Abracon's products are not specifically designed for Military, Aviation, Aerospace, Life-dependant Medical applications or any application requiring high reliability where component failure could result in loss of life and/or property. For applications requiring high reliability and/or presenting an extreme operating environment, written consent and authorization from Abracon Corporation is required. Please contact Abracon Corporation for more information.