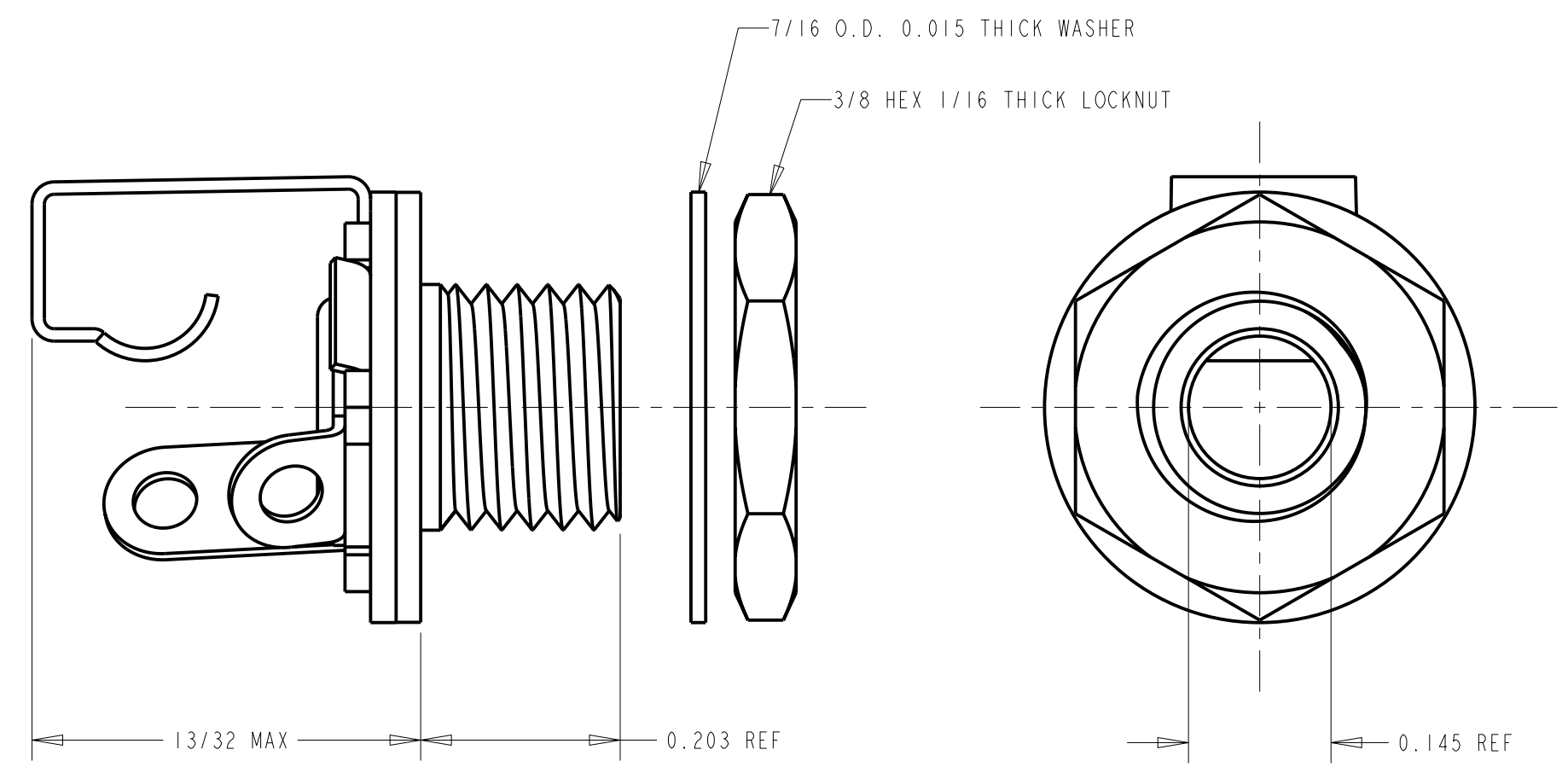
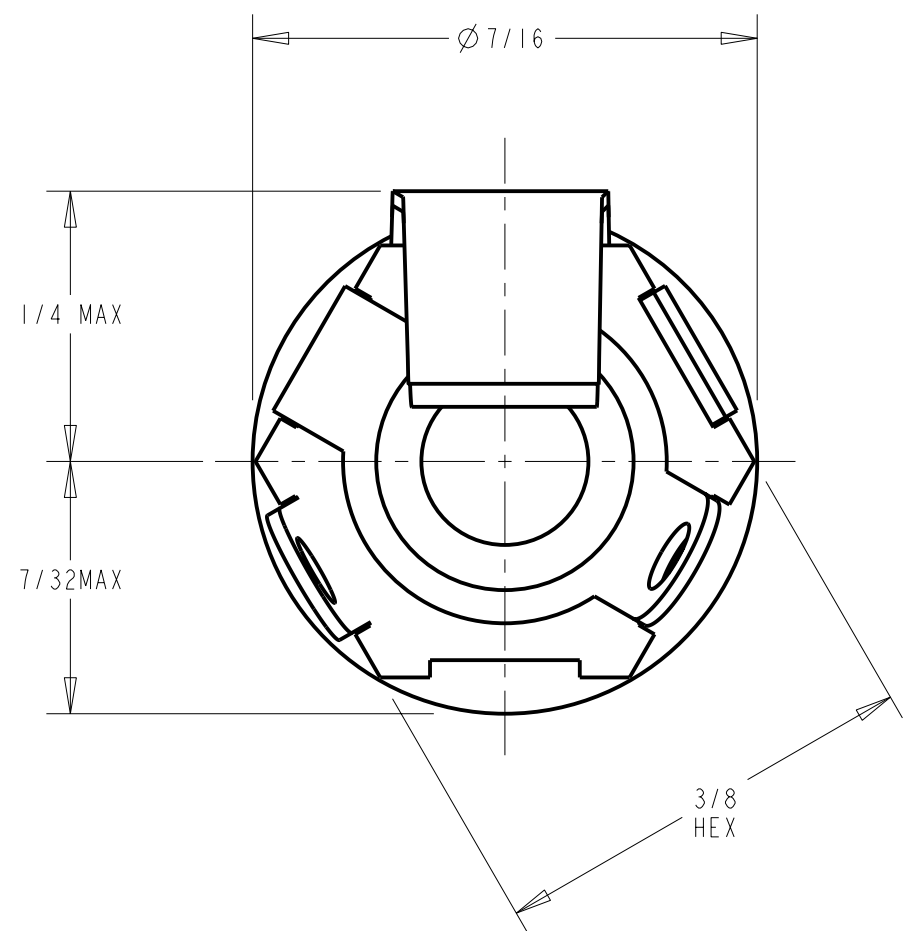
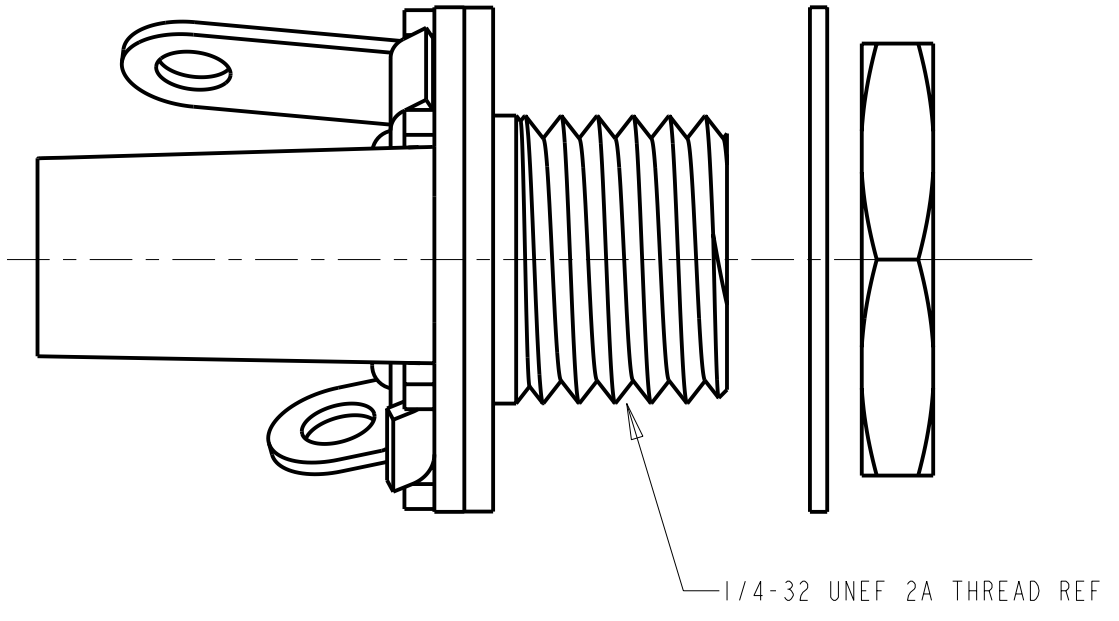
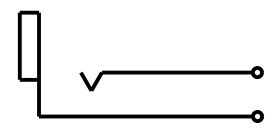


SCALE 4:1



SPECIFICATIONS:

- BUSHING - BRASS, NICKEL PLATED
- SPRING - NICKEL SILVER, SPRING TEMPERED
- SPACERS - PAPER BASE BAKELITE
- SLEEVE TERMINAL - BRASS, HOT TINNED
- WASHER - STEEL, NICKEL PLATED
- LOCKNUT - BRASS, NICKEL PLATED



SCHEMATIC CIRCUIT

CUSTOMER DRAWING

				★ STAR SYMBOL DENOTES CRITICAL DIMENSION		THIS DRAWING DESCRIBES A DESIGN CONSIDERED PROPRIETARY IN NATURE, DEVELOPED AND MANUFACTURED BY SWITCHCRAFT INC. AND IS RELEASED ON A CONFIDENTIAL BASIS FOR IDENTIFICATION PURPOSES ONLY.					
				UNLESS OTHERWISE SPECIFIED		SIZE	WIDTH	MULT	LBS/M	TEMPER	
				1. ALL DIMENSIONS IN INCHES		FINISH				MATERIAL	
				- TWO PLACE DECIMALS ±0.01		SPEC No.				SPEC No.	
				- THREE PLACE DECIMALS ±0.005		FIRST USED ON				SCALE	
				- FRACTIONAL DIMENSIONS ±1/64		4-14-64				4:1	
				- ANGLES ±1°		DATE DRAWN	BY	CHKD	APVD	<b>Switchcraft®</b>	
				- ALL DIA. CONCENTRIC WITHIN 0.005 T.I.R.		4-14-64	TRT	CJD	LG		
				2. FEATURES ON THE SAME CENTERLINE MUST BE ALIGNED WITHIN ±0.002		NAME				SHEET   OF	
				3. REMOVE ALL BURRS		TINI-JAX 2 COND.				REV	
				DO NOT SCALE DRAWING		PART No.				4   C	
REVISIONS											
C	REDRAWN WAS REV. B ECO #20875	7-15-97	MM	JF							