

THIS DRAWING IS UNPUBLISHED. RELEASED FOR PUBLICATION 2005  
 © COPYRIGHT 2005 BY TYCO ELECTRONICS CORPORATION. ALL RIGHTS RESERVED.

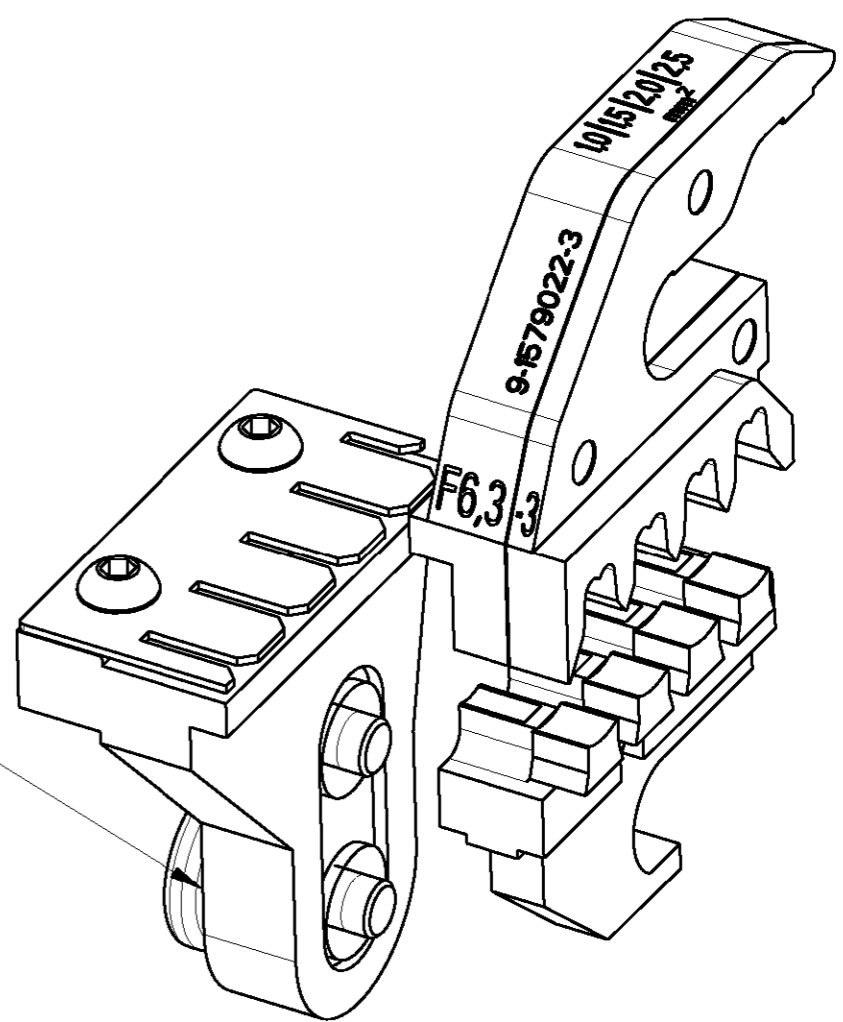
LOC	DIST	REVISIONS			
P	LTR	DESCRIPTION	DATE	DWN	APVD
A1	-				

CERTILOK DIE SET FOR FASTON 6.3 mm - WIRE RANGE 1,0-2,5 mm<sup>2</sup>  
 Certilok-Matrize fuer Faston 6.3 mm - Querschnittsbereich 1,0-2,5 mm<sup>2</sup>

Matrize in Kombination mit Certilok Basishandzange TE PN 169400 verwenden  
 Die set used in combination with Certilok basis hand tool TE PN 169400

Lieferumfang: Matrize mit Kontaktpositionierer TE PN 9-1579013-7 und Bedienungsanleitung 411-18465  
 Shipment: Die set with contact locator TE PN 9-1579013-7 and instruction sheet 411-18465

Kontaktpositionierer als Ersatzteil erhaeltlich (Siehe Zeichnung TE PN 9-1579013-7)  
 Contact locator available as spare part (see drawing TE PN 9-1579013-7)



Kontakt	DGB (mm <sup>2</sup> )	Drahtcrimp / Wire Crimp		Isolationscrimp/Insulationcrimp		Isol.Ø	Betriebsanl.
Contact	Wire Range	Hoehe/Height mm	Breite/Width mm	Hoehe/Height mm	Breite/Width mm	Ins.Range	Instr.Sheet
106942	1.0	1,52 ±0,05	2,79 F	-----	3,95 F	1,9-2,1	411-18465
160304	1.5	1,65 ±0,05		-----		2,2-2,4	
160814	2.0	1,78 ±0,05		-----		2,3-2,6	
181903	2.5	1,91 ±0,05		-----		2,7-3,0	

THIS DRAWING IS A CONTROLLED DOCUMENT FOR TYCO ELECTRONICS CORPORATION  
 IT IS SUBJECT TO CHANGE AND THE CONTROLLING ENGINEERING ORGANIZATION  
 SHOULD BE CONTACTED FOR THE LATEST REVISION.

DIMENSIONS: mm	TOLERANCES UNLESS OTHERWISE SPECIFIED: 0 PLC ± 1 PLC ± 2 PLC ± 3 PLC ± 4 PLC ± ANGLES ±°	DWN Ch.Witt 29JUN2007	tyco Electronics AMP GmbH D - 64625 Bensheim	
MATERIAL 1.2767	FINISH 48-52 HRC	CHK -	NAME DIE SET FOR FASTON 6.3 (1,0-2,5 mm <sup>2</sup> )	
		APVD -	PRODUCT SPEC -	RESTRICTED TO -
		APPLICATION SPEC -	WEIGHT 90 g	SIZE A3
		CUSTOMER DRAWING	SCALE 2:1	CAGE CODE 00779
			SHEET 1 OF 1	DRAWING NO C-9-1579022-3
			REV A	