

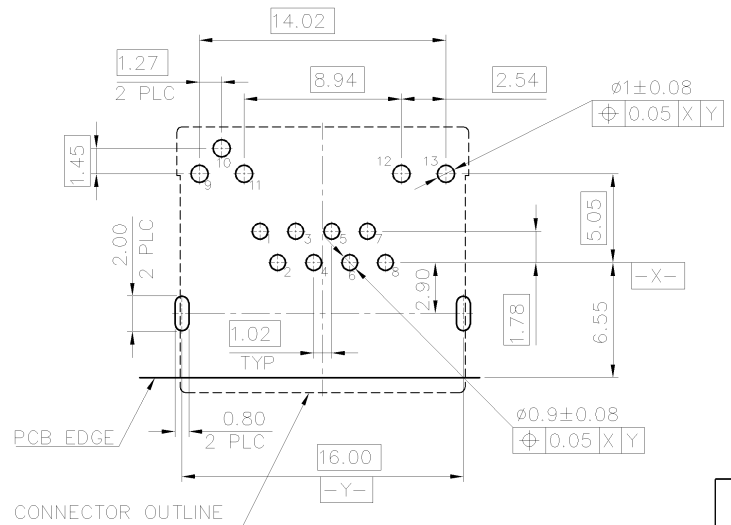
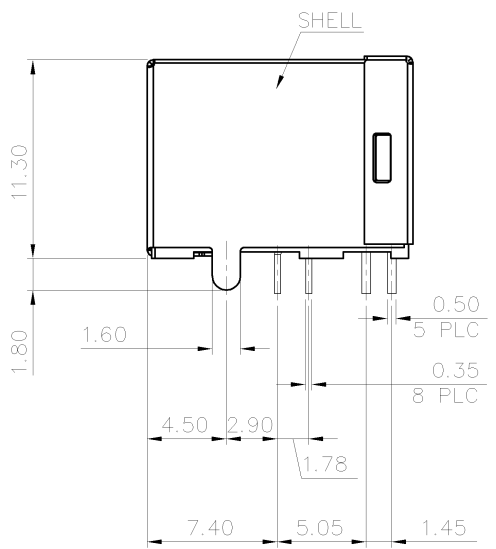
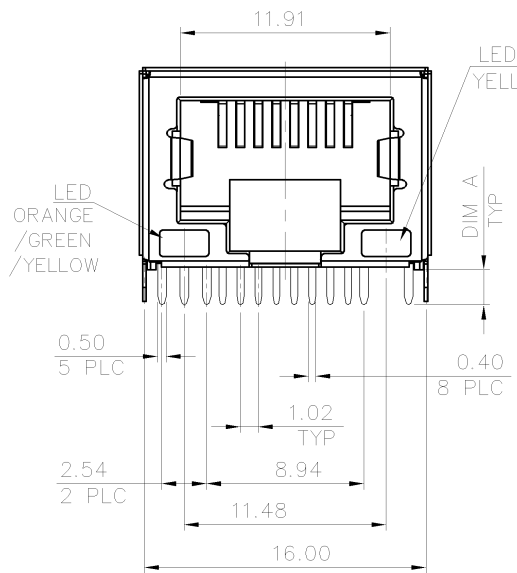
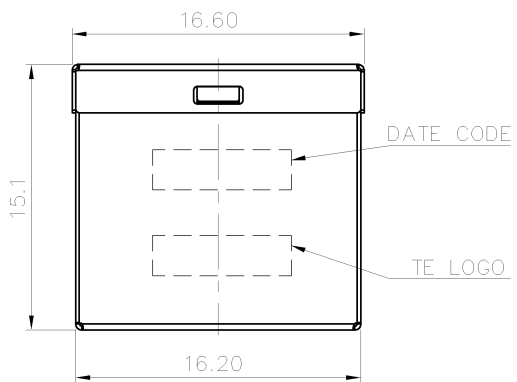
THIS DRAWING IS UNPUBLISHED. RELEASED FOR PUBLICATION  
 © COPYRIGHT - BY TYCO ELECTRONICS CORPORATION. ALL RIGHTS RESERVED.

LOC	DIST	REVISIONS					
DW	-	P	LTR	DESCRIPTION	DATE	DWN	APVD
		B1		REVISED (ECR-11-010707)	23MAY11	JL	WK

NOTE:

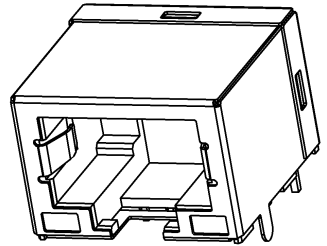
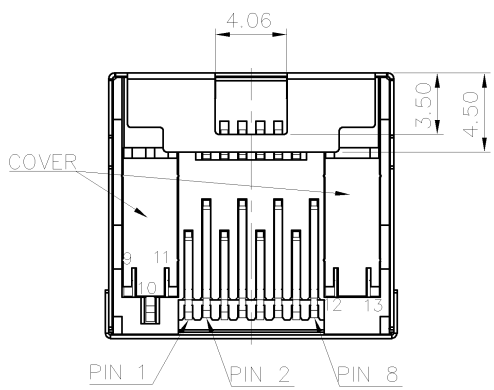
- MATERIAL:  
 HOUSING: PA9T WITH 33% GF, UL 94V-0, BLACK COLOR.  
 COVER: PA9T WITH 33% GF, UL 94V-0, BLACK COLOR.  
 CONTACTS: PHOSPHOR BRONZE.  
 SHELL: BRASS.  
 LED LEADS: BRASS.
- FINISH:  
 CONTACTS: (SEE TABLE) GOLD PLATED ON CONTACT AREA, 2.03µm [80µ"] MIN.  
 MATTE-TIN ON SOLDER TAIL, WITH ENTIRE CONTACT UNDERPLATED  
 1.27µm [50µ"] MIN. NICKEL.  
 SHELL: 1.27µm [50µ"] MIN. NICKEL PLATED.  
 LED LEADS: 1.27µm [50µ"] MIN. SILVER PLATED.
- REFLOW SOLDER CAPABLE TO 260°C PER TE TEST SPEC. 109-201, CONDITION B.

NODE	COLOR		
9(-) 10(+)	ORANGE		
11(-) 10(+)	GREEN		
9(-) 11(-)	YELLOW	10	
12(+)	13(-)	YELLOW	12 -> 13



THICKNESS: 1.2mm  
 RECOMMENDED PCB LAYOUT

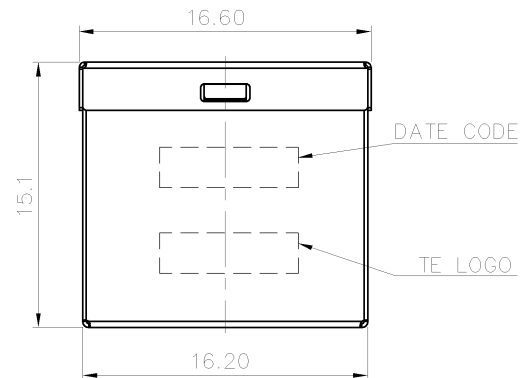
2.00	0.762µm [30µ"]	1775553-3
	0.381µm [15µ"]	1775553-2
	GOLD FLASH	1775553-1
DIM A	MIN. GOLD THICKNESS	PART NUMBER



THIS DRAWING IS A CONTROLLED DOCUMENT.		DWN	A. WU	24MAR2008	 TE Connectivity								
DIMENSIONS: MM		CHK	S. HOU	24MAR2008									
TOLERANCES UNLESS OTHERWISE SPECIFIED:		APVD	W. KODAMA	24MAR2008									
0 PLC ± 0.5 1 PLC ± 0.38 2 PLC ± 0.25 3 PLC ± 0.1 4 PLC ± 0.1 ANGLES ± 3°		PRODUCT SPEC	NAME 108-57660 QUALIFICATION TEST REPORT 501-57765										
MATERIAL	FINISH	WEIGHT	3.96 GRAMS		SIZE	A3	CAGE CODE	00779	DRAWING NO	C=1775553		RESTRICTED TO	-
SEE NOTE	SEE NOTE	CUSTOMER DRAWING		SCALE	-	SHEET	1 OF 3		REV	B1			

THIS DRAWING IS UNPUBLISHED. RELEASED FOR PUBLICATION  
© COPYRIGHT BY TYCO ELECTRONICS CORPORATION. ALL RIGHTS RESERVED.

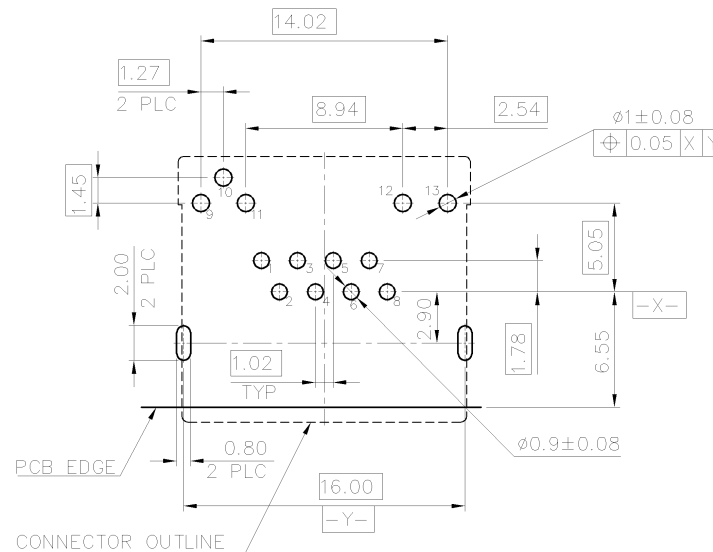
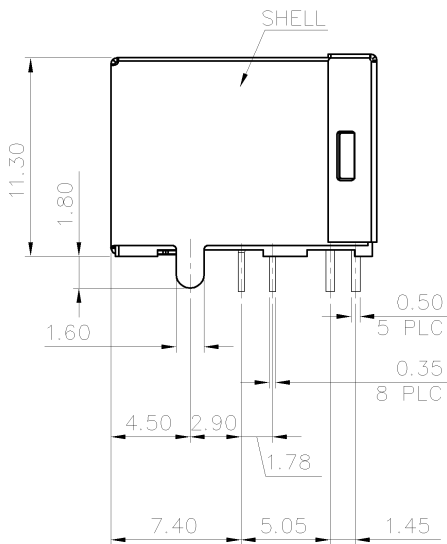
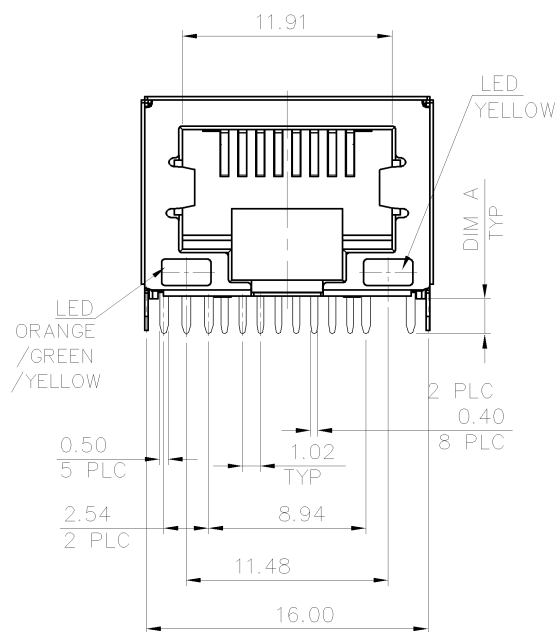
LOC	DIST	REVISIONS		
DW	-	P	LTR	DESCRIPTION
				DATE
				DWN
				APVD
		SEE SHEET 1		



NOTE:

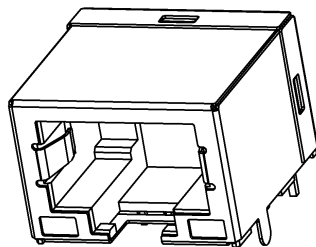
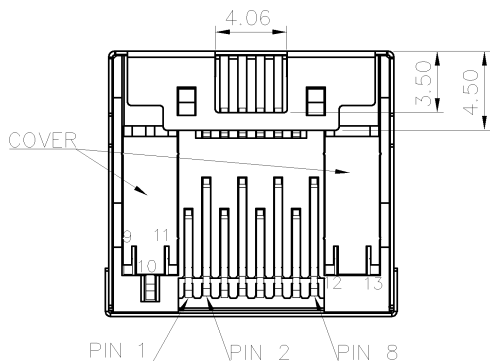
- MATERIAL:  
HOUSING: PA9T WITH 33% GF, UL 94V-0, BLACK COLOR.  
COVER: PA9T WITH 33% GF, UL 94V-0, BLACK COLOR.  
CONTACTS: PHOSPHOR BRONZE.  
SHELL: BRASS.  
LED LEADS: BRASS.
- FINISH:  
CONTACTS: (SEE TABLE) GOLD PLATED ON CONTACT AREA, 2.03µm [80µ"] MIN.  
MATTE-TIN ON SOLDER TAIL, WITH ENTIRE CONTACT UNDERPLATED  
1.27µm [50µ"] MIN. NICKEL.  
SHELL: 1.27µm [50µ"] MIN. NICKEL PLATED.  
LED LEADS: 1.27µm [50µ"] MIN. SILVER PLATED.
- REFLOW SOLDER CAPABLE TO 260°C PER TE TEST SPEC. 109-201, CONDITION B.

LED ELECTRICAL CHARACTERISTIC			
NODE	COLOR		
9(-) 10(+)	ORANGE		
11(-) 10(+)	GREEN		
9(-) 10(+)	YELLOW		
11(-) 10(+)	YELLOW		
12(+)	13(-)	YELLOW	



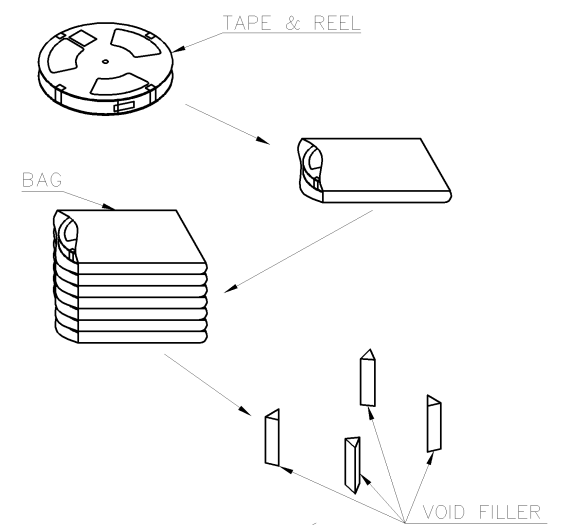
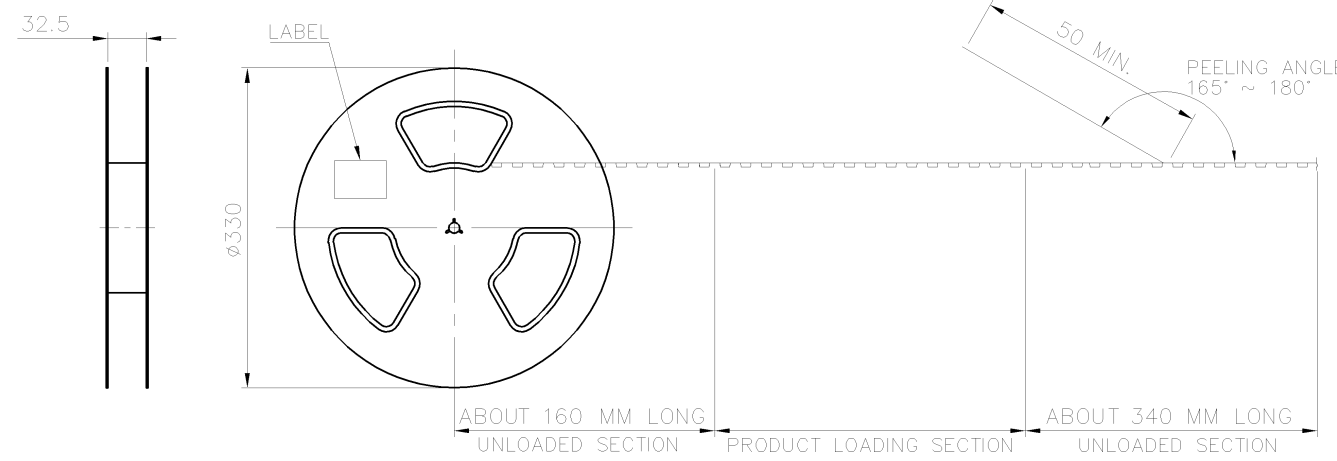
TOLERANCE: ±0.05, THICKNESS: 1.2  
RECOMMENDED PCB LAYOUT  
(TOP VIEW)

1.40	GOLD FLASH	1-177553-1
DIM A	MIN. GOLD THICKNESS	PART NUMBER



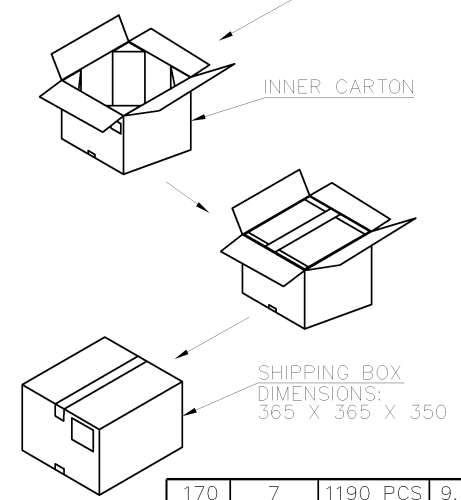
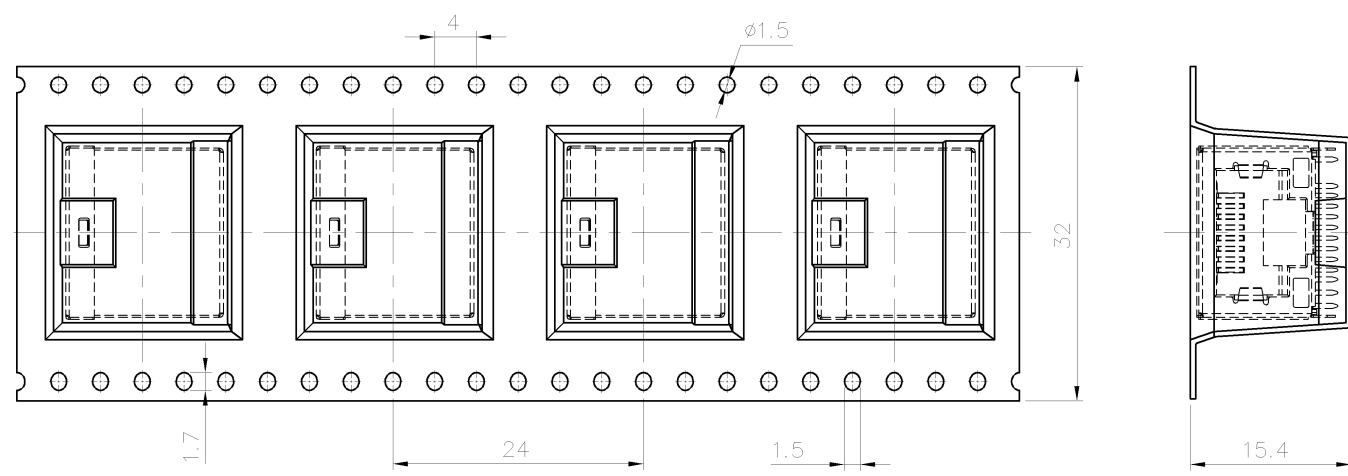
THIS DRAWING IS A CONTROLLED DOCUMENT.		DWN	24MAR2008	<b>TE Connectivity</b>	
DIMENSIONS: MM		A. WU	24MAR2008		
TOLERANCES UNLESS OTHERWISE SPECIFIED:		CHK	S. HOU		
		APVD	W. KODAMA		
MATERIAL		PRODUCT SPEC		NAME	
FINISH		QUALIFICATION TEST REPORT		MODULAR JACK ASSEMBLY, 1X1, SHIELDED, LED, TAB DOWN	
SEE NOTE		WEIGHT		SIZE	RESTRICTED TO
		CUSTOMER DRAWING		A3	
		SCALE		CAGE CODE	DRAWING NO
		SHEET		00779	©=177553
		REV		2 OF 3	B1

D



C

TOP OF TAPE



170	7	1190 PCS	9.3 KG	4.72 KG
PCS/TAPE	REELS/BOX	QUANTITY	GROSS WEIGHT	NET WEIGHT

A

NOTE:  
 1. PEELING STRENGTH: 0.1 ~ 1.3 N (10 ~ 130 GRAMS)  
 2. PEELING SPEED: 300 mm/min.

THIS DRAWING IS A CONTROLLED DOCUMENT.		DWN A. WU 24MAR2008												
DIMENSIONS: MM		CHK S. HOU 24MAR2008												
TOLERANCES UNLESS OTHERWISE SPECIFIED:		APVD W. KODAMA 24MAR2008												
<table border="1"> <tr><td>0 PLC</td><td>±</td></tr> <tr><td>1 PLC</td><td>-</td></tr> <tr><td>2 PLC</td><td>-</td></tr> <tr><td>3 PLC</td><td>-</td></tr> <tr><td>4 PLC</td><td>-</td></tr> <tr><td>ANGLES</td><td>±</td></tr> </table>		0 PLC			±	1 PLC	-	2 PLC	-	3 PLC	-	4 PLC	-	ANGLES
0 PLC	±													
1 PLC	-													
2 PLC	-													
3 PLC	-													
4 PLC	-													
ANGLES	±													
MATERIAL	FINISH	PRODUCT SPEC	MODULAR JACK ASSEMBLY, 1X1, SHIELDED, LED, TAB DOWN											
		APPLICATION SPEC	SIZE A3	CAGE CODE 00779	DRAWING NO C=1775553	RESTRICTED TO								
		WEIGHT	CUSTOMER DRAWING		SCALE	SHEET 3 OF 3	REV B1							