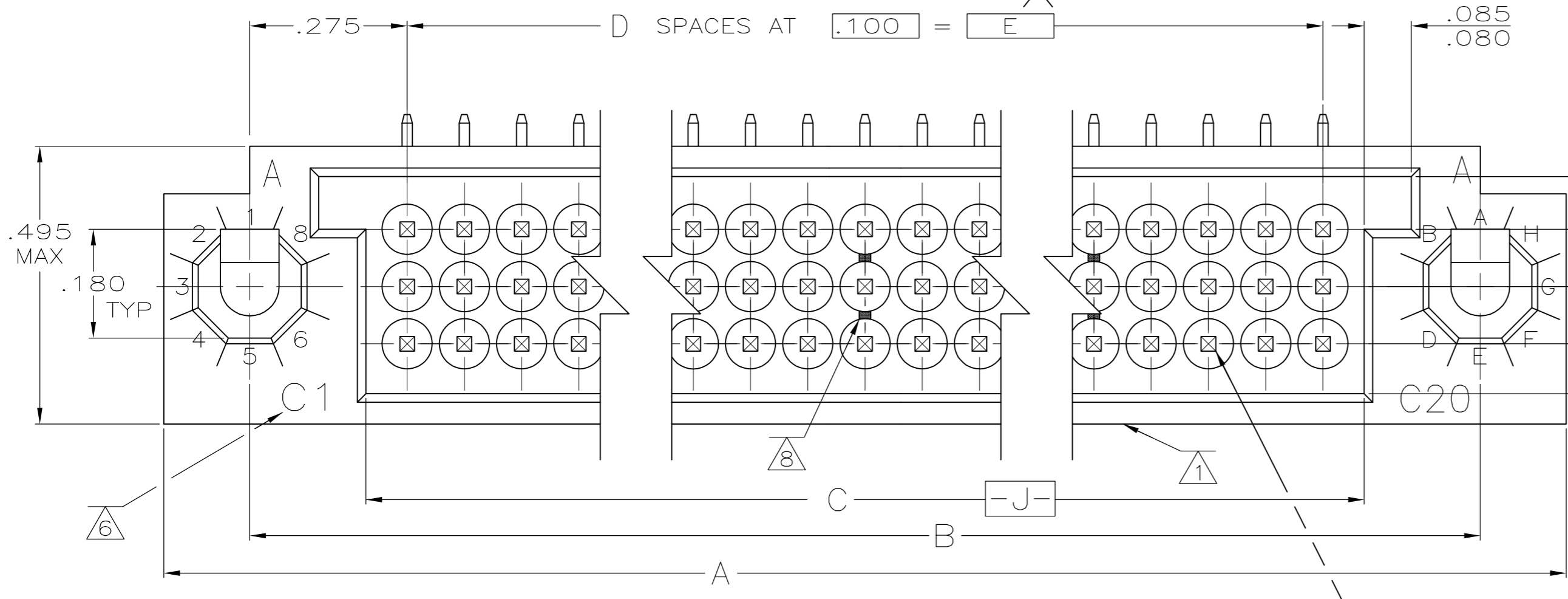
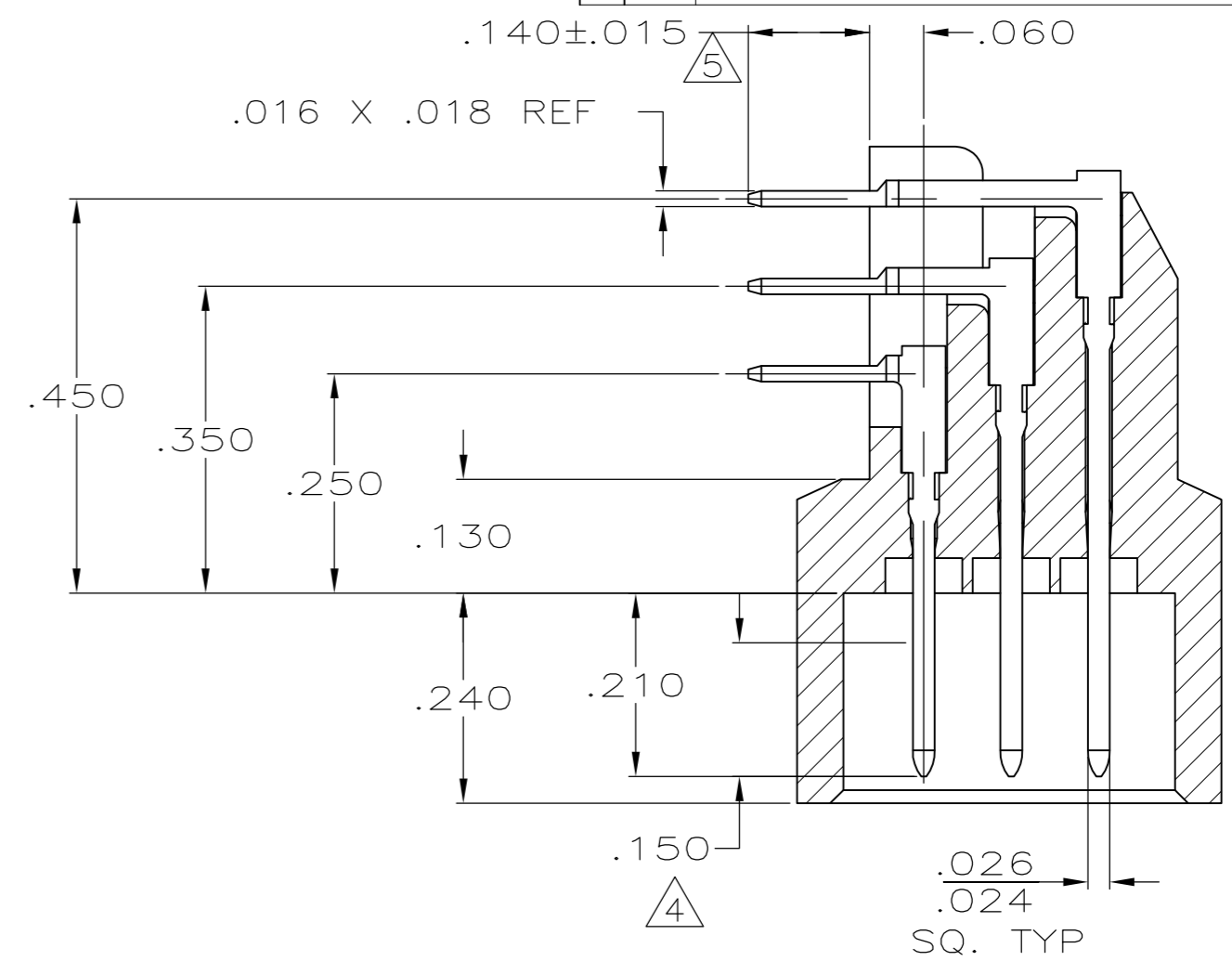
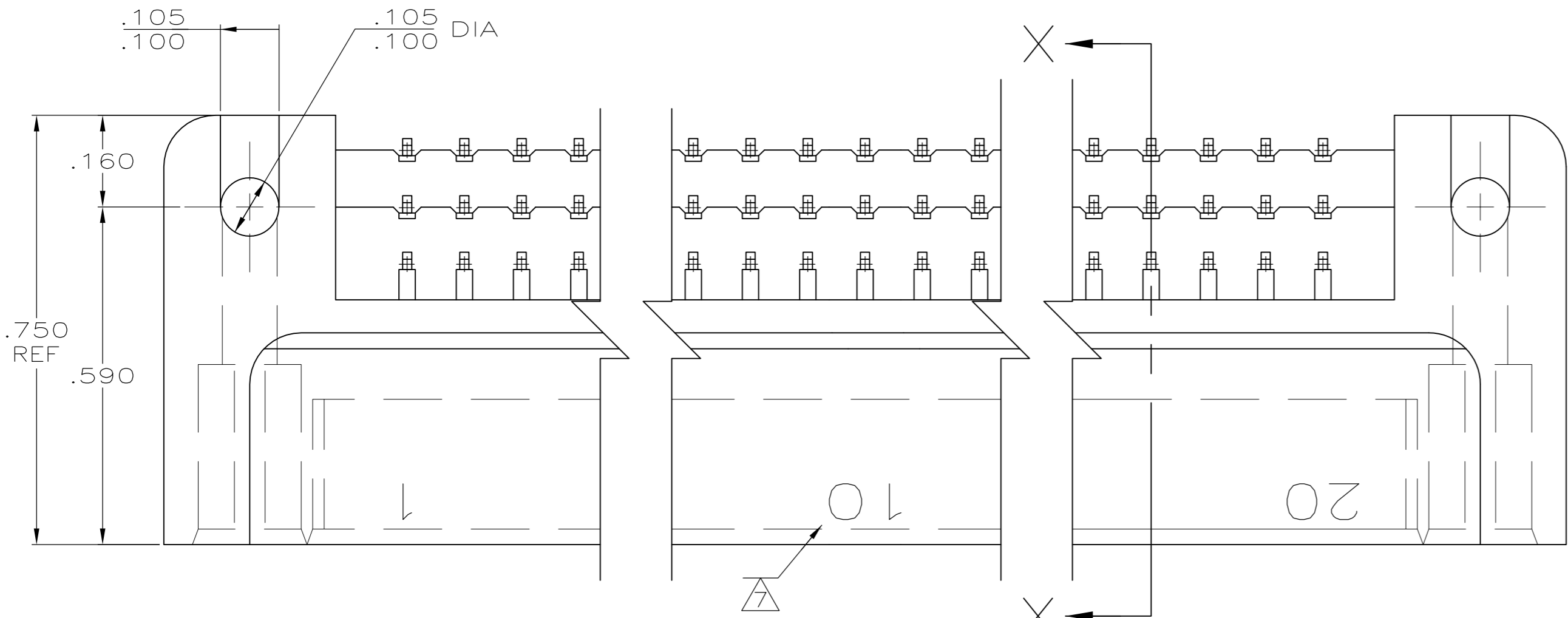


THIS DRAWING IS UNPUBLISHED. RELEASED FOR PUBLICATION
 © COPYRIGHT BY TYCO ELECTRONICS CORPORATION. ALL INTERNATIONAL RIGHTS RESERVED.

LOC	DIST	REVISIONS					
DF	F0	P	LTR	DESCRIPTION	DATE	DWN	APVD
		E		REV PER ECO-09-017640	21AUG09	PY	DM



⊕.006 (S) H (S) J (S)

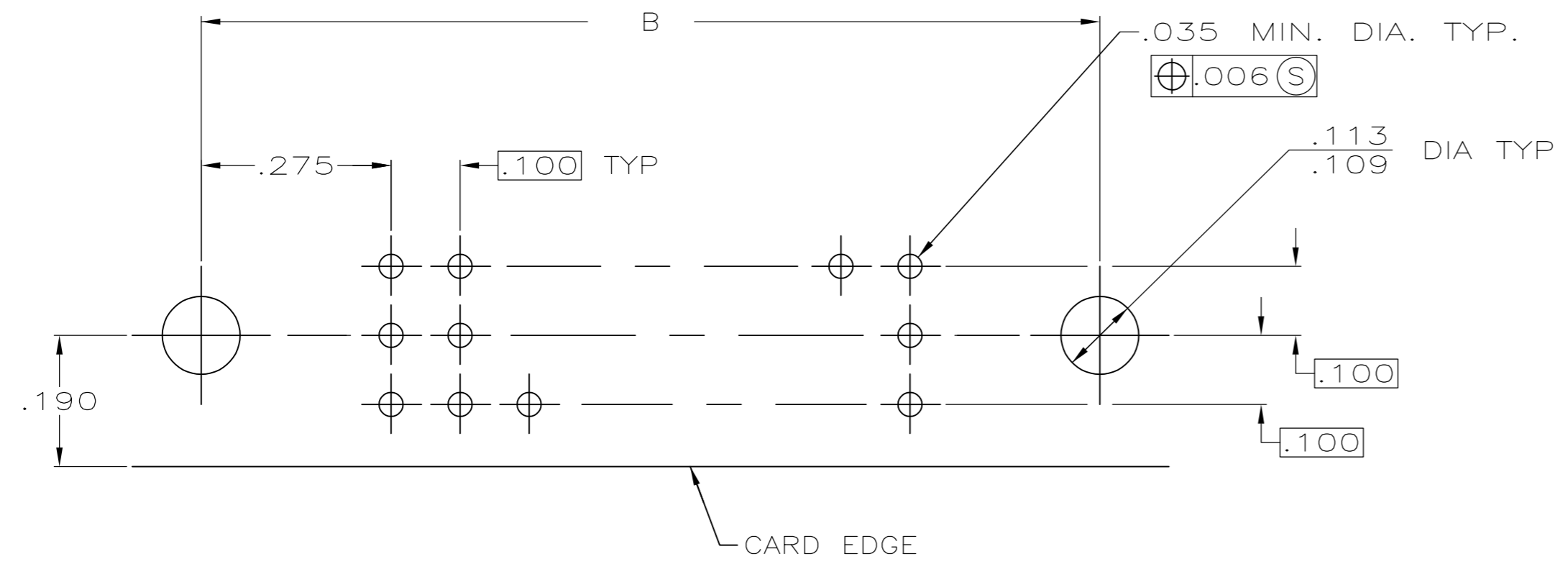
- 1 AMP, DATE CODE, PART NO., MARKED THIS SIDE.
- 2 HOUSING MATERIAL: POLYPHENYLENE SULFIDE, GST-40F, PER MIL-M-24519.
- 3 CONTACT MATERIAL: BRASS
- 4 FINISH: .000050 GOLD OVER .000050 NICKEL IN CONTACT AREA.
- 5 FINISH: .000100 TIN LEAD OVER .000050 NICKEL.
- 6 LETTERS INDICATING OUTSIDE ROWS AND NUMBERS INDICATING END CAVITIES MARKED THIS SURFACE.
- 7 NUMBERS INDICATING EVERY FIVE CAVITIES MARKED ON BOTH SIDES.
- 8 LINES INDICATING EVERY FIVE CAVITIES, EXCLUDING END CAVITIES, MARKED ON MATING FACE.

THIS DRAWING IS A CONTROLLED DOCUMENT.		DWN W.D.KISELA 4-23-93	Tyco Electronics Corporation Harrisburg, PA 17105-3608
DIMENSIONS: INCHES		CHK D.MILLER 5-10-93	
TOLERANCES UNLESS OTHERWISE SPECIFIED: 0 PLC ± - 1 PLC ± - 2 PLC ± - 3 PLC ± .010 4 PLC ± - ANGLES ± - FINISH		APVD -	NAME PIN HEADER ASSY, RIGHT ANGLE, 3-ROW, .100
MATERIAL		PRODUCT SPEC -	APPLICATION SPEC -
MATERIAL 		WEIGHT -	RESTRICTED TO -
CUSTOMER DRAWING		SCALE 5:1	SIZE A2 CAGE CODE 00779 DRAWING NO C=532010 SHEET 1 of 2 REV E

532010

THIS DRAWING IS UNPUBLISHED. RELEASED FOR PUBLICATION
 © COPYRIGHT BY TYCO ELECTRONICS CORPORATION. ALL INTERNATIONAL RIGHTS RESERVED.

LOC	DIST	REVISIONS					
DF	F0	P	LTR	DESCRIPTION	DATE	DWN	APVD
		-	-	SEE SHEET 1	-	-	-



PC BOARD LAYOUT

OBSOLETE	6.500	65	60644	7.050	7.350	198	532010-3
OBSOLETE	2.400	24	2.544	2.950	3.250	75	532010-2
	1.900	19	2.044	2.450	2.750	60	532010-1
	DIM E	DIM D	DIM C	DIM B	DIM A	POSITION	PART NO

THIS DRAWING IS A CONTROLLED DOCUMENT.		DWN	4-23-93	Tyco Electronics Corporation Harrisburg, PA 17105-3608			
		CHK	5-10-93				
DIMENSIONS: INCHES		TOLERANCES UNLESS OTHERWISE SPECIFIED:		NAME			
		0 PLC	± -	PIN HEADER ASSY, RIGHT ANGLE, 3-ROW, .100			
		1 PLC	± -	SIZE			
		2 PLC	± -	CAGE CODE			
		3 PLC	± .010	DRAWING NO			
		4 PLC	± -	RESTRICTED TO			
		ANGLES	± -	A2 00779 C=532010			
MATERIAL		FINISH		WEIGHT		SCALE	
-		-		-		SHEET 2 of 2	
CUSTOMER DRAWING				REV E			

CUSTOMER DRAWING