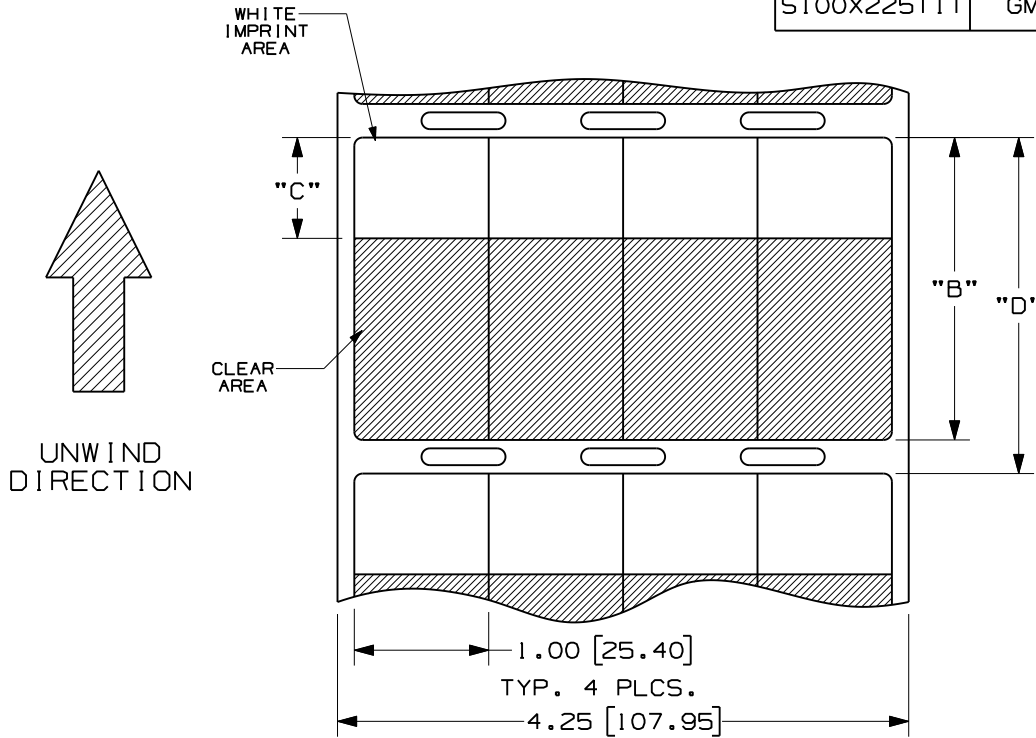


THIS COPY IS PROVIDED ON A RESTRICTED BASIS AND IS NOT TO BE USED IN ANY WAY DETRIMENTAL TO THE INTERESTS OF PANDUIT CORP.

PART NUMBER	MATERIAL	"B" HEIGHT	IMPRINT AREA "C" +/- .062	VERTICAL REPEAT "D"	LABELS PER ROW	STANDARD PKG. QTY.
S100X075T1T	GMTD1	0.75 [19.1]	0.25 [6.35]	1.00 [25.4]	4	2500
S100X125T1T	GMTD1	1.25 [31.8]	0.375 [9.52]	1.50 [38.1]	4	2500
S100X150T1T	GMTD1	1.50 [38.1]	0.50 [12.7]	1.80 [45.7]	4	2500
S100X225T1T	GMTD1	2.25 [57.2]	0.75 [19.1]	2.50 [63.5]	4	1500



NOTES:
1. MILLIMETERS ARE IN [].

CAD FILENAME/LAYERS 100619PC-DC-C10871/00B

PANDUIT CORP. TINLEY PARK, ILLINOIS

CUSTOMER DRAWING
PVDF SELF-LAM. S100X***T1T
THERMAL TRANSFER PRINTABLE LABELS

UNLESS OTHERWISE SPECIFIED,
DIMENSIONAL TOLERANCES ARE:
(.X) ± .12 (XXX) ± .025
(.XX) ± .062 ANGLES ±

UNLESS OTHERWISE SPECIFIED,
ALL DIMENSIONS ARE GIVEN
IN INCHES, THIRD ANGLE PROJECTION.

DRAWN BY
RVU

MAT'L:

SCALE NTS

DATE
11/15/10

SEE TABLE

DRAWING NO.
C10871

DWG
A
SIZE

REV	DATE	BY	CHK	DESCRIPTION	ECN	R	CUST	SUP
0	11/15/10	RVU		DRAWING RELEASE.	6245	R		