

350 SERIES

3-phase voltage/phase monitor



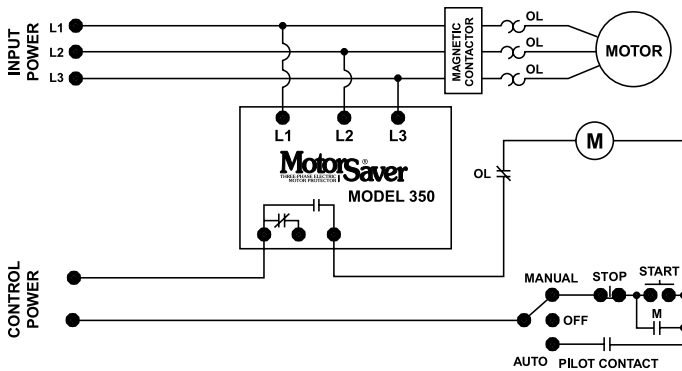
Description

The 350 Series is a heavy-duty voltage monitor. This product should be used when high current relays or dual contacts are required, or 480V controls are used. Since the 350 Series uses heavy-duty relays, it comes in fixed voltage range models rather than a dual auto-ranging version like the Model 250.

The 350200 has a 15A general purpose contact. The 350400 provides a SPDT (Form C) relay rated to switch up to 600V, allowing the use of 480V controls, eliminating the need for a control power transformer to step the voltage down to 120-240V. Several DPDT (two Form C contacts) relay models are also available.

The 350 microcontroller-based family of products are low cost yet highly advanced solutions to heavy-duty problems. The 350 includes advanced single LED diagnostics. Five different light patterns distinguish faults and normal operating conditions. Other options such as high voltage trip and adjustable restart delay are available.

Wiring Diagram



Features & Benefits

FEATURES	BENEFITS
Proprietary microcontroller based circuitry	Constantly monitors 3 phase voltage to protect against harmful line conditions, even before the motor is started
Advanced LED indication	Provides diagnostics which can be used for troubleshooting and to determine relay status
Adjustable restart delay (-2 models) settings	Allows staggered start up of multiple motors, after a fault, to prevent a low voltage condition
600V rated relay contacts available on some models	Eliminates the need for a control transformer to step voltage down to 120 - 240V for a control circuit

Ordering Information

MODEL	LINE VOTAGE	DESCRIPTION	MODEL	LINE VOTAGE	DESCRIPTION
350200	190-240VAC	SPDT, fixed trip and restart delay	35040026	380-480VAC	DPDT, 2 relays (1)10a. (1) 15A; fixed trip and variable restart delay (manual, 2-300s)
3502002	190-240VAC	SPDT, fixed trip and variable restart delay (manual, 2-300s)	35040028**	380-480VAC	DPDT, 2 relays 15A; variable restart delay (no manual reset)
35020026	190-240VAC	DPDT, 2 relays (1)10a. (1) 15A; fixed trip and variable restart delay (manual, 2-300s)	35040029	380-480VAC	SPDT, fixed trip and variable restart delay (manual, 2-300s), plus high voltage detection
35020028**	190-240VAC	DPDT, 2 relays 15A; variable restart delay (no manual reset)	350600	475-600VAC	SPDT, fixed trip and restart delay
35020029	190-240VAC	SPDT, fixed trip and variable restart delay (manual, 2-300s), plus high voltage detection	3506002	475-600VAC	SPDT, fixed trip and restart delay (manual, 2-300s)
350400	380-480VAC	SPDT, fixed trip and restart delay	35060026	475-600VAC	DPDT, 2 relays (1)10a. (1) 15A; fixed trip and variable restart delay (manual, 2-300s)
3504002	380-480VAC	SPDT, fixed trip and variable restart delay (manual, 2-300s)	35060028**	475-600VAC	DPDT, 2 relays 15A; variable restart delay (no manual reset)
35040025	380-480VAC	DPDT, fixed trip and variable restart delay (manual, 2-300s)	35060029	475-600VAC	SPDT, fixed trip and variable restart delay (manual, 2-300s), plus high voltage detection

** These units are not equipped with Manual Reset.

350 SERIES

Specifications

Input Characteristics

Line Voltage	
350200	190-240VAC
350400	380-480VAC
350600	475-600VAC
Frequency	50*/60Hz

Functional Characteristics

Low Voltage (% of setpoint)	
Trip	90%
Reset	93%
Voltage Unbalance (NEMA)	
Trip	6%
Reset	4.5%
Trip Delay Time:	
Low Voltage	4 seconds
Unbalance & Phasing Faults	2 seconds
Restart Delay Time	
After a Fault	2 seconds
After a Complete Power Loss	2 seconds

Output Characteristics

Output Contact Rating	
SPDT (350200)	
Pilot Duty	480VA @ 240VAC
General Purpose	15A
SPDT (350-400, 350-600)	470VA @ 600VAC
DPDT (-6 Option)	1-10A General Purpose
	480VA @ 240VAC Pilot Duty
	1-15A General Purpose
	480VA @ 240VAC Pilot Duty
	1hp @ 240VAC
DPDT (-8 Option)	2-15A General Purpose
	480VA @ 240VAC Pilot Duty
	1hp @ 240VAC

General Characteristics

Ambient Temperature Range	
Operating	-40° to 70°C (-40° to 158°F)
Storage	-40° to 80°C (-40° to 176°F)
Trip & Reset Accuracy	±1%
Maximum Input Power	5 W
Terminal	
Torque	7 in.-lbs.
Wire Size	12-18AWG
Transient Protection	
(Internal)	IEC 61000-4-5;1995 ±6kV
Safety Marks	
UL	UL508 (File #E68520)
CSA	22.2 No. 14 (File #46510)
CE	IEC 60947-6-2
Dimensions	H 74.42 mm (2.93"); W 133.86 mm (5.27"); D 74.93 mm (2.95")
Weight	1.05 lbs. (16.8 oz., 476.27 g)
Mounting Method	#8 screws
Special Options	
Opt. 2: Variable Restart Delay	Manual, 2-300 seconds adj.
Opt. 5: DPDT Relay	
Opt. 6: 2 Relays (1) 10A, (1) 15A	
Opt. 8: 2 Relays (2) 15A	
Opt. 9: High Voltage (% of setpoint)	
Trip	110%
Reset	107%

*Note: 50Hz will increase all delay timers by 20%.