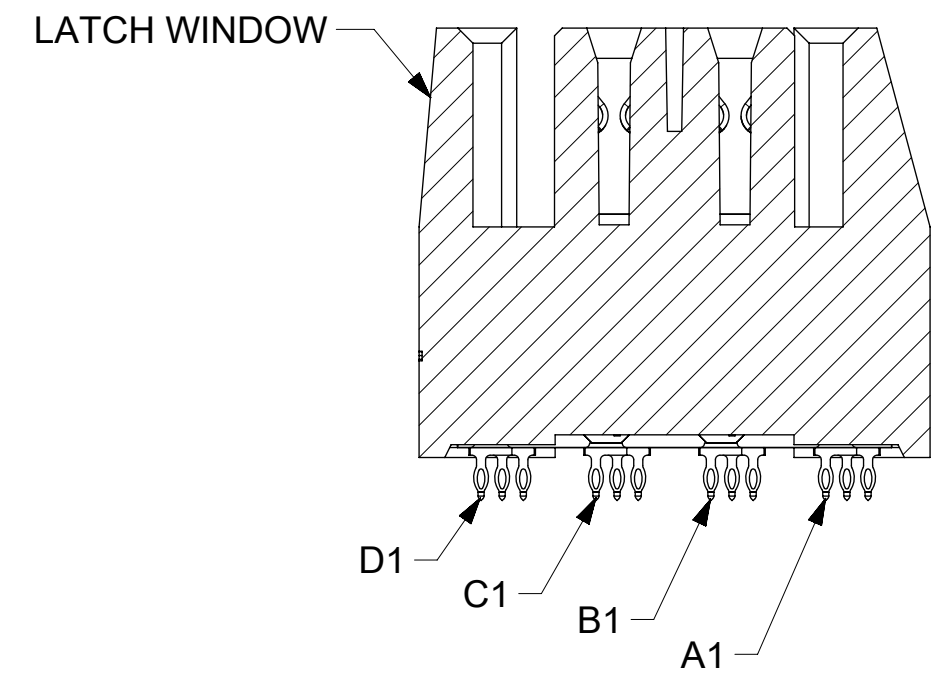
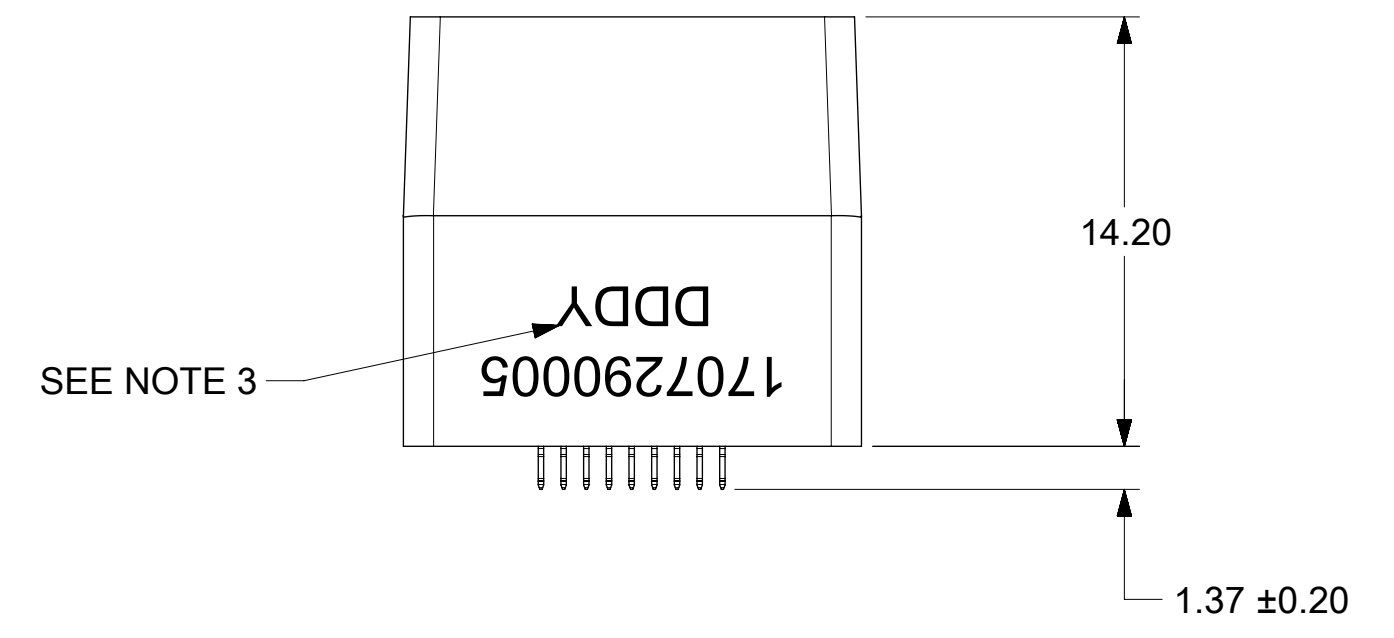
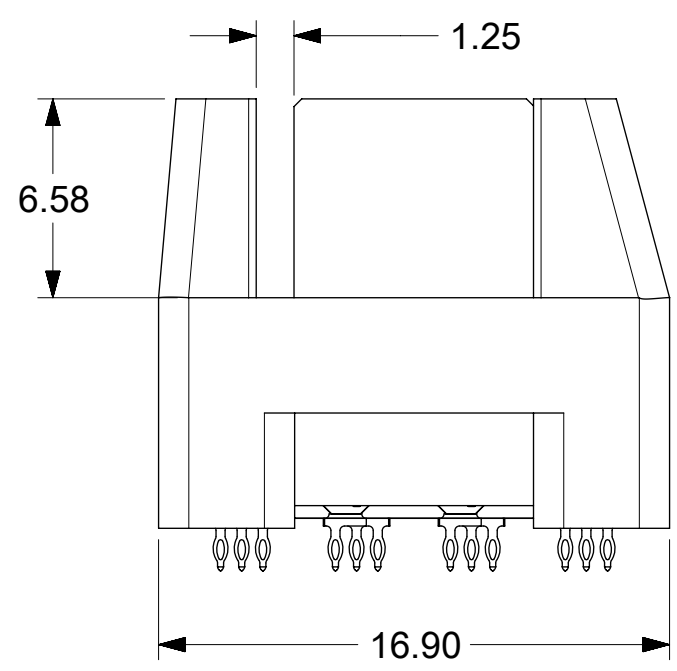
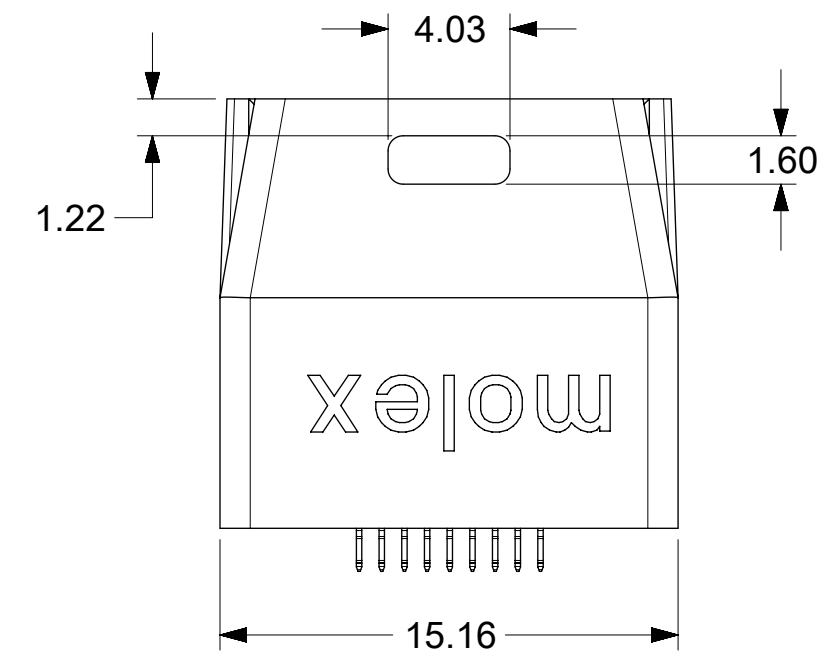
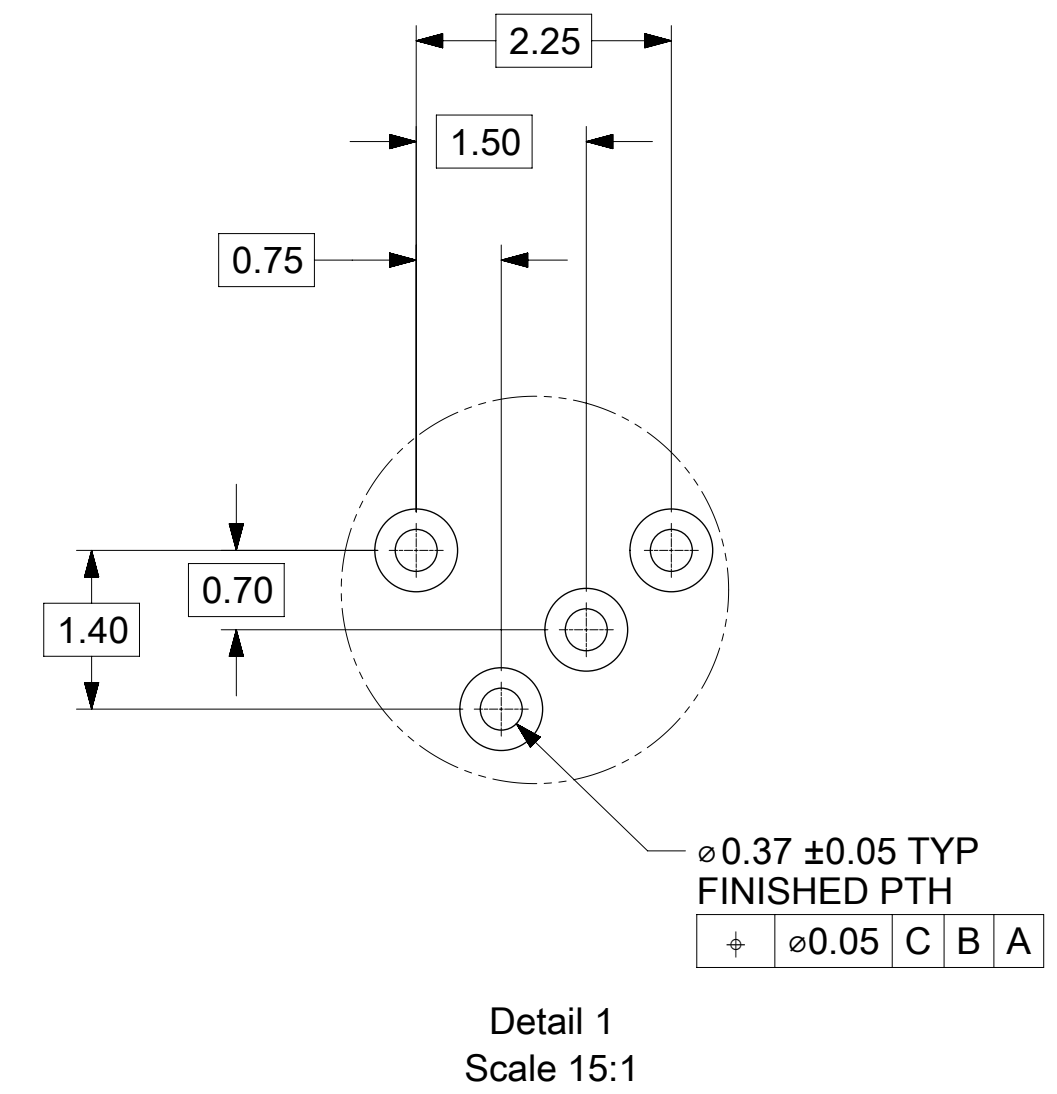
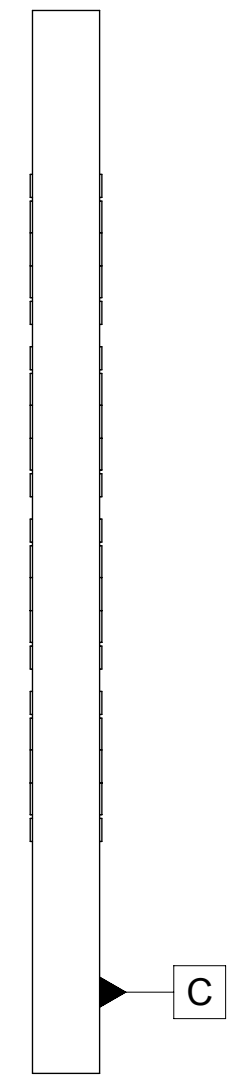
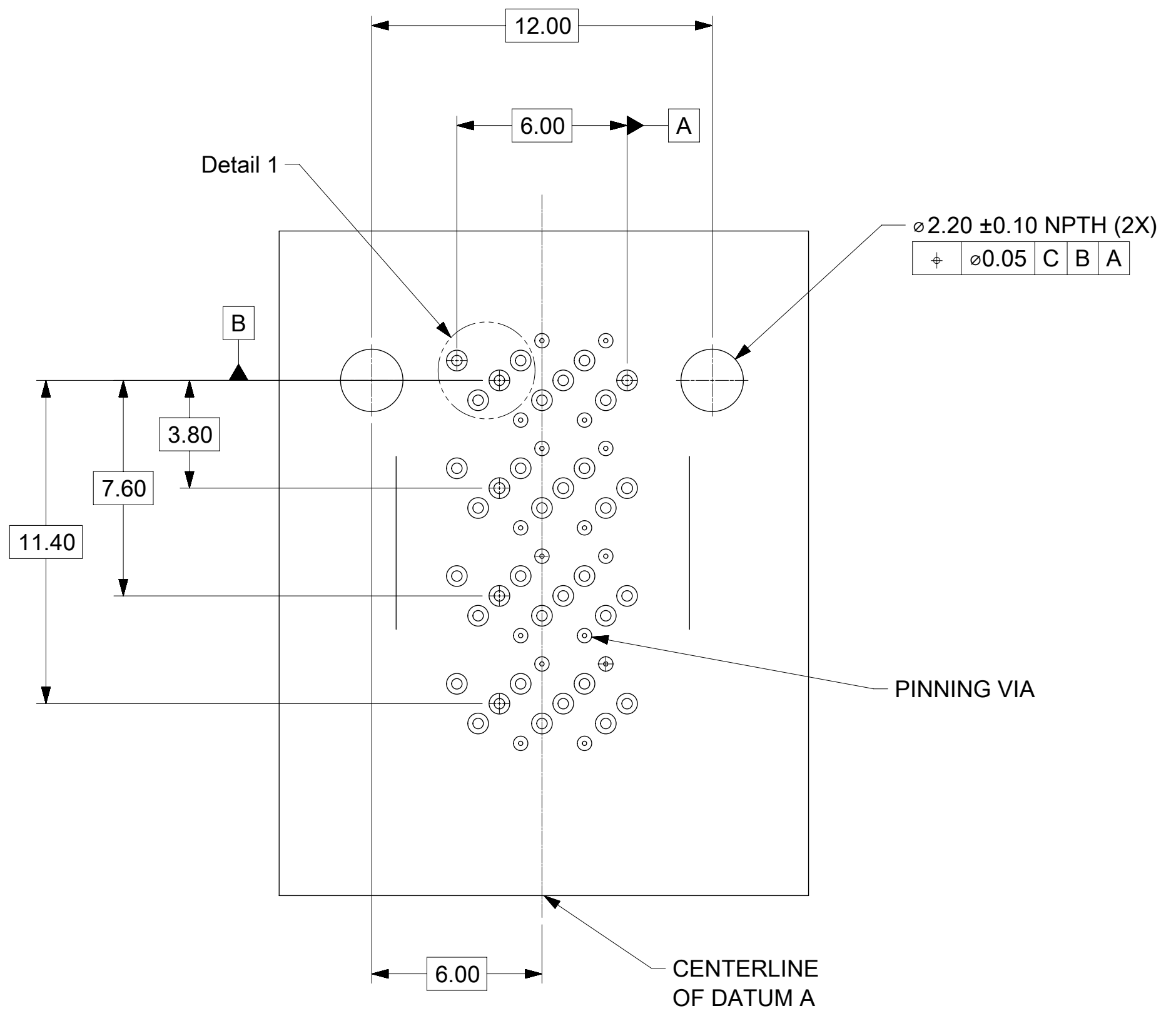


- NOTES:
1. MATERIALS:  
CONNECTOR HOUSING: HIGH TEMPERATURE THERMOPLASTIC  
GLASS FILLED, UL 94V-0
  2. FINISHES:  
CONTACT AREA: 0.76  $\mu$ M MIN GOLD OVER 3.81  $\mu$ M NICKEL  
COMPLIANT AREA: 0.76  $\mu$ M MIN TIN (LEAD FREE)  
OVER 1.27  $\mu$ M MIN NICKEL
  3. MANUFACTURED DATE CODE (JULIAN CALENDAR) & PART NUMBER
  4. PRODUCT SPECIFICATION: PS-170729-001
  5. PACKAGING SPECIFICATION: PK-76867-002
  6. MATES WITH: MOLEX CABLE SERIES 111074
  7. MOUNTING HARDWARE NOT INCLUDED REFER TO APPLICATION SPECIFICATION AS-170729-0001.
  8. PLUG MODULE PCB LAYOUT REFER TO SD-76866-9900



THIS DRAWING CONTAINS INFORMATION THAT IS PROPRIETARY TO MOLEX ELECTRONIC TECHNOLOGIES, LLC AND SHOULD NOT BE USED WITHOUT WRITTEN PERMISSION											
MIGRATED EC NO: 108695 DRWN: ABN CHKD: REV / APPR: SMILLER	GENERAL TOLERANCES (UNLESS SPECIFIED)		DIMENSION UNITS	SCALE	<b>molex</b>  IPASS ZHD VERTICAL SINGLE PIECE HOUSING ASSEMBLY						
	ANGULAR TOL $\pm$ 2.0 °		MM	4:1							
	4 PLACES $\pm$	DRWN BY	DATE	PRODUCT CUSTOMER DRAWING							
	3 PLACES $\pm$	TMCCLELL	2013/02/04	SERIES	MATERIAL NUMBER	CUSTOMER					
	2 PLACES $\pm$ 0.13	CHK'D BY	DATE	170729	170729-0005	GENERAL MARKET					
1 PLACE $\pm$ 0.25	APPR BY	DATE	DOCUMENT NUMBER		DOC TYPE	DOC PART	SHEET NUMBER				
0 PLACES $\pm$	MBANAKIS	2013/03/19	SD-170729-0005		PSD	000	1 OF 3				
DRAFT WHERE APPLICABLE MUST REMAIN WITHIN DIMENSIONS		DRAWING SIZE	THIRD ANGLE PROJECTION								
A	C										

RELEASE STATUS	RELEASE DATE										

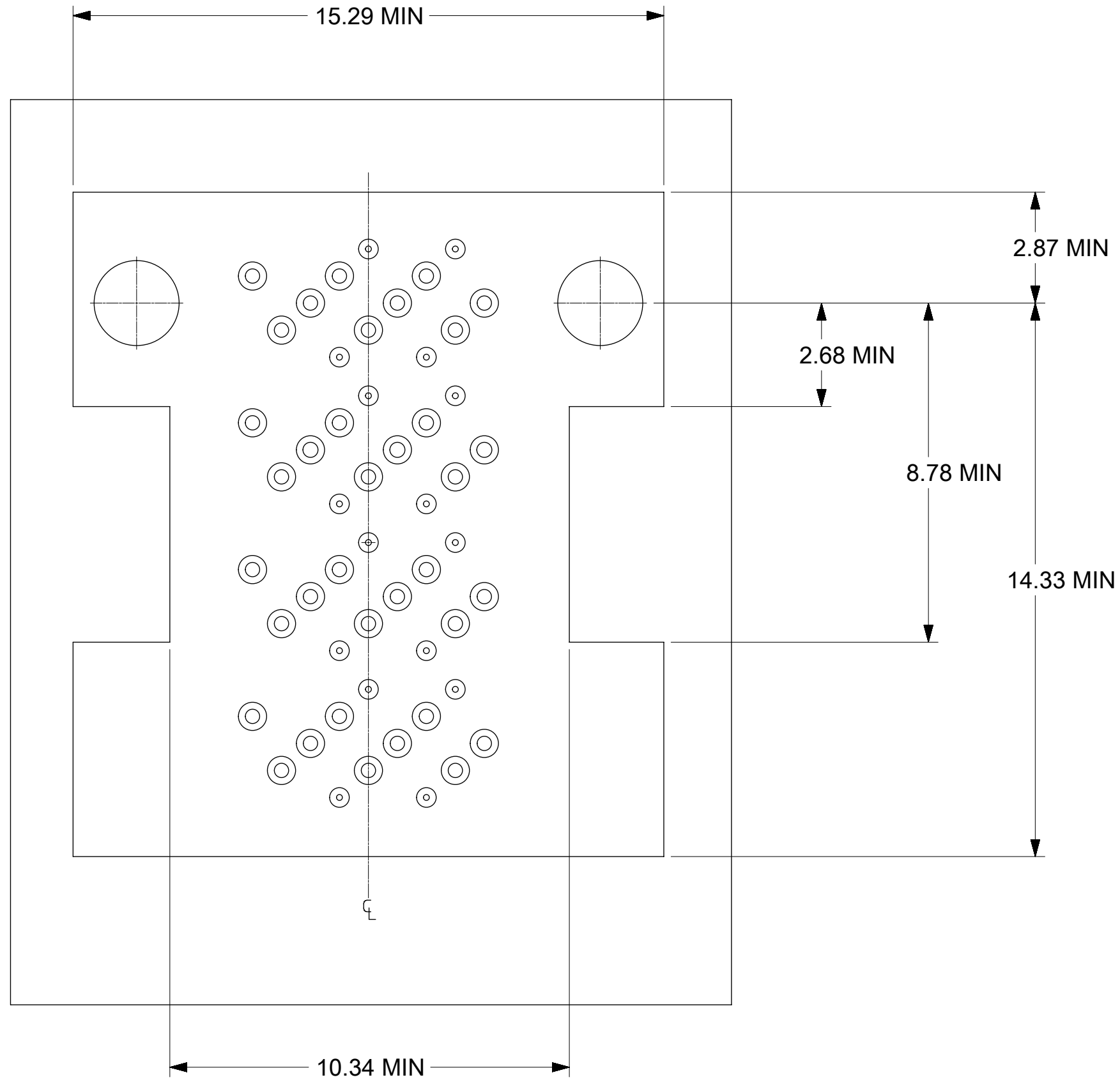


## RECOMMENDED FOOTPRINT

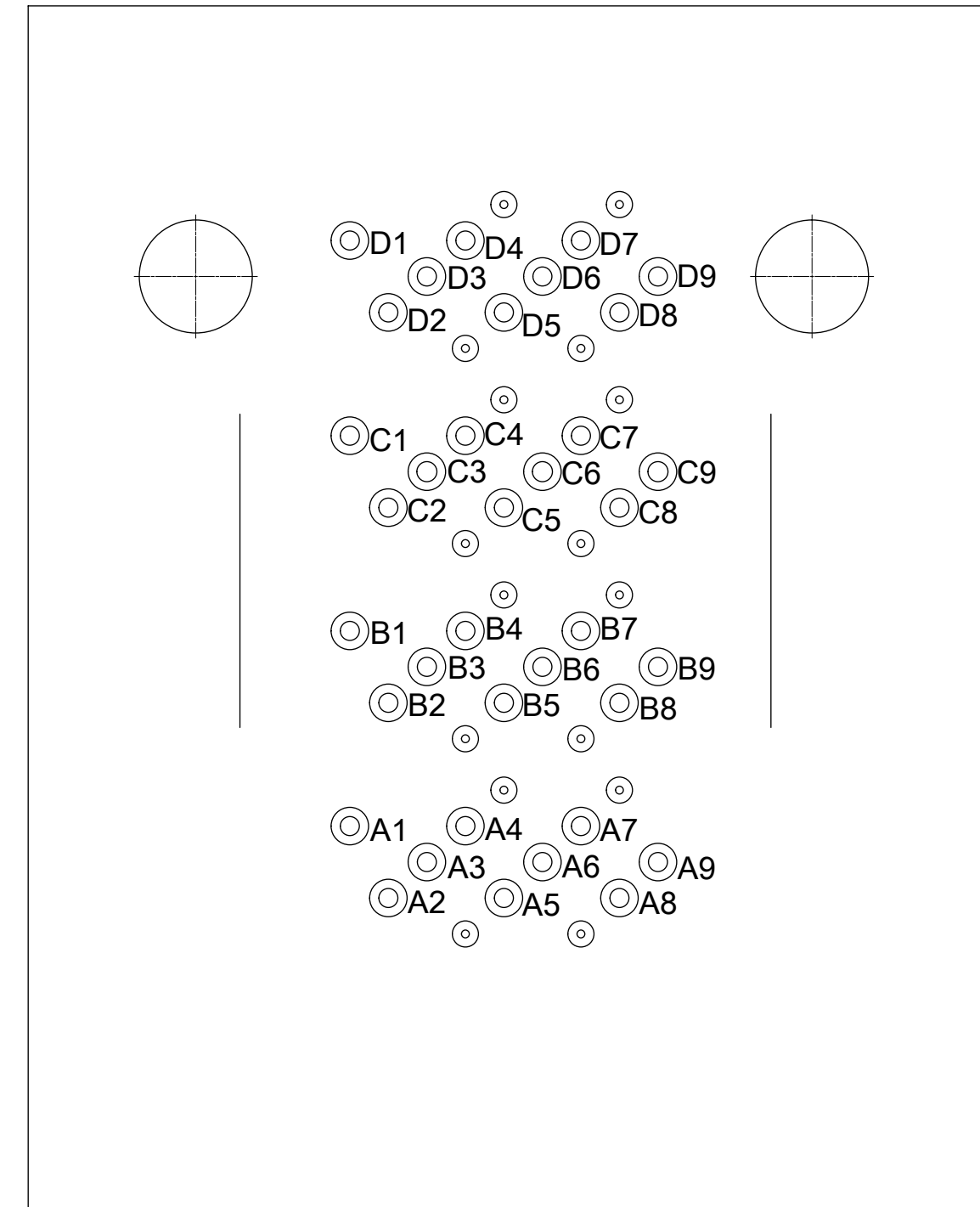
- NOTES:
1. RECOMMENDED DRILL SIZE AND ANNULAR RING FOR 0.37 $\varnothing$  FINISHED PTH - REFER TO APPLICATION SPECIFICATION AS-170729-0001
  2. MINIMUM RECOMMENDED SPACING IS 16.00MM
  3. MINIMUM RECOMMENDED PCB THICKNESS: 1.57MM

THIS DRAWING CONTAINS INFORMATION THAT IS PROPRIETARY TO MOLEX ELECTRONIC TECHNOLOGIES, LLC AND SHOULD NOT BE USED WITHOUT WRITTEN PERMISSION											
MIGRATED EC NO: 108895 DRWN: ABN CHKD: REV / APPR: SMILLER	GENERAL TOLERANCES (UNLESS SPECIFIED)				DIMENSION UNITS	SCALE					
	ANGULAR TOL $\pm 2.0^\circ$				MM	6:1					
	4 PLACES	$\pm$			DRWN BY	DATE	IPASS ZHD VERTICAL SINGLE PIECE HOUSING ASSEMBLY				
	3 PLACES	$\pm$			TMCCLELL	2013/02/04					
	2 PLACES	$\pm 0.13$			CHKD BY	DATE	PRODUCT CUSTOMER DRAWING				
	1 PLACE	$\pm 0.25$			TMCCLELLAND	2013/02/19					
0 PLACES	$\pm$			APPR BY	DATE	SERIES MATERIAL NUMBER CUSTOMER 170729 170729-0005 GENERAL MARKET					
DRAFT WHERE APPLICABLE MUST REMAIN WITHIN DIMENSIONS				DRAWING SIZE	THIRD ANGLE PROJECTION						DOCUMENT NUMBER DOC TYPE DOC PART SHEET NUMBER SD-170729-0005 PSD 000 2 OF 3
A	C										

RELEASE STATUS	RELEASE DATE
12	11



RECOMMENDED COMPONENT KEEP OUT AREA



CIRCUIT IDENTIFICATION

THIS DRAWING CONTAINS INFORMATION THAT IS PROPRIETARY TO MOLEX ELECTRONIC TECHNOLOGIES, LLC AND SHOULD NOT BE USED WITHOUT WRITTEN PERMISSION												
MIGRATED EC NO: 108895 DRWN: ABN CHKD: REV / APPR: SMILLER	GENERAL TOLERANCES (UNLESS SPECIFIED)			DIMENSION UNITS	SCALE							
	ANGULAR TOL ± 2.0 °			MM	8:1							
	4 PLACES ±	DRWN BY		DATE		IPASS ZHD VERTICAL SINGLE PIECE HOUSING ASSEMBLY						
	3 PLACES ±	TMCCLELL		2013/02/04								
	2 PLACES ± 0.13	CHKD BY		DATE		PRODUCT CUSTOMER DRAWING						
	1 PLACE ± 0.25	TMCCLELLAND		2013/02/19								
0 PLACES ±	APPR BY		DATE		SERIES		MATERIAL NUMBER		CUSTOMER			
DRAFT WHERE APPLICABLE MUST REMAIN WITHIN DIMENSIONS			DRAWING SIZE		THIRD ANGLE PROJECTION		170729		170729-0005		GENERAL MARKET	
A	C				DOCUMENT NUMBER		SD-170729-0005		DOC TYPE		PSD 000	
						SHEET NUMBER				3 OF 3		

RELEASE STATUS	RELEASE DATE
12	11