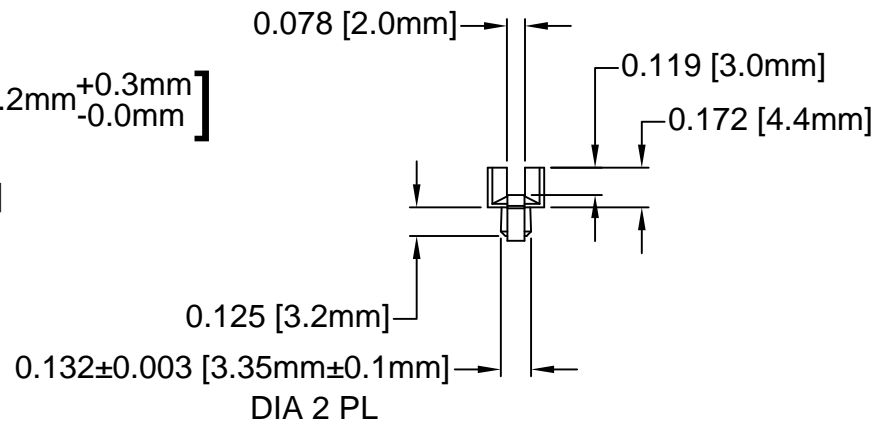
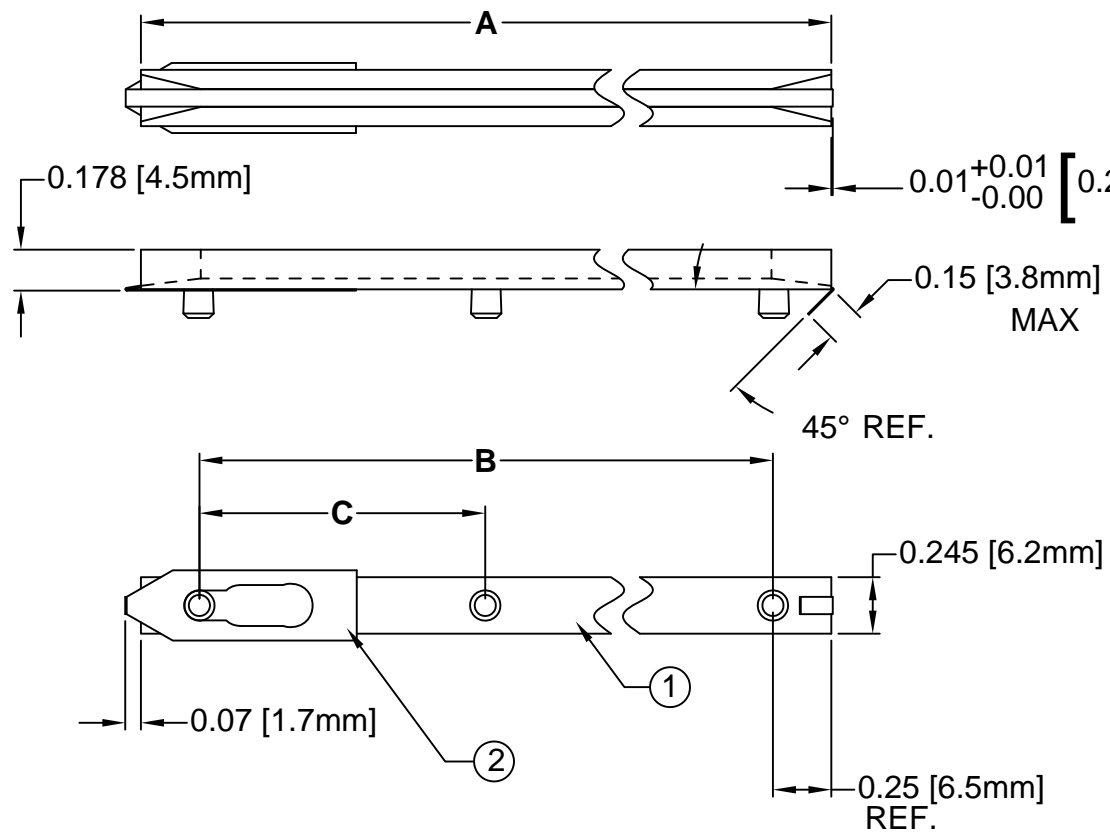
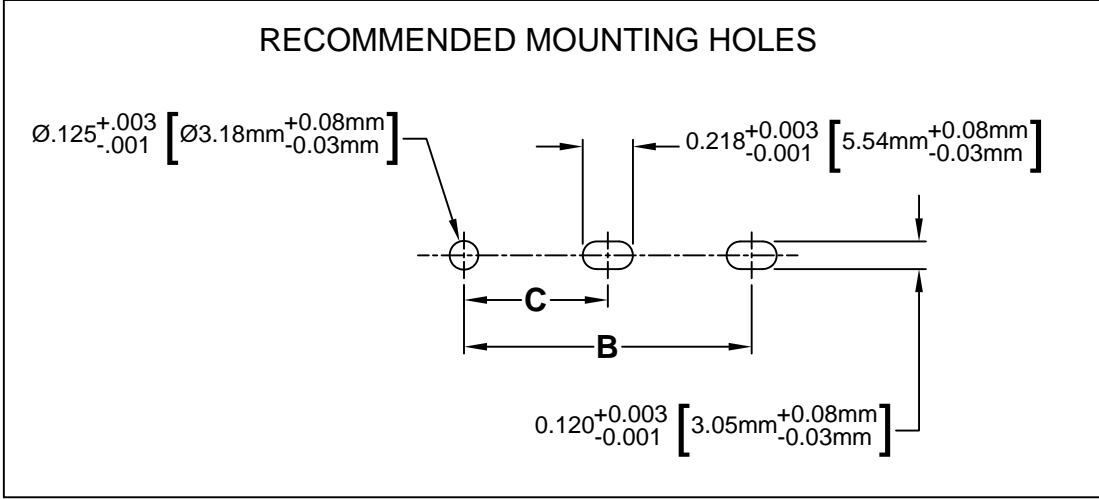


ITEM	QTY	PART NUMBER	PART DESCRIPTION
1	1	N-XXX-X	NARROW PRESS-IN CARD GUIDE
2	1	CS-600-F XX.XX	CONDUCTIVE INSERT

REV.	DESCRIPTION	DATE	APPROVED
B	Eco#388, Engineering Update.	05/01/03	M. C.
C	CI Length (.15" max) Update.	10/06/09	T. Y.
D	Engineering Update w/o Changes.	05/17/16	J. C.



PART NO.	CONDUCTIVE INSERT	A ±.030 (.76)	B ±.024 (.61)	C ±.016 (.41)
N-250-2-CI	CS-600-F 10.75	2.5 (63.5)	2.0 (50.8)	--
N-300-2-CI	CS-600-F 10.75	3.0 (76.2)	2.5 (63.5)	--
N-350-2-CI	CS-600-F 10.75	3.5 (88.9)	3.0 (76.2)	--
N-400-2-CI	CS-600-F 10.75	4.0 (101.6)	3.5 (88.9)	--
N-450-2-CI	CS-600-F 10.75	4.5 (114.3)	4.0 (101.6)	--
N-500-2-CI	CS-600-F 10.75	5.0 (127.0)	4.5 (114.3)	--
N-550-2-CI	CS-600-F 10.75	5.5 (139.7)	5.0 (127.0)	--
N-600-2-CI	CS-600-F 10.75	6.0 (152.4)	5.5 (139.7)	--
N-650-2-CI	CS-600-F 10.75	6.5 (165.1)	6.0 (152.4)	--
N-700-2-CI	CS-600-F 10.75	7.0 (177.8)	6.5 (165.1)	--
N-700-3-CI	CS-600-F 10.75	7.0 (177.8)	6.5 (165.1)	3.25 (82.5)
N-750-2-CI	CS-600-F 10.75	7.5 (190.5)	7.0 (177.8)	--
N-750-3-CI	CS-600-F 10.75	7.5 (190.5)	7.0 (177.8)	3.50 (88.9)
N-800-2-CI	CS-600-F 10.75	8.0 (203.2)	7.5 (190.5)	--
N-800-3-CI	CS-600-F 10.75	8.0 (203.2)	7.5 (190.5)	3.75 (95.2)
N-850-2-CI	CS-600-F 14.00	8.5 (215.9)	8.0 (203.2)	--
N-850-3-CI	CS-600-F 14.00	8.5 (215.9)	8.0 (203.2)	4.00 (101.6)



STANDARD TOLERANCE (UNLESS OTHERWISE SPECIFIED)

	DECIMALS	ANGULAR
.X	±.1	X° ± 1°
.XX	±.01	
.XXX	±.005	

DESIGNED: **M. Chen** DATE: **02/06/03**

CHECKED: **D. Green** DATE: **02/06/03**

BIVAR[®]
 4 THOMAS, IRVINE, CA. 92618
 TEL: (949) 951-8808 FAX: (949) 951-3974

TITLE: NARROW PRESS-IN CARD GUIDE W/ CONDUCTIVE INSERT

PART NO: N-XXX-X-CI

REVISION: D

CAGE CODE : 32559 **SHEET #** 1 OF 1

CAD GENERATED DOCUMENT, DO NOT MEASURE DRAWING.