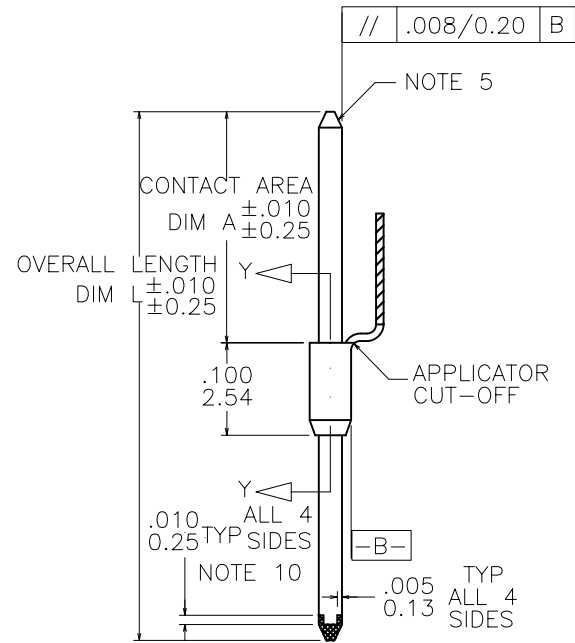
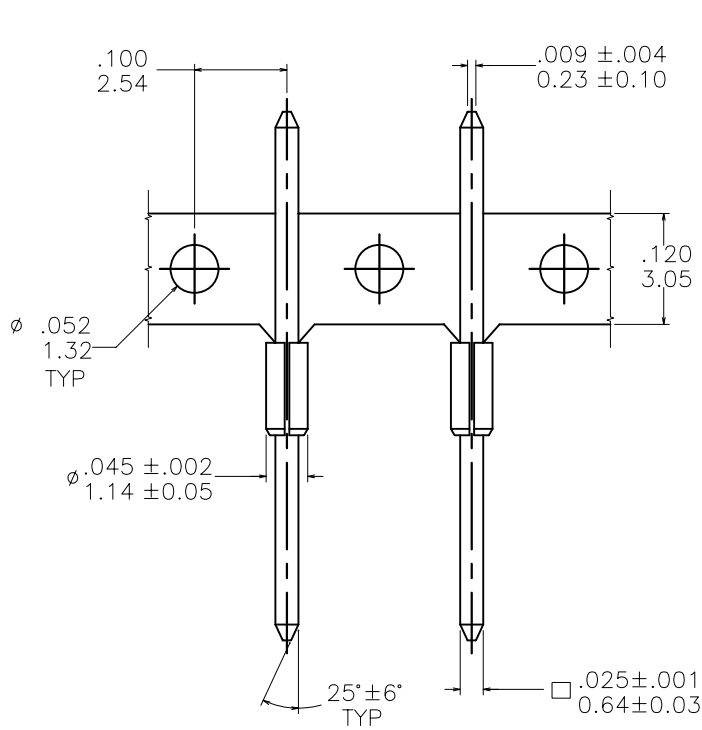
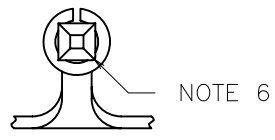
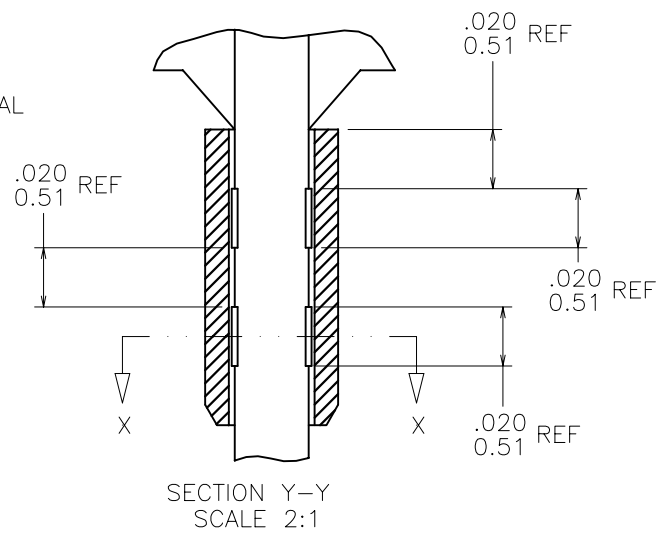
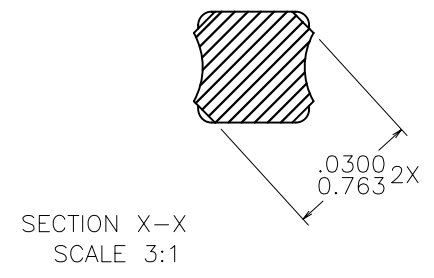
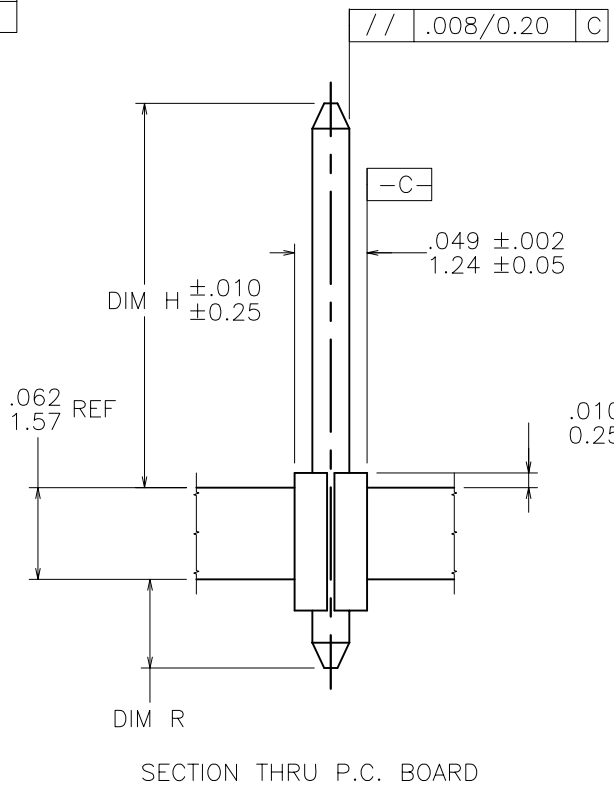


PRODUCT NUMBER
SEE TABLE



mat'l. code		surface		tolerance		projection		product family	
SEE NOTE 1		ASME Y14.5		ASME Y14.5		INCH/MM		PIN PRODUCTS	
ltr	ecn no	dr	date	tolerances unless otherwise specified		INCH/MM		title	
EJ	V22753	JWB	1992-07-21	angles	XX*.01/X*.3	INCH/MM		BERGPOST® .200"[5.08]cc	
EK	V60730	EPK	1996-06-18	angles	XXX*.005/XXX*.13	5:1		WITH RETENTION NICKS	
EL	V71494	HTB	1997-10-24	0° ±2'	XXXX*.0020/XXX*.051	5:1		sheet 1 of 6	
EM	V01594	JRW	2000-07-11	dr	J.W. BAIR	FCI		size	
EN	V05-0387	HTB	2005-04-26	engr	E. IORFIDO	FCI		47310	
EP	V06-0685	HTB	2006-07-25	chr	E. IORFIDO	FCI		A4	
ER	V08-0379	HTB	2008-08-28	appd	E. IORFIDO	FCI		type	
ER	V08-0379	HTB	2008-08-28	appd	E. IORFIDO	FCI		CUSTOMER Drawing	
sheet	revision	ER	ER	ER	ER	ER	ER		
index	sheet	1	2	3	4	5	6		

PRODUCT NUMBER
SEE TABLE



mat'l. code		surface		tolerance		projection		product family	
SEE NOTE 1		ASME Y14.5		ASME Y14.5		INCH/MM		PIN PRODUCTS	
ltr	ecn no	dr	date	tolerances unless otherwise specified		INCH/MM		title	
ER				angles	XX+01/X+3	SCALE 10:1		BERGPOST® .200"[5.08]cc WITH RETENTION NICKS	
				0°±2'	XXX+005/XX+13			dwg no	
					XXXX+0020/XXX+051			sheet 2 of 6	
		dr	J.W. BAIR	1992-07-21			FCI		size
		engr	E. IORFIDO	1992-07-21					47310
		chr	E. IORFIDO	1992-07-21					A4
		appd	E. IORFIDO	1992-07-21					type
sheet index	revision sheet								CUSTOMER Drawing

PRODUCT NUMBER	PLATING CODE	PLATING	UNDERPLATING
SEE TABLE	1	30μ" [0.76μ] Au	50μ" [1.27μ] Ni
	2	U N A S S I G N E D	
	3	50μ" [1.27μ] Au	50μ" [1.27μ] Ni
	4	120μ" [3.05μ] 93/7 SnPb	50μ" [1.27μ] Ni
		100μ" [2.54μ] Sn (NOTE 12)	50μ" [1.27μ] Ni
	5	30μ" [0.76μ] GXT™	50μ" [1.27μ] Ni
	6	15μ" [0.38μ] GXT™	50μ" [1.27μ] Ni
	7	U N A S S I G N E D	
	8	U N A S S I G N E D	
	9	15μ" [0.38μ] Au	50μ" [1.27μ] Ni

DISCONTINUED

NOTES:

- ① MAT'L: POST, 3/4 HD. PHOS-BRONZE ASTM B-159-66 FERRULE, 1/2 HARD CARTRIGE BRASS ASTM - B-36-67.
2. SEE PRODUCT SPECIFICATION BUS-12-040 FOR P.C. BOARD HOLE DIAMETER AND P.C. BOARD PLATING INFORMATION.
3. CENTER LINE OF THE TERMINAL MUST BE IN TRUE POSITION IN RESPECT TO THE HOLE AXIS, WITHIN .015 [0.38] DIA. AFTER INSERTION IN P.C. BOARD.
4. BURNISH MARKS PERMITTED ON PINS.
- ⑤ TWO SIDES OF LEAD-IN NOT PLATED. TYP BOTH ENDS.
- ⑥ .002 [0.05] MAX. RADIUS (4X) ON WIRE WRAP PORTION OF THE POST.
7. POST TO FERRULE RETENTION 12.0 LBS [53.4 NS.] MIN. BEFORE STAKING.
8. POST IS BONDED TO FERRULE BY REFLOWING.
9. .015 [0.38] MAX SOLDER PERMISSIBLE ABOVE AND BELOW THE FERRULE ON THE SURFACE OF THE POST.
- ⑩ SOLDER SPOTS PERMISSIBLE IN SHADED AREA ONLY, BELOW FERRULE.
- ⑪ ADD AN LF SUFFIX TO PART NUMBERS FOR PRODUCT THAT MEETS EUROPEAN UNION DIRECTIVES AND OTHER COUNTRY REGULATIONS AS DESCRIBED IN GS-22-008. PLATING CODE 4 AVAILABLE AS LF (TIN) ONLY.
- ⑫ THIS PRODUCT HAS 100% TIN PLATING IN THE INTERFACE AND HAS NOT BEEN TESTED FOR WHISKER GROWTH IN ALL INTERCONNECT ENVIRONMENTS.

mat'l. code SEE NOTE 1		surface ASME Y14.5 ✓		tolerance ASME Y14.5		projection 		product family PIN PRODUCTS	
ltr	ecn no	dr	date	tolerances unless otherwise specified				title	
ER				angles	$\frac{XX+.01}{X+.3}$	INCH/MM		BERGPOST® .200"[5.08]cc	
					$\frac{XXX+.005}{XXX+.13}$	scale 1:1		WITH RETENTION NICKS	
				0'±2'	$\frac{XXXX+.0020}{XXX+.051}$			dwg no	
		dr	J.W. BAIR	1992-08-03			sheet 3 of 6		size
		engr	E. IORFIDO	1992-08-03			47310		A4
		chr	E. IORFIDO	1992-08-03			type		CUSTOMER Drawing
		appd	E. IORFIDO	1992-08-03					
sheet index	revision sheet								



PRODUCT NUMBER NOTE 20	CONTACT AREA DIM A	DIM H	OVERALL LENGTH DIM L	DIM R	PLATING CODE
47310-000	.308 / 7.82	.328 / 8.33	.450 / 11.43	.060 / 1.52	OBSOLETE
47310-000LF	.308 / 7.82	.328 / 8.33	.450 / 11.43	.060 / 1.52	4
47311-000	SUPERCEDED BY 48124-000				
47312-000	.698 / 17.73	.718 / 18.24	.840 / 21.34	.060 / 1.52	OBSOLETE
47312-000LF	.698 / 17.73	.718 / 18.24	.840 / 21.34	.060 / 1.52	4
47313-000	.748 / 19.00	.768 / 19.51	.890 / 22.61	.060 / 1.52	OBSOLETE
47313-000LF	.748 / 19.00	.768 / 19.51	.890 / 22.61	.060 / 1.52	4
47314-000	.558 / 14.17	.578 / 14.68	1.210 / 30.73	.570 / 14.48	OBSOLETE
47314-000LF	.558 / 14.17	.578 / 14.68	1.210 / 30.73	.570 / 14.48	4
47315-000	.558 / 14.17	.578 / 14.68	1.400 / 35.56	.760 / 19.30	OBSOLETE
47315-000LF	.558 / 14.17	.578 / 14.68	1.400 / 35.56	.760 / 19.30	4
47316-000	.698 / 17.73	.718 / 18.24	1.485 / 37.72	.705 / 17.91	OBSOLETE
47316-000LF	.698 / 17.73	.718 / 18.24	1.485 / 37.72	.705 / 17.91	4
47317-000	.228 / 5.79	.248 / 6.30	.370 / 9.40	.060 / 1.52	OBSOLETE
47317-000LF	.228 / 5.79	.248 / 6.30	.370 / 9.40	.060 / 1.52	4
47318-000	.558 / 14.17	.578 / 14.68	.880 / 22.35	.240 / 6.10	OBSOLETE
47318-000LF	.558 / 14.17	.578 / 14.68	.880 / 22.35	.240 / 6.10	4
47319-000	.583 / 14.81	.603 / 15.32	1.000 / 25.40	.335 / 8.51	OBSOLETE
47319-000LF	.583 / 14.81	.603 / 15.32	1.000 / 25.40	.335 / 8.51	4
47330-000	.308 / 7.82	.328 / 8.33	.450 / 11.43	.060 / 1.52	1
47330-000LF	.308 / 7.82	.328 / 8.33	.450 / 11.43	.060 / 1.52	1
47331-000	SUPERCEDED BY 48032-000				
47332-000LF	.698 / 17.73	.718 / 18.24	.840 / 21.34	.060 / 1.52	1
47332-000	.698 / 17.73	.718 / 18.24	.840 / 21.34	.060 / 1.52	1
47333-000	SUPERCEDED BY 48021-000				
47334-000	.558 / 14.17	.578 / 14.68	1.210 / 30.73	.570 / 14.48	1
47334-000LF	.558 / 14.17	.578 / 14.68	1.210 / 30.73	.570 / 14.48	1
47335-000	.558 / 14.17	.578 / 14.68	1.400 / 35.56	.760 / 19.30	1
47335-000LF	.558 / 14.17	.578 / 14.68	1.400 / 35.56	.760 / 19.30	1
47336-000	.698 / 17.73	.718 / 18.24	1.485 / 37.72	.705 / 17.91	1
47336-000LF	.698 / 17.73	.718 / 18.24	1.485 / 37.72	.705 / 17.91	1
47337-000	.228 / 5.79	.248 / 6.30	.370 / 9.40	.060 / 1.52	1
47337-000LF	.228 / 5.79	.248 / 6.30	.370 / 9.40	.060 / 1.52	1
47338-000	.558 / 14.17	.578 / 14.68	.880 / 22.35	.240 / 6.10	1
47338-000LF	.558 / 14.17	.578 / 14.68	.880 / 22.35	.240 / 6.10	1

PRODUCT NUMBER NOTE 20	CONTACT AREA DIM A	DIM H	OVERALL LENGTH DIM L	DIM R	NOTES
47340-000	.380 / 9.65	.400 / 10.16	.520 / 13.21	.058 / 1.47	3
47340-000LF	.380 / 9.65	.400 / 10.16	.520 / 13.21	.058 / 1.47	3
47341-000	.520 / 13.21	.540 / 13.72	.662 / 16.81	.060 / 1.52	3
47341-000LF	.520 / 13.21	.540 / 13.72	.662 / 16.81	.060 / 1.52	3
47342-000	.380 / 9.65	.400 / 10.16	.772 / 19.61	.320 / 8.13	3
47342-000LF	.380 / 9.65	.400 / 10.16	.772 / 19.61	.320 / 8.13	3
47343-000	.520 / 13.21	.540 / 13.72	.912 / 23.16	.320 / 8.13	3
47343-000LF	.520 / 13.21	.540 / 13.72	.912 / 23.16	.320 / 8.13	3
47344-000	.380 / 9.65	.400 / 10.16	.522 / 13.26	.060 / 1.52	OBSOLETE
47344-000LF	.380 / 9.65	.400 / 10.16	.522 / 13.26	.060 / 1.52	4
47345-000	.520 / 13.21	.540 / 13.72	.662 / 16.81	.060 / 1.52	OBSOLETE
47345-000LF	.520 / 13.21	.540 / 13.72	.662 / 16.81	.060 / 1.52	4
47346-000	.380 / 9.65	.400 / 10.16	.772 / 19.61	.320 / 8.13	OBSOLETE
47346-000LF	.380 / 9.65	.400 / 10.16	.772 / 19.61	.320 / 8.13	4
47347-000	.520 / 13.21	.540 / 13.72	.912 / 23.16	.320 / 8.13	OBSOLETE
47347-000LF	.520 / 13.21	.540 / 13.72	.912 / 23.16	.320 / 8.13	4
47349-000	.228 / 5.79	.248 / 6.30	.550 / 13.97	.240 / 6.10	3
47349-000LF	.228 / 5.79	.248 / 6.30	.550 / 13.97	.240 / 6.10	3
47350-000	.323 / 8.20	.343 / 8.71	.463 / 11.76	.058 / 1.47	3
47350-000LF	.323 / 8.20	.343 / 8.71	.463 / 11.76	.058 / 1.47	3
47350-001	.323 / 8.20	.343 / 8.71	.463 / 11.76	.058 / 1.47	1
47350-001LF	.323 / 8.20	.343 / 8.71	.463 / 11.76	.058 / 1.47	1
47351-000	.573 / 14.55	.593 / 15.06	.715 / 18.16	.060 / 1.52	3
47351-000LF	.573 / 14.55	.593 / 15.06	.715 / 18.16	.060 / 1.52	3
47352-000	.698 / 17.73	.718 / 18.24	.840 / 21.34	.060 / 1.52	3
47352-000LF	.698 / 17.73	.718 / 18.24	.840 / 21.34	.060 / 1.52	3
47353-000	.763 / 19.38	.783 / 19.89	.905 / 22.99	.060 / 1.52	3
47353-000LF	.763 / 19.38	.783 / 19.89	.905 / 22.99	.060 / 1.52	3
47354-000	.573 / 14.55	.593 / 15.06	1.240 / 31.50	.585 / 14.86	3
47354-000LF	.573 / 14.55	.593 / 15.06	1.240 / 31.50	.585 / 14.86	3
47355-000	.573 / 14.55	.593 / 15.06	1.430 / 36.32	.775 / 19.69	3
47355-000LF	.573 / 14.55	.593 / 15.06	1.430 / 36.32	.775 / 19.69	3

A

A

mat'l. code		surface		tolerance		projection		product family	
SEE NOTE 1		ASME Y14.5		ASME Y14.5				PIN PRODUCTS	
ltr	ecrn no	dr	date	tolerances unless otherwise specified				title	
ER				angles	XX*01/XX*3		INCH/MM		BERGPOST® .200"[5.08]cc
					XXX*005/XXX*13		scale 1:1		WITH RETENTION NICKS
					XXXX*0020/XXX*051				dwg no
				dr	J.W. BAIR	1992-08-03			sheet 4 of 6
				enrg	E. IORFIDO	1992-08-03			47310
				chr	E. IORFIDO	1992-08-03			A4
				appd	E. IORFIDO	1992-08-03			type
sheet	revision								CUSTOMER Drawing
index	sheet								

B

B



PRODUCT NUMBER NOTE 20	CONTACT AREA DIM A	DIM H	OVERALL LENGTH DIM L	DIM R	PLATING CODE
47356-000	.698 / 17.73	.718 / 18.24	1.485 / 37.72	.705 / 17.91	3
47356-000LF	.698 / 17.73	.718 / 18.24	1.485 / 37.72	.705 / 17.91	3
47357-000	.228 / 5.79	.248 / 6.30	.370 / 9.40	.060 / 1.52	3
47357-000LF	.228 / 5.79	.248 / 6.30	.370 / 9.40	.060 / 1.52	3
47358-000	.573 / 14.55	.593 / 15.06	.895 / 22.73	.240 / 6.10	3
47358-000LF	.573 / 14.55	.593 / 15.06	.895 / 22.73	.240 / 6.10	3
47359-000	.448 / 11.38	.468 / 11.89	.590 / 14.99	.060 / 1.52	3
47359-000LF	.448 / 11.38	.468 / 11.89	.590 / 14.99	.060 / 1.52	3
47359-001	.448 / 11.38	.468 / 11.89	.590 / 14.99	.060 / 1.52	1
47359-001LF	.448 / 11.38	.468 / 11.89	.590 / 14.99	.060 / 1.52	1
47600-000	.485 / 12.32	.505 / 12.83	.960 / 24.38	.393 / 9.98	OBSOLETE
47600-000LF	.485 / 12.32	.505 / 12.83	.960 / 24.38	.393 / 9.98	4
47762-000	.380 / 9.65	.400 / 10.16	.522 / 13.26	.060 / 1.52	1
47762-000LF	.380 / 9.65	.400 / 10.16	.522 / 13.26	.060 / 1.52	1
47799-000	.583 / 14.81	.603 / 15.32	1.000 / 25.40	.335 / 8.51	1
47799-000LF	.583 / 14.81	.603 / 15.32	1.000 / 25.40	.335 / 8.51	1
47800-000	.520 / 13.21	.540 / 13.72	.912 / 23.16	.320 / 8.13	1
47800-000LF	.520 / 13.21	.540 / 13.72	.912 / 23.16	.320 / 8.13	1
47804-000	.558 / 14.17	.578 / 14.68	.700 / 17.78	.060 / 1.52	3
47804-000LF	.558 / 14.17	.578 / 14.68	.700 / 17.78	.060 / 1.52	3
47816-000	.615 / 15.62	.628 / 15.95	1.010 / 25.65	.320 / 8.13	3
47816-000LF	.615 / 15.62	.628 / 15.95	1.010 / 25.65	.320 / 8.13	3
47824-000	.323 / 8.20	.343 / 8.71	.465 / 11.81	.060 / 1.52	OBSOLETE
47824-000LF	.323 / 8.20	.343 / 8.71	.465 / 11.81	.060 / 1.52	4
47868-000	SUPERCEDED BY 48031-000				
47870-000	SUPERCEDED BY 48034-000				
47871-000	SUPERCEDED BY 48033-000				
47998-000	.380 / 9.65	.400 / 10.16	.710 / 18.03	.248 / 6.30	3
47998-000LF	.380 / 9.65	.400 / 10.16	.710 / 18.03	.248 / 6.30	3
48004-000	.308 / 7.82	.328 / 8.33	.450 / 11.43	.060 / 1.52	OBSOLETE
48004-000LF	.308 / 7.82	.328 / 8.33	.450 / 11.43	.060 / 1.52	4
48005-000	SUPERCEDED BY 48035-000				
48006-000	SUPERCEDED BY 48036-000				

PRODUCT NUMBER NOTE 20	CONTACT AREA DIM A	DIM H	OVERALL LENGTH DIM L	DIM R	PLATING CODE
48008-000	.255 / 6.48	.275 / 6.99	.772 / 19.61	.435 / 11.05	3
48008-000LF	.255 / 6.48	.275 / 6.99	.772 / 19.61	.435 / 11.05	3
48009-000	.255 / 6.48	.275 / 6.99	.642 / 16.31	.305 / 7.75	3
48009-000LF	.255 / 6.48	.275 / 6.99	.642 / 16.31	.305 / 7.75	3
48010-000	.651 / 16.54	.671 / 17.04	.793 / 20.14	.060 / 1.52	1
48010-000LF	.651 / 16.54	.671 / 17.04	.793 / 20.14	.060 / 1.52	1
48011-000	.500 / 12.70	.520 / 13.21	.640 / 16.26	.058 / 1.47	OBSOLETE
48011-000LF	.500 / 12.70	.520 / 13.21	.640 / 16.26	.058 / 1.47	4
48019-000	.250 / 6.35	.270 / 6.86	.572 / 14.53	.240 / 6.10	1
48019-000LF	.250 / 6.35	.270 / 6.86	.572 / 14.53	.240 / 6.10	1
48020-000	.250 / 6.35	.270 / 6.86	.390 / 9.91	.058 / 1.47	1
48020-000LF	.250 / 6.35	.270 / 6.86	.390 / 9.91	.058 / 1.47	1
48021-000	.750 / 19.05	.770 / 19.56	.892 / 22.66	.060 / 1.52	1
48021-000LF	.750 / 19.05	.770 / 19.56	.892 / 22.66	.060 / 1.52	1
48022-000	.380 / 9.65	.400 / 10.16	.880 / 22.35	.418 / 10.62	1
48022-000LF	.380 / 9.65	.400 / 10.16	.880 / 22.35	.418 / 10.62	1
48028-000	.280 / 7.11	.300 / 7.62	.552 / 14.02	.190 / 4.83	1
48028-000LF	.280 / 7.11	.300 / 7.62	.552 / 14.02	.190 / 4.83	1
48031-000	.583 / 14.81	.603 / 15.32	1.075 / 27.31	.410 / 10.41	1
48031-000LF	.583 / 14.81	.603 / 15.32	1.075 / 27.31	.410 / 10.41	1
48032-001	.558 / 14.17	.578 / 14.68	.700 / 17.78	.060 / 1.52	1
48032-001LF	.558 / 14.17	.578 / 14.68	.700 / 17.78	.060 / 1.52	1
48033-000	.390 / 9.91	.410 / 10.41	1.075 / 27.31	.603 / 15.32	1
48033-000LF	.390 / 9.91	.410 / 10.41	1.075 / 27.31	.603 / 15.32	1
48034-000	.240 / 6.10	.260 / 6.60	.732 / 18.59	.410 / 10.41	1
48034-000LF	.240 / 6.10	.260 / 6.60	.732 / 18.59	.410 / 10.41	1
48035-000	.630 / 16.00	.650 / 16.51	1.122 / 28.50	.410 / 10.41	1
48035-000LF	.630 / 16.00	.650 / 16.51	1.122 / 28.50	.410 / 10.41	1
48036-000	.390 / 9.91	.410 / 10.41	1.122 / 28.50	.650 / 16.51	1
48036-000LF	.390 / 9.91	.410 / 10.41	1.122 / 28.50	.650 / 16.51	1
48042-000	.338 / 8.59	.358 / 9.09	.478 / 12.14	.058 / 1.47	1
48042-000LF	.338 / 8.59	.358 / 9.09	.478 / 12.14	.058 / 1.47	1

A

A

mat'l. code		surface		tolerance		projection		product family	
SEE NOTE 1		ASME Y14.5		ASME Y14.5				PIN PRODUCTS	
ltr	ecr no	dr	date	tolerances unless otherwise specified				title	
ER				angles	XX+01/XX+3		INCH/MM		BERGPOST® .200"[5.08]cc
					XXX+005/XXX+13		scale 1:1		WITH RETENTION NICKS
				0"±2'	XXXX+0020/XXX+051				dwg no
				dr	J.W. BAIR	1992-08-03			sheet 5 of 6
				enr	E. IORFIDO	1992-08-03			47310
				chr	E. IORFIDO	1992-08-03			A4
				appd	E. IORFIDO	1992-08-03			type
sheet	revision								CUSTOMER Drawing
index	sheet								

B

B



PRODUCT NUMBER NOTE 20	CONTACT AREA DIM A	DIM H	OVERALL LENGTH DIM L	DIM R	PLATING CODE
48081-000	.573 / 14.55	.593 / 15.06	.895 / 22.73	.240 / 6.10	OBSOLETE
48081-000LF	.573 / 14.55	.593 / 15.06	.895 / 22.73	.240 / 6.10	4
48084-000	.308 / 7.82	.328 / 8.33	.450 / 11.43	.060 / 1.52	1
48084-000LF	.308 / 7.82	.328 / 8.33	.450 / 11.43	.060 / 1.52	1
48087-000	.250 / 6.35	.270 / 6.86	.650 / 16.51	.318 / 8.08	1
48087-000LF	.250 / 6.35	.270 / 6.86	.650 / 16.51	.318 / 8.08	1
48089-000	.228 / 5.79	.248 / 6.30	.550 / 13.97	.240 / 6.10	OBSOLETE
48089-000LF	.228 / 5.79	.248 / 6.30	.550 / 13.97	.240 / 6.10	4
48114-001	.380 / 9.65	.400 / 10.16	.960 / 24.38	.498 / 12.65	OBSOLETE
48114-001LF	.380 / 9.65	.400 / 10.16	.960 / 24.38	.498 / 12.65	4
48122-000	.698 / 17.73	.718 / 18.24	1.000 / 25.40	.225 / 5.72	OBSOLETE
48122-000LF	.698 / 17.73	.718 / 18.24	1.000 / 25.40	.225 / 5.72	4
48124-000	.558 / 14.17	.578 / 14.68	.700 / 17.78	.060 / 1.52	OBSOLETE
48124-000LF	.558 / 14.17	.578 / 14.68	.700 / 17.78	.060 / 1.52	4
48179-000	.755 / 19.18	.775 / 19.69	1.260 / 32.00	.420 / 10.67	1
48179-000LF	.755 / 19.18	.775 / 19.69	1.260 / 32.00	.420 / 10.67	1
48206-000	.228 / 5.79	.248 / 6.30	.368 / 9.35	.058 / 1.47	OBSOLETE
48206-000LF	.228 / 5.79	.248 / 6.30	.368 / 9.35	.058 / 1.47	4
48217-000	.400 / 10.16	.420 / 10.67	.892 / 22.66	.410 / 10.41	1
48217-000LF	.400 / 10.16	.420 / 10.67	.892 / 22.66	.410 / 10.41	1
48218-000	.630 / 16.00	.650 / 16.51	.770 / 19.56	.058 / 1.47	1
48218-000LF	.630 / 16.00	.650 / 16.51	.770 / 19.56	.058 / 1.47	1
48219-000	.583 / 14.81	.603 / 15.32	1.075 / 27.31	.410 / 10.41	9
48219-000LF	.583 / 14.81	.603 / 15.32	1.075 / 27.31	.410 / 10.41	9
48220-000	.558 / 14.17	.578 / 14.68	.700 / 17.78	.060 / 1.52	9
48220-000LF	.558 / 14.17	.578 / 14.68	.700 / 17.78	.060 / 1.52	9
48221-000	.390 / 9.91	.410 / 10.41	1.075 / 27.31	.603 / 15.32	9
48221-000LF	.390 / 9.91	.410 / 10.41	1.075 / 27.31	.603 / 15.32	9
48222-000	.240 / 6.10	.260 / 6.60	.732 / 18.59	.410 / 10.41	9
48222-000LF	.240 / 6.10	.260 / 6.60	.732 / 18.59	.410 / 10.41	9
48223-000	.630 / 16.00	.650 / 16.51	1.122 / 28.50	.410 / 10.41	9
48223-000LF	.630 / 16.00	.650 / 16.51	1.122 / 28.50	.410 / 10.41	9
48224-000	.390 / 9.91	.410 / 10.41	1.122 / 28.50	.650 / 16.51	9
48224-000LF	.390 / 9.91	.410 / 10.41	1.122 / 28.50	.650 / 16.51	9
48225-000	.308 / 7.82	.328 / 8.33	.450 / 11.43	.060 / 1.52	9
48225-000LF	.308 / 7.82	.328 / 8.33	.450 / 11.43	.060 / 1.52	9

PRODUCT NUMBER NOTE 20	CONTACT AREA DIM A	DIM H	OVERALL LENGTH DIM L	DIM R	PLATING CODE
48226-000	.400 / 10.16	.420 / 10.67	.892 / 22.66	.410 / 10.41	9
48226-000LF	.400 / 10.16	.420 / 10.67	.892 / 22.66	.410 / 10.41	9
48227-000	.630 / 16.00	.650 / 16.51	.770 / 19.56	.058 / 1.47	9
48227-000LF	.630 / 16.00	.650 / 16.51	.770 / 19.56	.058 / 1.47	9
48228-000	.630 / 16.00	.650 / 16.51	1.122 / 28.50	.410 / 10.41	OBSOLETE
48228-000LF	.630 / 16.00	.650 / 16.51	1.122 / 28.50	.410 / 10.41	4
48265-000	.630 / 16.00	.650 / 16.51	1.122 / 28.50	.410 / 10.41	3
48265-000LF	.630 / 16.00	.650 / 16.51	1.122 / 28.50	.410 / 10.41	3
48267-000	.280 / 7.11	.300 / 7.62	.552 / 14.02	.190 / 4.83	OBSOLETE
48267-000LF	.280 / 7.11	.300 / 7.62	.552 / 14.02	.190 / 4.83	4
48277-000	.500 / 12.70	.520 / 13.21	.640 / 16.26	.058 / 1.47	1
48277-000LF	.500 / 12.70	.520 / 13.21	.640 / 16.26	.058 / 1.47	1
48278-000	.573 / 14.55	.593 / 15.06	.895 / 22.73	.240 / 6.10	9
48278-000LF	.573 / 14.55	.593 / 15.06	.895 / 22.73	.240 / 6.10	9
48305-000	.485 / 12.32	.505 / 12.83	.960 / 24.38	.393 / 9.98	1
48305-000LF	.485 / 12.32	.505 / 12.83	.960 / 24.38	.393 / 9.98	1

A

A

B

B

mat'l. code SEE NOTE 1	surface ASME Y14.5	tolerance ASME Y14.5	projection 	product family PIN PRODUCTS
ltr ecr no	dr date	tolerances unless otherwise specified		title BERGPOST® .200"[5.08]cc WITH RETENTION NICKS
ER		angles XX*.01/XX*.3 XXX*.005/XXX*.13	INCH/MM	dwg no 47310
		0'±2'	scale 1:1	sheet 6 of 6 size A4
		dr T. BREWBAKER 2008-08-29		type CUSTOMER Drawing
		enrg T. BREWBAKER 2008-08-29		
		chr T. BREWBAKER 2008-08-29		
		appd T. BREWBAKER 2008-08-29		
sheet index	revision sheet			