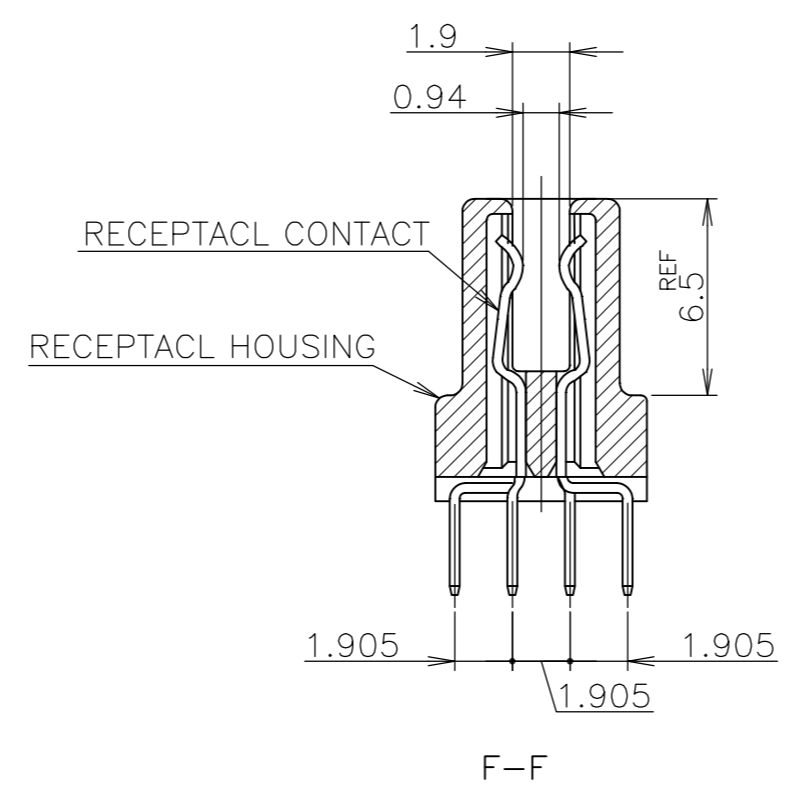
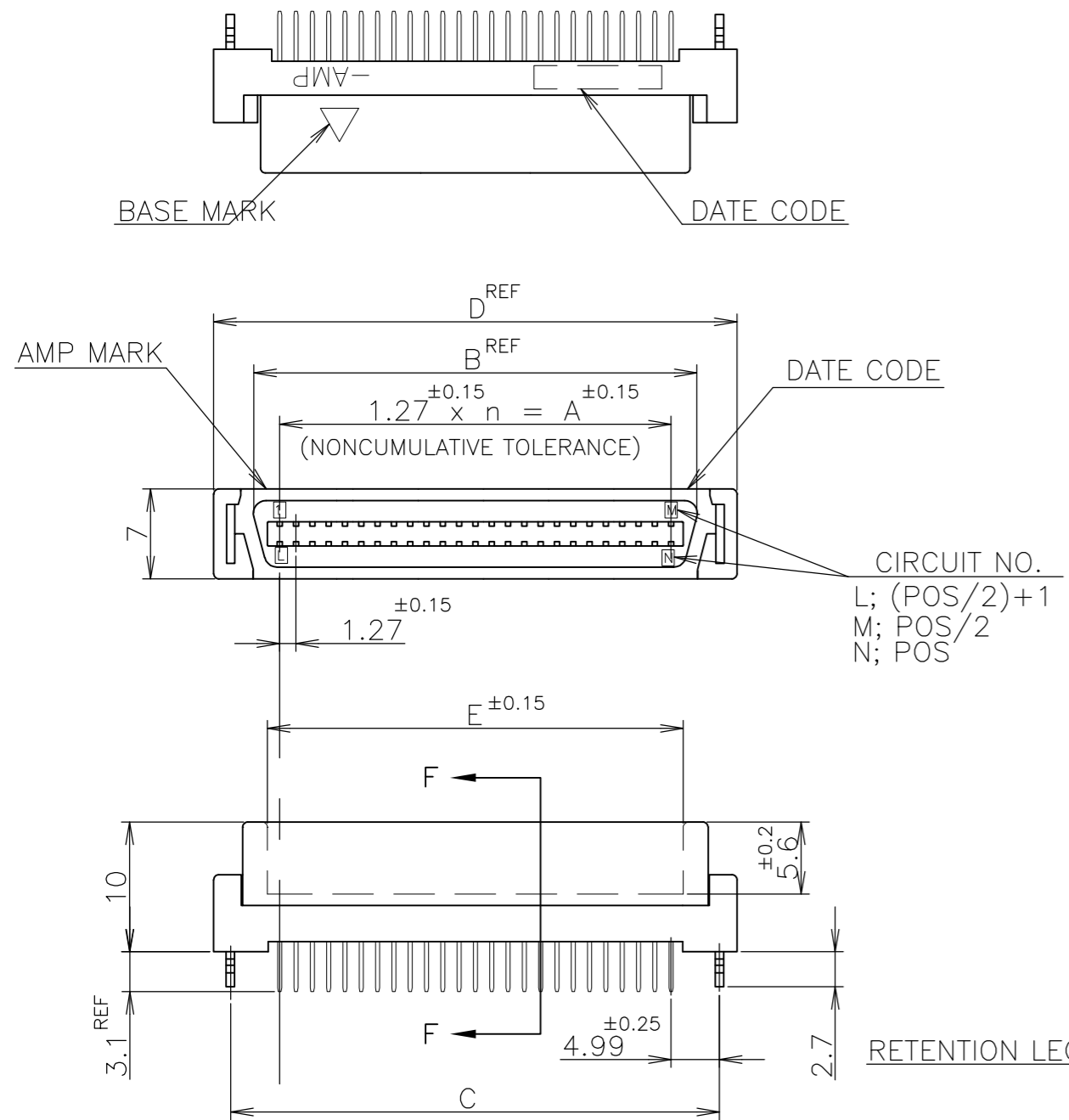
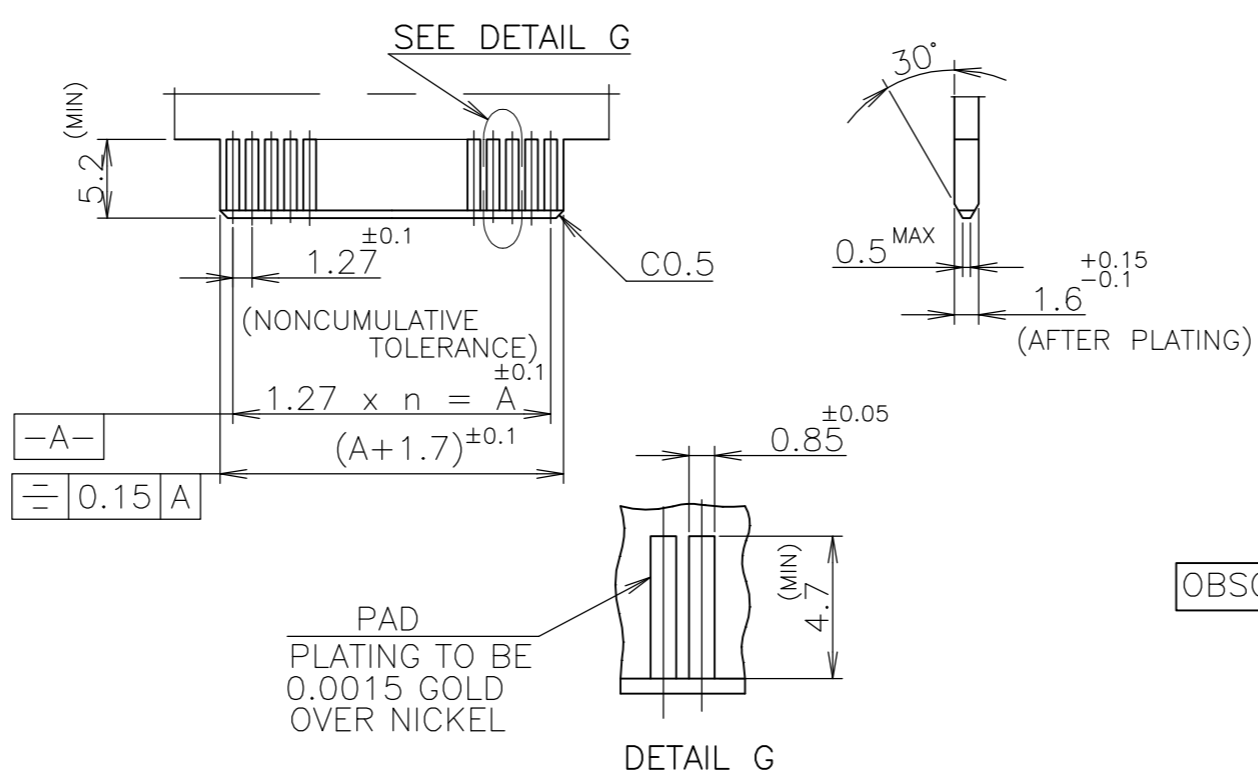
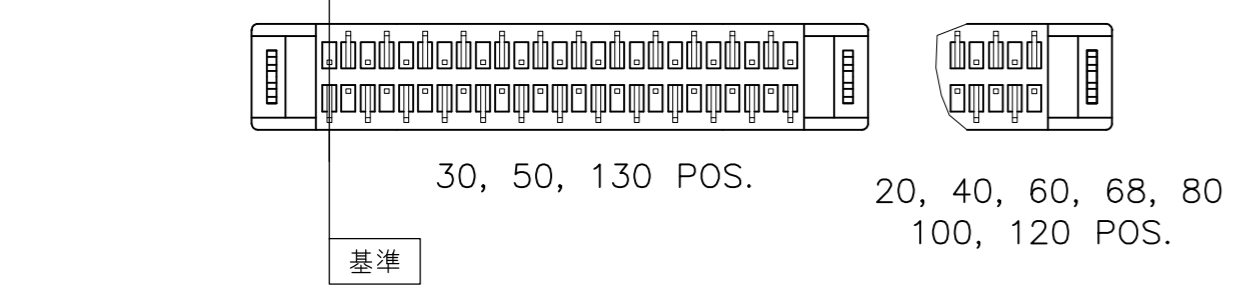


THIS DRAWING IS UNPUBLISHED. RELEASED FOR PUBLICATION OCT., 1988.
 © COPYRIGHT 1988 By - ALL RIGHTS RESERVED.

LOC		DIST		REVISIONS				
P	LTR	DESCRIPTION			DATE	DWN	APVD	
ES	00	B		PER ECO-12-012349	14MAR13	BL	AC	



- 1 NUMBER "n" IS COUNTED FROM DATUM (CIRCUIT NO.1 IS "AMP" MARK SIDE.)
- △ MATERIAL: HOUSING, 66 NYLON (GF) UL 94V-0, BLACK.
: CONTACT, PHOSPHOR BRONZE.
: RETENTION LEG; BRASS.
- △ FINISH: CONTACT; Au AT CONTACT AREA (SEE TABLE), TIN AT TINE, OVER Ni.
RETENTION LEG; TIN UNDER Ni.
- △ P.C. BOARD THK MUST BE 1.6 ±0.15 FOR CARD EDGE CONNECTOR



POS.	n	A	B	C	D	E
6-	-2	130	64	81.28	86.82	91.25
6-	-1	120	59	74.93	80.47	84.90
6-	-0	100	49	62.23	67.77	72.20
5-	-9	80	39	49.53	55.07	59.50
5-	-8	68	33	41.91	47.45	51.88
5-	-7	60	29	36.83	42.37	46.80
5-	-6	50	24	30.48	36.02	40.45
5-	-5	40	19	24.13	29.67	34.10
5-	-3	30	14	17.78	23.32	27.75
5-	-1	20	9	11.43	16.97	21.40
4-	-2	130	64	81.28	86.82	91.25
4-	-1	120	59	74.93	80.47	84.90
4-	-0	100	49	62.23	67.77	72.20
3-	-9	80	39	49.53	55.07	59.50
3-	-8	68	33	41.91	47.45	51.88
3-	-7	60	29	36.83	42.37	46.80
3-	-6	50	24	30.48	36.02	40.45
3-	-5	40	19	24.13	29.67	34.10
3-	-3	30	14	17.78	23.32	27.75
3-	-1	20	9	11.43	16.97	21.40
1-	-2	130	64	81.28	86.82	91.25
1-	-1	120	59	74.93	80.47	84.90
1-	-0	100	49	62.23	67.77	72.20
	-9	80	39	49.53	55.07	59.50
	-8	68	33	41.91	47.45	51.88
	-7	60	29	36.83	42.37	46.80
	-6	50	24	30.48	36.02	40.45
	-5	40	19	24.13	29.67	34.10
	-3	30	14	17.78	23.32	27.75
5175475-1	0.0002	20	9	11.43	16.97	21.40
PART NO.	Au PLATE	POS.	n	A	B	C

LEAD FREE

GENERAL TOLERANCE
 10 ≥ : ±0.2
 30 > 10: ±0.25
 100 ≥ > 30: ±0.3
 ANGLES: ±3°

THIS DRAWING IS A CONTROLLED DOCUMENT.

DIMENSIONS: mm

TOLERANCES UNLESS OTHERWISE SPECIFIED:

0 PLC	±
1 PLC	±
2 PLC	±
3 PLC	±
4 PLC	±
ANGLES	±

MATERIAL: △
FINISH: △

APPROVED: Julyee Zhu (DWN), Steven Yao (CHK), Ikuo Enomoto (APVD)

DATE: 20AUG2004

NAME: Steven Yao

PRODUCT SPEC: 108-60038

APPLICATION SPEC

WEIGHT

CUSTOMER DRAWING

TE Connectivity

AMP CHAMP .050 CONNECTOR (B-T-B) RECEPTACLE CONNECTOR (VERTICAL WITH RETENTION LEG)

SCALE: NTS

SHEET: 1 OF 1

REV: B