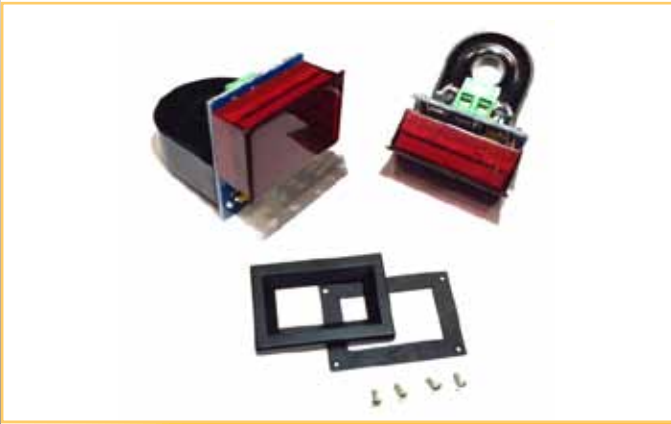


#### FEATURES & DESCRIPTION

- ▶ Available in easy to read RED, BLUE or GREEN LED
- ▶ Powered by 85-264 Vac

The DLA-ACA Series utilizes an onboard CT to provide a digital read out of the monitored current.



#### SPECIFICATIONS

##### DISPLAY

Numeral Size: .37" (9.4 mm)  
 Overrange: three lower order digits blank  
 Supply Voltage: 85-264 Vac, 30-50 mA

##### INPUTS

Input Ranges: 0-1.999A, 19.99A, 50.0A, 100.0A

##### PERFORMANCE

Accuracy:  $\pm .5\% \pm 6$  counts  
 Sampling Rate: 2.5 per second

##### ENVIRONMENT

Operating Temperature: -10 to 50 °C  
 Max Humidity: 95% (non-condensing)

##### CONNECTION

power - screw terminals  
 input - thru-hole CT

#### ORDERING INFO

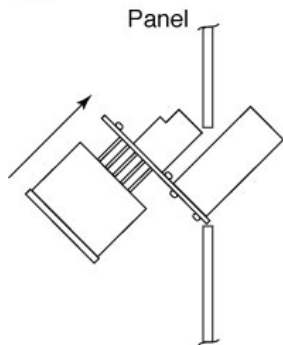
PART NUMBER	METER COLOR	METER INPUT
DLA20-ACA-R-1	RED	1.999A
DLA20-ACA-B-1	BLUE	1.999A
DLA20-ACA-G-1	GREEN	1.999A
DLA20-ACA-R-2	RED	19.99A
DLA20-ACA-B-2	BLUE	19.99A
DLA20-ACA-G-2	GREEN	19.99A
DLA20-ACA-R-3	RED	50.0A
DLA20-ACA-B-3	BLUE	50.0A
DLA20-ACA-G-3	GREEN	50.0A
DLA20-ACA-R-4	RED	100.0A
DLA20-ACA-B-4	BLUE	100.0A
DLA20-ACA-G-4	GREEN	100.0A

##### ACCESSORIES INCLUDED

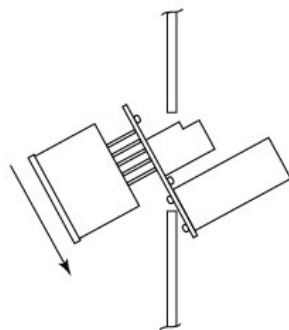
DLA-BEZ-20-G ..... Bezel Assembly

#### PANEL INSTALLATION

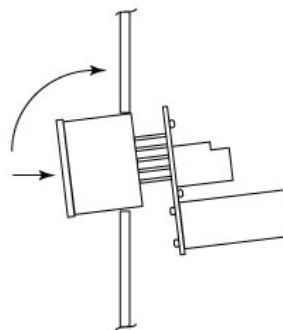
Step 1



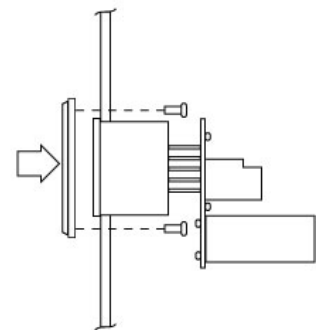
Step 2



Step 3



Step 4



# Specifications Installation and Operating Instructions LED Digital Panel Meters

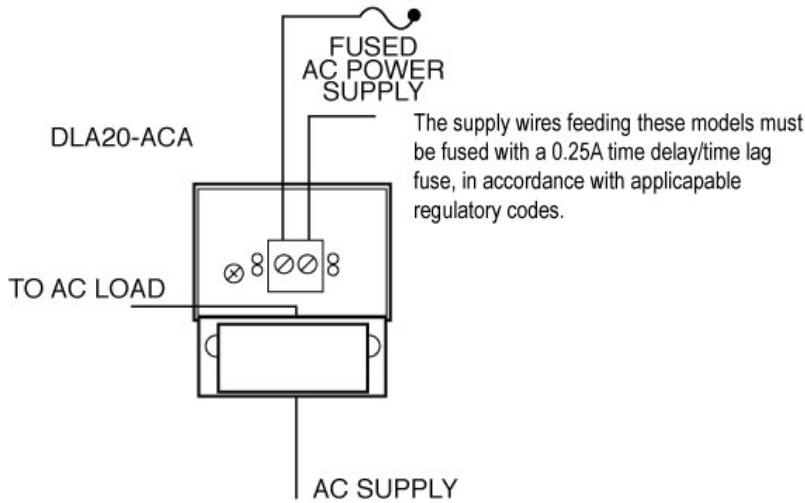
# DLA20-ACA



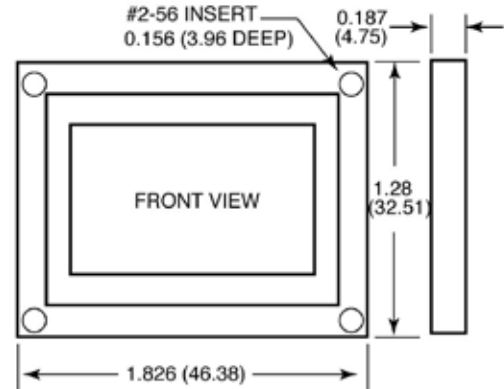
LED Display AC Ammeters with Built-in Current Transformers

## DIMENSIONS & WIRING

### TYPICAL WIRING DIAGRAM



### BEZEL INSTALLATION AND RECOMMENDED DRILL AND PANEL CUTOUT



### MECHANICAL SPECIFICATIONS DLA20-ACA

