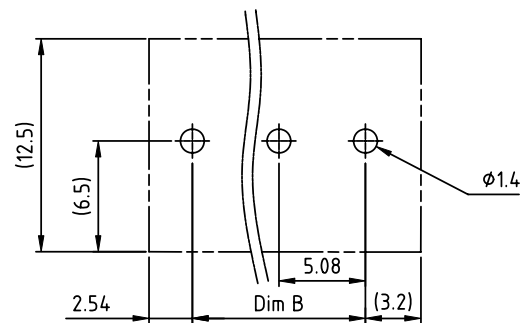
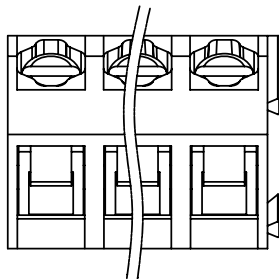
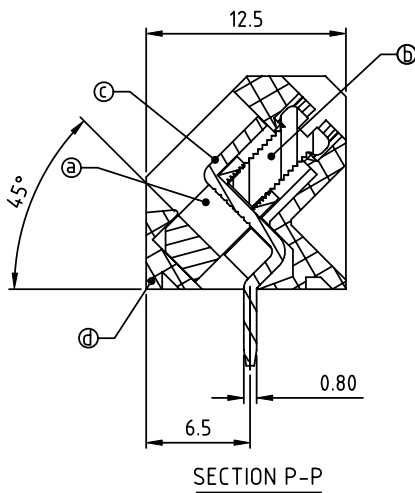
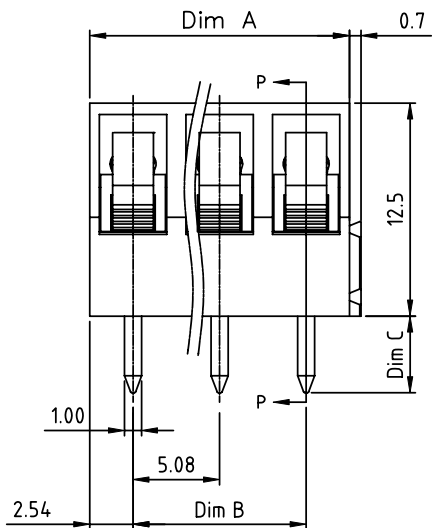




PRODUCT NUMBER	PITCH
TGxx51xxB0J0G	5.08 mm



RECOMMENDED P.C.B LAYOUT
TOP VIEW



- Material:
- ItemⒶClamp: Brass,Ni plated
 - ItemⒸTerminal screw: Steel Zinc plating "--" slot type.
 - ItemⒹSolder pin: Brass, Tin plated
 - ItemⒺTerminal housing: Thermoplastic (UL94V-0)
- Electrical: UL/VDE
- Voltage rating: 300V/250V
 - Current rating: 15A/10A
 - Wire range: 0.34-4.0mm²
 - Solid wire(AWG): 12-24
 - Stranded wire(AWG): 12-24
 - Torque: 3.5 Lb-In / 0.4 N.m
 - Screw: M2.5
 - Wire strip length: 6-7mm
 - Withstanding Voltage: 1.6 KV/2 KV
 - Operating temperature: -40°C to +115°C
 - Soldering temperature: 260°C±5°C/5 Sec
 - Safety Approval:

N = Number of poles
Dim A=Nx5.08
Dim B=(N-1)x5.08

poles	Tolerance
2-6p	±0.15
7-12p	±0.20
13-18p	±0.30
19-24p	±0.40

PART NO.: TG xx 5 1 x x B 0J0 G

	Body Color	DIM C Length	RoHS compliant
End stackable	0 Black (RAL9005)	0 4.5mm	(lead<4%)
No. of poles	2 Red (RAL3001/D)	3 3.2mm	In copper Alloy
02 2 poles	3 Orange(RAL2011/P)		
03 3 poles	4 Yellow(RAL1018/A)		
...	5 Green(RAL6018/T)		
24 24 poles	6 Blue (RAL5015/A)		
	8 Grey(RAL7035/D)		
	9 White(RAL1102)		
	C Green(RAL6018/U)		

mat'l. code		surface ASME Y14.5	tolerance ASME Y14.5	projection	product family
ltr	ecn no	dr	date	tolerances unless otherwise specified	TERMINAL BLOCK
				angles ϕ	title
				MM	TERMINAL BLOCK
				scale	RISING CLAMP,45D WIRE INLET,END STACKABLE
		dr	EVIN ZHONG	041514	dwg no
		engr	EVIN ZHONG	041514	sheet 1 of 1
		chr	HANKE FENG	041514	size
		appd	SHI JUN	041514	TGxx51xxB0J0G
					A4
					type
					CUSTOMER Drawing
sheet index	revision	A			
	sheet	1			