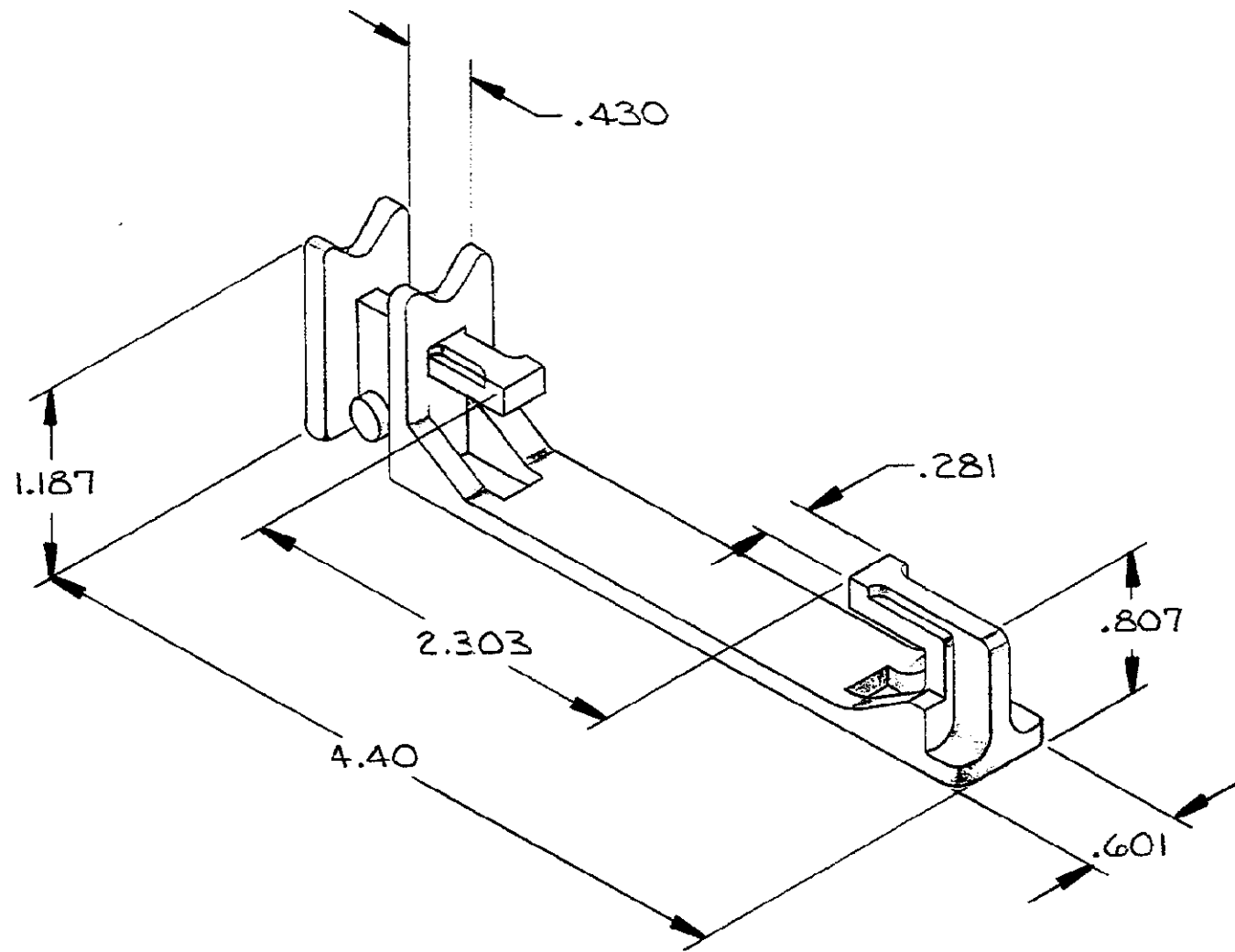


© COPYRIGHT 1980 BY AMP INCORPORATED, HARRISBURG, PA.  
ALL INTERNATIONAL RIGHTS RESERVED. AMP INCORPORATED PRODUCTS  
COVERED BY U. S. AND FOREIGN PATENTS AND/OR PATENTS PENDING.

REVISIONS						
P	F	ZONE	LTR	DESCRIPTION	DATE	APPROVED
0	✓		Δ	RELEASED	4-24-80	<i>[Signature]</i>



1. ALL DIMENSIONS SHOWN ARE FOR REFERENCE ONLY UNLESS OTHERWISE SPECIFIED.

229621-1 AS SHOWN

UNLESS OTHERWISE SPECIFIED DIMENSIONS ARE IN INCHES. TOLERANCES ON: DECIMALS ± # ANGLES ± #		CONTRACT NO		AMP INCORPORATED Harrisburg, Pa.	
MATERIAL THERMOPLASTIC		CHK <i>[Signature]</i> 4/24/80 CHK <i>[Signature]</i> 4/25/80		NAME SLIDE, INDEX, 50 POSN	
FINISH #		APPD <i>[Signature]</i> 4-25-80 APPD <i>[Signature]</i> 4-25-80		SIZE B	CODE IDENT NO 00779
		DSGN APPD		DRAWING NO 229621	
		OTHER APPD		SCALE 1:1	SHEET 1 OF 1